



CORE BENZIN BRÆNDEKLØVER

- 8T 196CC 4-TAKT 4,8KW MED STATIV

RESERVEDELSKATALOG TIL:

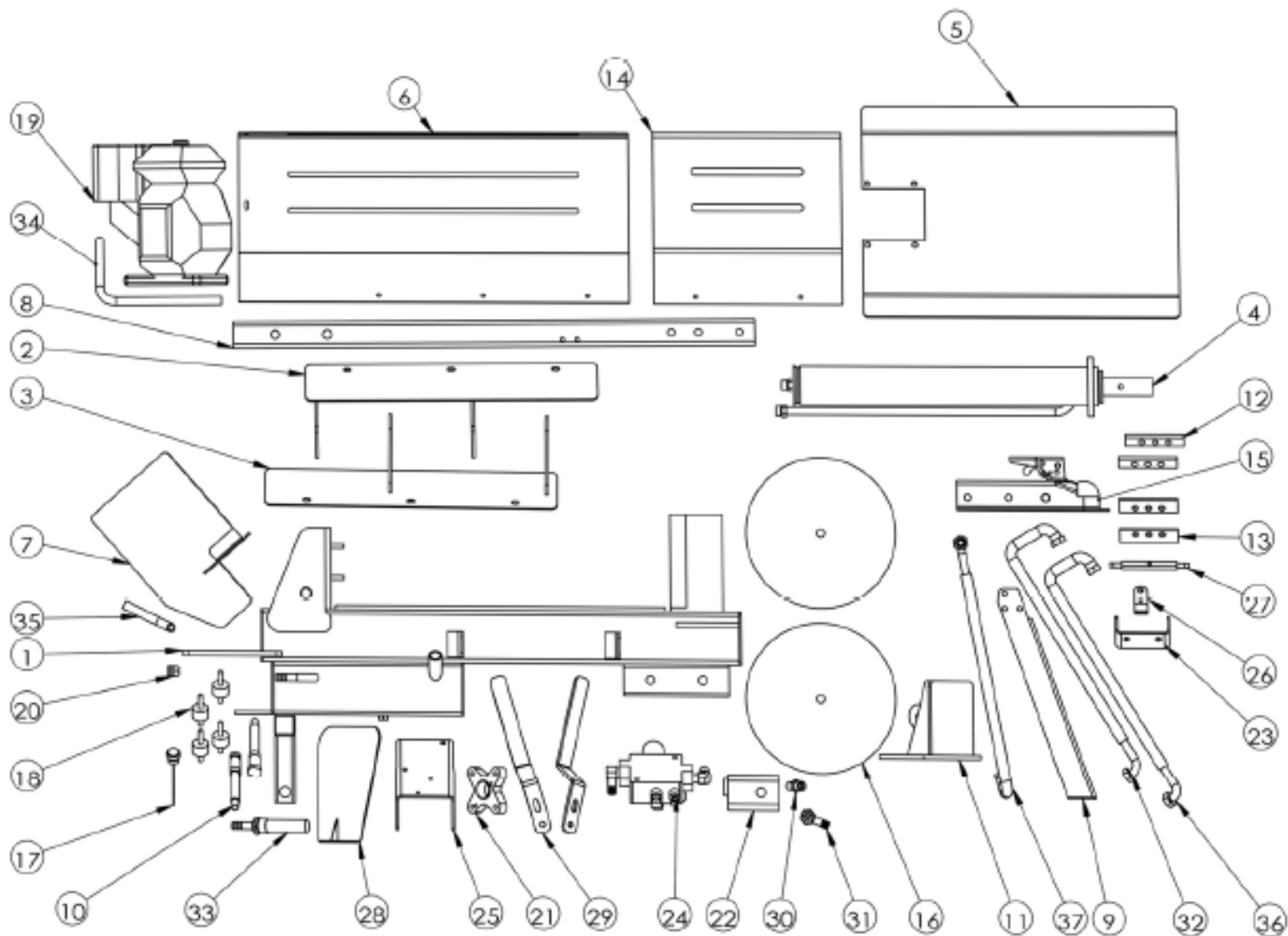
9071967 CORE BENZIN BRÆNDEKLØVER 8T



03.12.2025 (V1)

Rev. 04.05.2026

FIGUR 1

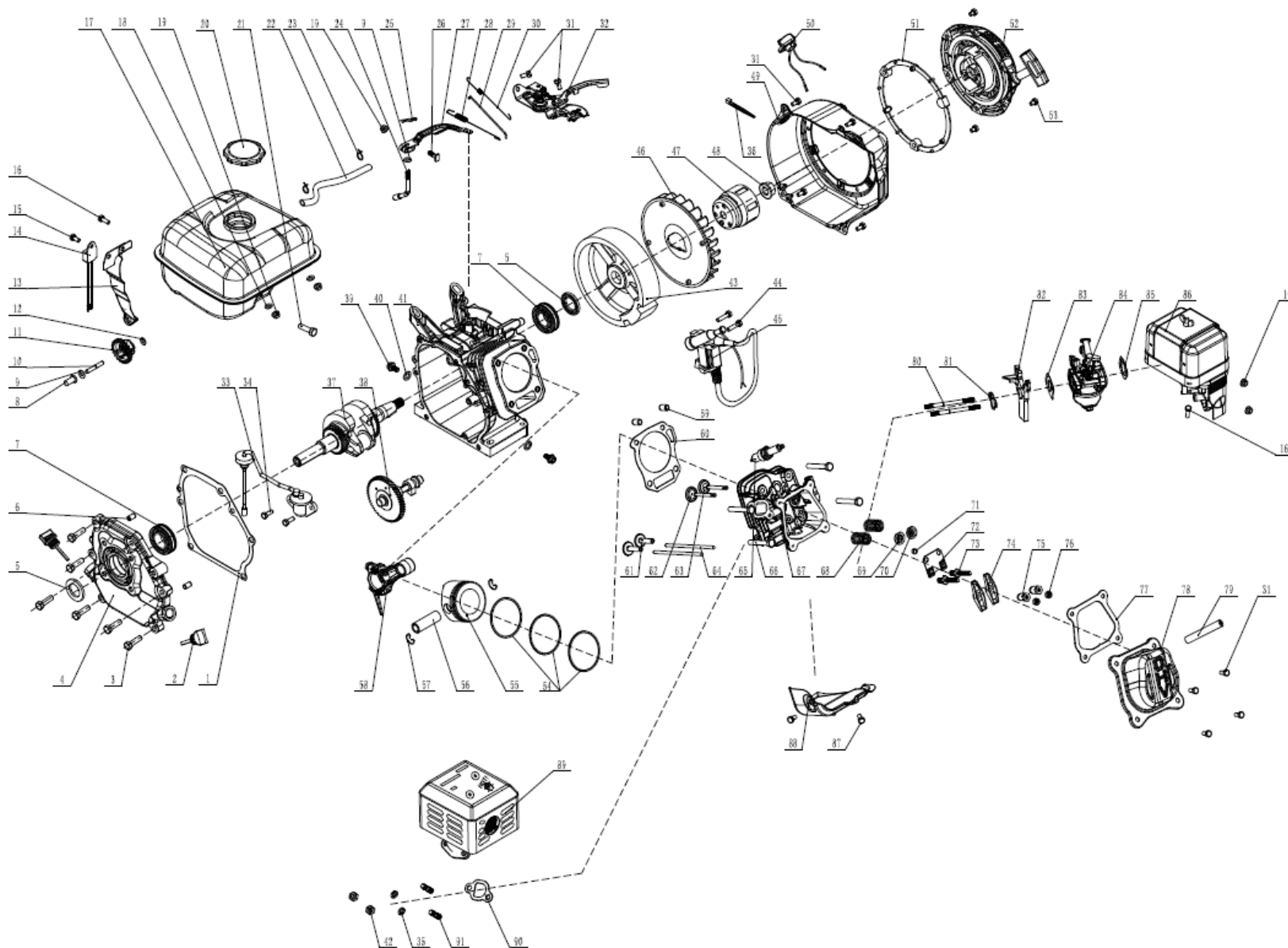


DELE TIL FIG 1

Pos	Varenr / item no.	Varenavn	Item name	OE	stk/pcs
1	N/A	HOVEDDRAMME	WORK TABLE	1HLS0TGJ-1	1
2	N/A	STØTTERAMME, VENSTRE	WOOD SUPPORTING FRAME (LEFT)	1HLS0TGJ-2	1
3	N/A	STØTTERAMME, HØJRE	WOOD SUPPORTING FRAME (RIGHT)	1HLS0TGJ-3	1
4	9074042	HYDRAULIKCYLINDER	OIL CYLINDER	1HLS0TGJ-4	1
5	N/A	HOVEDDRAMME FORLÆNGERPLADE	WOOD CATCHER	1HLS0TGJ-5	1
6	N/A	SIKKERHEDSSKJOLD, STOR	BIG COVER	1HLS0TGJ-6	1
7	N/A	SIKKERHEDSSKJOLD, SIDEPLADE	SIDE COVER	1HLS0TGJ-7	1
8	N/A	TRÆKAKSEL	TOWING BAR	1HLS0TGJ-8	1
9	9074043	FORRESTE STØTTEBEN	FRONT LEG	1HLS0TGJ-9	1
10	N/A	HJULAKSEL	WHEEL AXLE	1HLS0TGJ-10	2
11	N/A	FOD	PUSHING PLATE	1HLS0TGJ-11	1
12	9074044	STYR TIL FOD	GUIDING LINEN	1HLS0TGJ-12	2
13	9074045	MELLEMSTYKKE TIL STYR	GUIDING SUPPORT	1HLS0TGJ-13	2
14	N/A	SIKKERHEDSSKJOLD, LILLE	SMALL COVER	1HLS0TGJ-14	1
15	N/A	ANHÆNGERTRÆK	COUPLER	1HLS0TGJ-15	1
16	9074046	HJUL	WHEEL	1HLS0TGJ-16	2
17	9074047	OLIEMÅLEPIND	OIL LEVEL INDICATOR	1HLS0TGJ-17	1
18	N/A	GUMMIDÆMPER	SHOCK PAD FOR ENGINE	1HLS0TGJ-18	4
19	N/A	MOTOR	ENGINE	1HLS0TGJ-19	1
20	N/A	BØSNING	COUPLING FLANGE	1HLS0TGJ-20	1
21	9074048	GUMMIKOBLING	CONNECTION PLATE FOR ENGINE	1HLS0TGJ-21	1
22	9074049	HYDRAULIKPUMPE	PUMP	1HLS0TGJ-22	1
23	N/A	VENTILBLOK HOVEDDRAMMEBESLAG	VALVE BRACKET	1HLS0TGJ-23	1
24	9074051	VENTILBLOK	VALVE ASSEMBLY	1HLS0TGJ-24	1
25	N/A	VENTILBLOK BESLAG	VALVE SEAT	1HLS0TGJ-25	1
26	N/A	VENTILBLOK BESLAG, LILLE	VALVE HINGE	1HLS0TGJ-26	1
27	N/A	AKSEL TIL BETJENINGSHÅNDTAG	HORIZONTAL FLAT SHAFT	1HLS0TGJ-27	1
28	N/A	SIKKERHEDSPLADE V BETJENINGSHÅNDTAG	SAFETY GUARD	1HLS0TGJ-28	1
29	N/A	BETJENINGSHÅNDTAG	OPERATION HANDLE	1HLS0TGJ-29	2
30	N/A		JOINT 1	1HLS0TGJ-30	1

Pos	Varenr / item no.	Varenavn	Item name	OE	stk/pcs
31	N/A		<i>JOINT 2</i>	<i>1HLS0TGJ-31</i>	<i>1</i>
32	9074052	HYDRAULIKSLANGE MELLE VENTILBLOK OG HYDRAULIKCYLINDER BUND	<i>HIGH PRESSURE HOSE BETWEEN CYLINDER BOTTOM AND VALVE</i>	<i>1HLS0TGJ-32</i>	<i>1</i>
33	9074053	OLIE FILTER	<i>OIL FILTER</i>	<i>1HLS0TGJ-33</i>	<i>1</i>
34	N/A	HYDRAULIKOLIE RETUR SLANGE	<i>OIL RETURN HOSE</i>	<i>1HLS0TGJ-34</i>	<i>1</i>
35	9074054	HYDRAULIKOLIE SUGE SLANGE	<i>OIL SUCTION HOSE</i>	<i>1HLS0TGJ-35</i>	<i>1</i>
36	9074055	HYDRAULIKSLANGE MELLE VENTILBLOK OG HYDRAULIKCYLINDER HOVED	<i>HIGH PRESSURE HOSE BETWEEN CYLINDER HEAD AND VALVE</i>	<i>1HLS0TGJ-36</i>	<i>1</i>
37	9074056	HYDRAULIKSLANGE MELLE VENTILBLOK OG HYDRAULIKPUMPE	<i>HIGH PRESSURE HOSE BETWEEN VALVE AND PUMP</i>	<i>1HLS0TGJ-37</i>	<i>1</i>

FIGUR 2



Kontakt
 Tlf Salgsafdeling: 7021 2626
 Tlf Teknisk support: 7696 2326

P. Lindberg A/S
 Sdr. Ringvej 1
 DK - 6600 Vejen

CORE BENZIN BRÆNDEKLØVER 8T
 www.p-lindberg.dk
 e-mail: salg@p-lindberg.dk

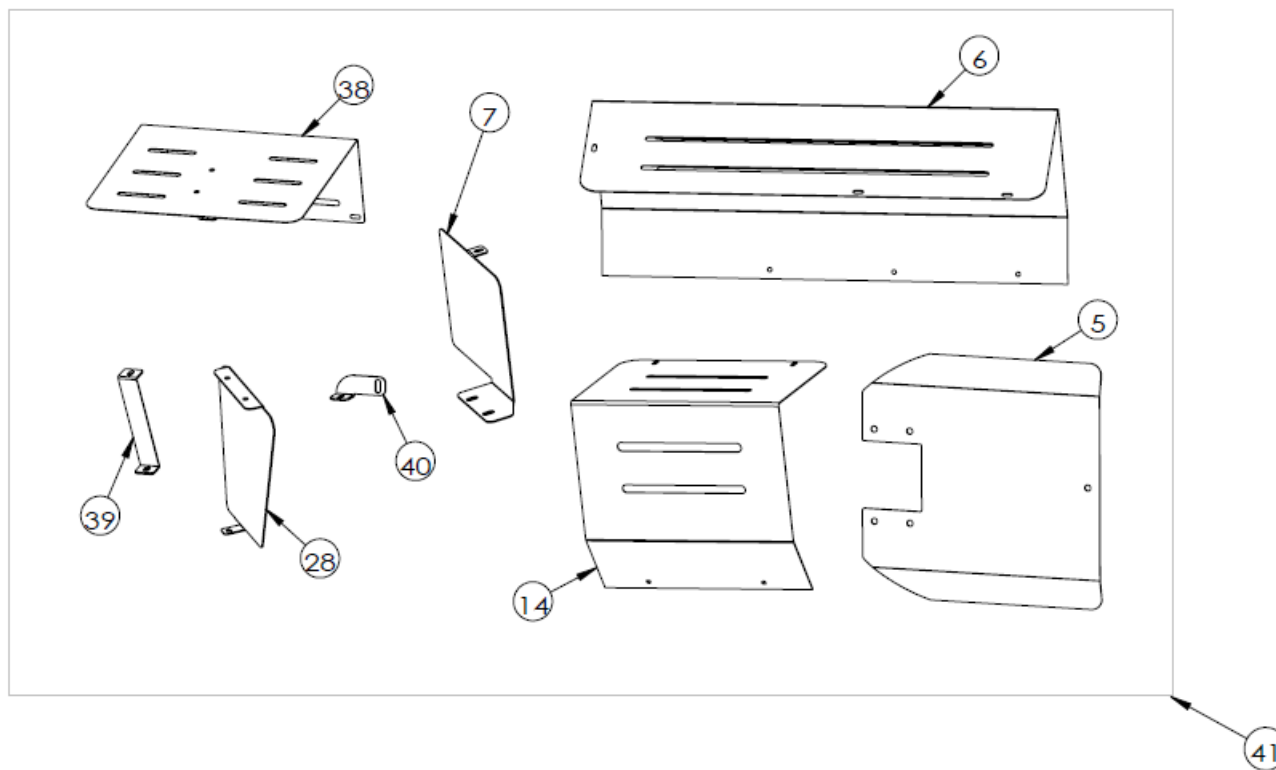
DELE TIL FIG 2

Pos	Varenr / item no.	Varenavn	Item name	OE	stk/pcs
1	9074057	PAKNING V KRUMTAPHUSDÆKSEL	LCT208 GASKET (CRANK CASE COVER)	BGH46935	1
2	9074058	OLIEMÅLEPIND, KOMPLET	LCT208 OIL GAUGE SET	BGH46904	2
3	N/A		PW200 CRANK CASE COVER	PGH46875-1	6
4	N/A		CRANKCASE COVER	BGH76850	1
5	9074059	PAKDÅSE 25X41.25X6	PW200 OIL SEAL (25X41.25X6)	BGH70926	2
6	N/A		DOWEL PIN, CRANKCASE COVER (Φ 8X14)	PGH41000-2	2
7	N/A		BEARING	BGH42125-1	2
8	N/A		GOVERNOR SLIDER	PGH45150-1	1
9	N/A		WASHER, GOVERNOR PADDLE	PGH75675-1	3
10	N/A		GOVERNOR GEAR SHAFT	PGH45200-1	1
11	N/A		GOVERNOR GEAR ASSEMBLY	PGH45125-1	1
12	N/A		PW200 WASHER (GOVERNOR GEAR SET)	BGH45225	1
13	N/A		PW200 FLYWHEEL COVER	BGH76150	1
14	N/A		PW200 OIL PROTECTOR	BGH74775	1
15	N/A		BOLT M6X8	BGS40019-1	1
16	N/A		BOLT M6X20	BGS40007-1	1
17	9074060	BRÆNDSTOFTANK	PW200 FUEL TANK	BGH73536	1
18	N/A		RUBBER GASKET, FUEL TANK	PGH43777-1	2
19	N/A		NUT M6	BGS20000-1	2
20	N/A		FUEL CAP	BGH73903-1	1
21	N/A		BOLT M6X30	BGS40011-1	1
22	N/A		PW200 FUEL TUBE	BGH73904	1
23	N/A		CLIP, FUEL HOSE	BGH43577-1	2
24	N/A		GOVERNOR PADDLE	BGH75650-1	1
25	N/A		LOCK PIN, GOVERNOR PADDLE	BGH75625-1	1
26	N/A		SQUARE BOLT	PGH45475-1	1
27	N/A		GOVERNOR ARM	BGH75576-1	1
28	N/A		GOVERNOR SPRING	PGH45501-2	1
29	N/A		LINKAGE, GOVERNOR	PGH45450-1	1
30	N/A		LOW IDLE RETURN SPRING	PGH45525-2	1
31	N/A		BOLT M6X12	BGS40003-1	10

Pos	Varenr / item no.	Varenavn	Item name	OE	stk/pcs
32	N/A		PW200 CONTROL ASSY (2019)	BGH75078	1
33	N/A		LOW OIL SENSOR	PGH44751-1	1
34	N/A		BOLT M6X16	BGS40006-1	2
35	N/A		SPRING WASHER Φ 8	BGS60004-1	2
36	N/A		NYLON TIES	BGG50500	1
37	N/A		PW200 CRANKSHAFT ASSY.-61	BGH72066	1
38	N/A		PW200 CAMSHAFT	BGH71900	1
39	N/A		BOLT, OIL DRAIN (M10X1.25)	PGH40975-1	2
40	N/A		FLAT WASHER, OIL DRAIN BOLT	PGH40951-2	2
41	N/A		CRANKCASE	BGH70900-1	1
42	N/A		NUT M8	BGS10004-1	2
43	N/A		PW200 FLYWHEEL	BGH72450	1
44	N/A		BOLT M6X25	BGS40009-1	2
45	9074061	TÆNDSPOLE	PW200 IGNITION COIL (135° SHIELD)	BGH74677	1
46	9074062	BLÆSEVINGE	PW200 COOLING FAN	BGH72500	1
47	N/A		STARTER CUP	BGH76125-1	1
48	N/A		PW200 NUT SPECIAL (M14X1.5)	BGH42475	1
49	N/A		PW200 FAN COVER	BGH76119	1
50	9074063	ON/OFF KONTAKT	PW200 ON/OFF SWITCH	BGH76283	1
51	N/A		PW200 RECOIL STARTER SPACER	BGH46750	1
52	9074064	REKYLSTART	RECOIL	BGH76028-1	1
53	N/A		BOLT M6X20	BGS40007-1	3
54	N/A		PISTON RING KIT	BGH71331-1	1
55	N/A		PISTON	BGH71255-1	1
56	N/A		PISTON PIN	PGH41276-1	1
57	N/A		PISTON PIN CLIP	PGH41300-1	2
58	N/A		CONNECTING ROD	PGH71500-1	1
59	N/A		DOWEL PIN, CYLINDER HEAD (Φ 10*16)	PGH41025-1	2
60	N/A		GASKET, CYLINDER HEAD	BGH70075-1	1
61	N/A		TAPPET	PGH40325-1	2
62	N/A		INTAKE VALVE	BGH70225-1	1
63	N/A		EXHAUST VALVE	BGH70125-1	1

Pos	Varenr / item no.	Varenavn	Item name	OE	stk/pcs
64	N/A		<i>PUSH ROD</i>	PGH40350-2	2
65	N/A		<i>SPARK PLUG</i>	PGH44734-1	1
66	N/A		<i>BOLT, CYLINDER HEAD (M8X55)</i>	PGH20050-1	4
67	N/A		<i>CYLINDER HEAD</i>	BGH70025-1	1
68	N/A		<i>VALVE SPRING</i>	PGH40100-1	2
69	N/A		<i>INTAKE VALVE SPRING RETAINER</i>	PGH40200-2	1
70	N/A		<i>EXHAUST VALVE SPRING RETAINER</i>	PGH40150-2	1
71	N/A		<i>EX. VALVE LASH CAP</i>	PGH40250-1	1
72	N/A		<i>PUSH ROD GUIDE PLATE</i>	PGH40276-1	1
73	N/A		<i>PW200 BOLT PIVOT</i>	BGH40475	2
74	N/A		<i>ROCKER ARM</i>	PGH40500-2	2
75	N/A		<i>PIVOT, ROCKER ARM</i>	PGH40550-3	2
76	N/A		<i>NUT, ROCKER ARM</i>	PGH40525-1	2
77	N/A		<i>GASKET, VALVE COVER</i>	PGH40675-2	1
78	N/A		<i>VALVE COVER</i>	BGH70660-1	1
79	N/A		<i>BREATHER HOSE</i>	PGH40776-1	1
80	N/A		<i>CARBURETOR STUD (M6X112)</i>	PGH44175-1	2
81	9074065	PAKNING V/CYLINDER	<i>PW200 GASKET (INSULATOR CARBURETOR)</i>	BGH44204	1
82	N/A		<i>PW200 INSULATOR CARBURETOR</i>	BGH44150	1
83	9074066	PAKNING V/KARBURATOR	<i>PW200 GASKET (CARBURETOR)</i>	BGH44129	1
84	9074067	KARBURATOR	<i>PW200 CARBURETOR</i>	BGH74103	1
85	9074068	PAKNING KARBURATOR-LUFTFILTER	<i>PW200 GASKET (AIR CLEANER)</i>	BGH44107	1
86	9060858	LUFTFILTER	<i>AIR FILTER ELEMENT 6,5 HP</i>	10197	1
87	N/A		<i>BOLT M6X10</i>	BGS40000-1	2
88	N/A		<i>PW200 WIND SCOOPER</i>	BGH76175	1
89	9074069	LYDDÆMPER	<i>PW200 MUFFLER (CE/DIVERTER)</i>	BGH73163	1
90	9074070	PAKNING V/LYDDÆMPER	<i>PW200 GASKET (MUFFLER)</i>	BGH42901	1
91	N/A		<i>MUFFLER STUD (8X35)</i>	PGH42950-1	2

FIGUR 3



Pos	Varenr / item no.	Varenavn	Item name	OE	stk/pcs
41	9076050	AFSKÆRMNING, KOMPLET	SAFETY COVER KIT	1HLS0TGJ-41	1

Vi forbeholder os ret til uden foregående varsel at ændre de tekniske parametre og specifikationer for dette produkt