



CORE BRÆNDEKLØVER

- 4T 230V 2KW

RESERVEDELSKATALOG TIL:

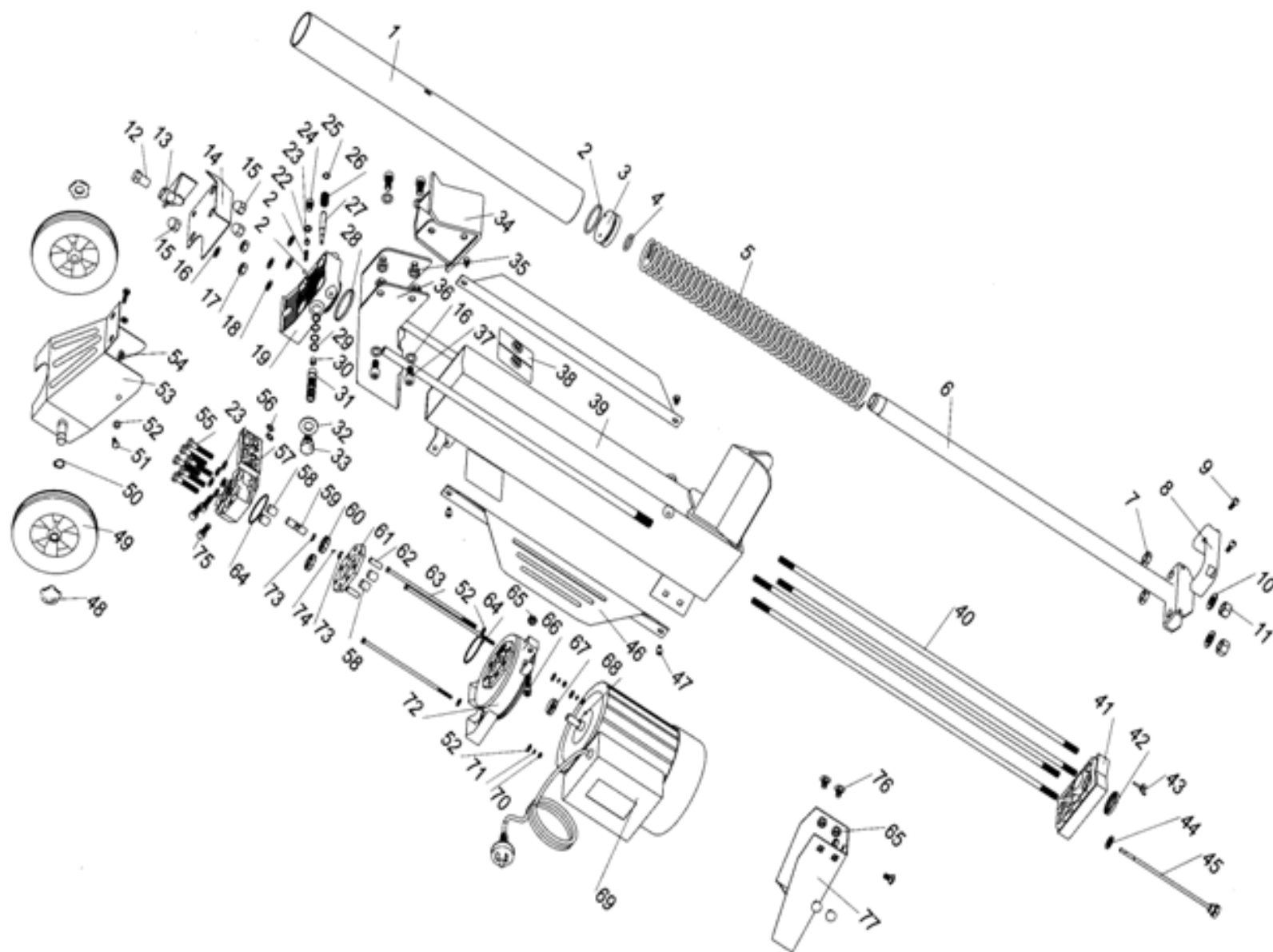
9071963 CORE BRÆNDEKLØVER 4T 230V



03.12.2025 (V1)

Rev. 04.05.2026

FIGUR 1



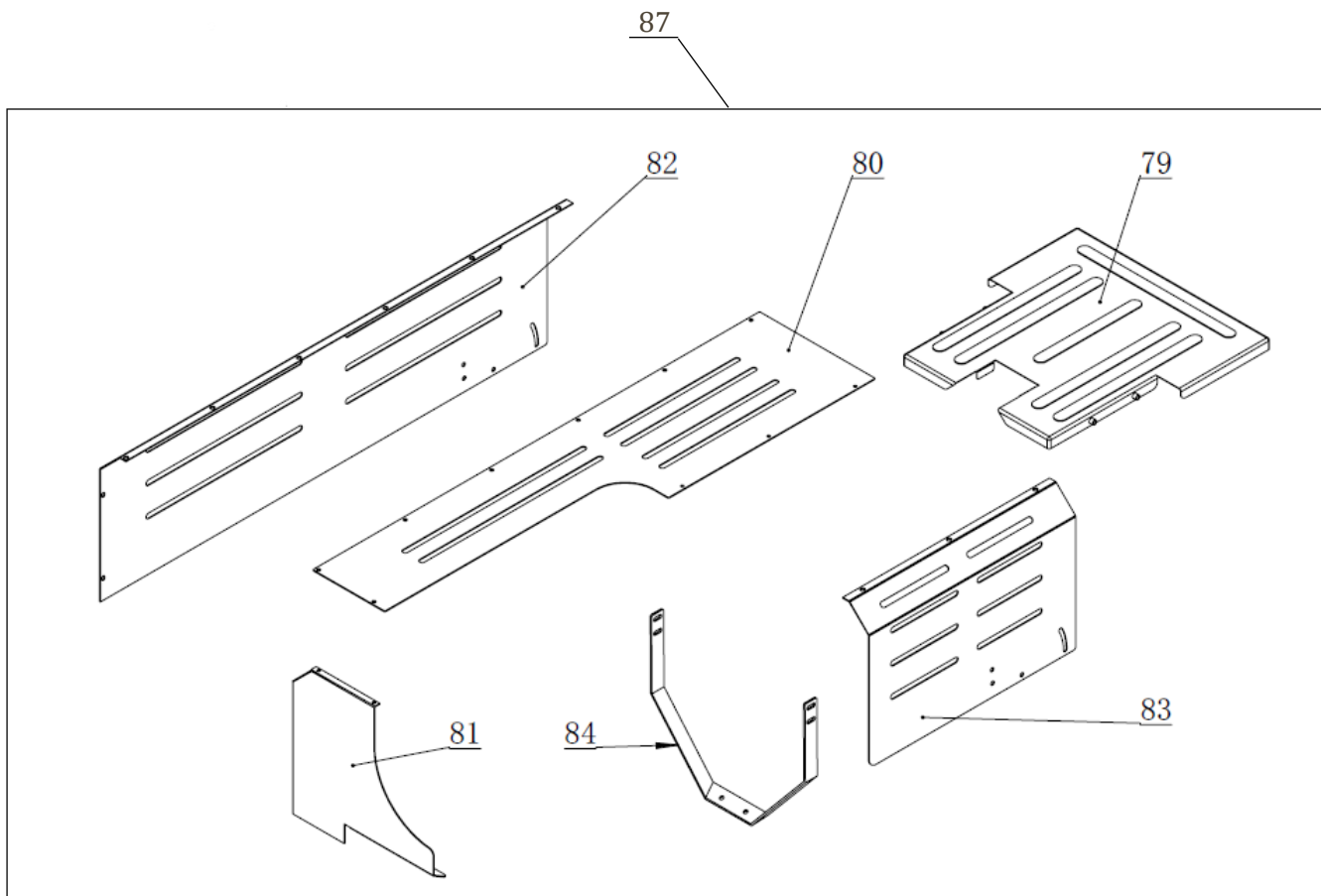
DELE TIL FIG 1

Pos	Varenr / item no.	Varenavn	Item name	OE	stk/pcs
1	N/A		<i>OIL CYLINDER</i>	HLS4T-37-1	1
2	N/A		<i>ST-STYLE GASKET 44X55</i>	HLS4T-37-2	1
3	N/A		<i>PISTON</i>	HLS4T-37-3	1
4	N/A		<i>ST-STYLE GASKET</i>	HLS4T-37-4	1
5	N/A		<i>BIG SPRING</i>	HLS4T-37-5	1
6	N/A		<i>PISTON ROD</i>	HLS4T-37-6	1
7	N/A		<i>NUTS M14</i>	HLS4T-37-7	2
8	N/A		<i>LIFT HANDLE</i>	HLS4T-37-8	1
9	N/A		<i>INNER HEXAGON BOLT M6X16</i>	HLS4T-37-9	2
10	N/A		<i>WASHER 14</i>	HLS4T-37-10	2
11	N/A		<i>ANTI-LOOSE NUTS M14</i>	HLS4T-37-11	2
12	N/A		<i>FIXING NUT FOR HANDLE</i>	HLS4T-37-12	1
13	N/A		<i>OPERATION HANDLE</i>	HLS4T-37-13	1
14	N/A		<i>HANDLE GUARD</i>	HLS4T-37-14	1
15	N/A		<i>COVER-TYPE NUT M10</i>	HLS4T-37-15	3
16	N/A		<i>WASHER M10</i>	HLS4T-37-16	4
17	N/A		<i>NUTS M10</i>	HLS4T-37-17	4
18	N/A		<i>GASKET</i>	HLS4T-37-18	4
19	N/A		<i>ALUMINUM BLOCK</i>	HLS4T-37-19	1
20	N/A		<i>STEEL BALL S6(DIAMETER)</i>	HLS4T-37-20	1
21	N/A		<i>SPRING 6.2X1.6</i>	HLS4T-37-21	1
22	N/A		<i>FIXING BOLT M8X8</i>	HLS4T-37-22	1
23	*		<i>O RING 8X1.8</i>	HLS4T-37-23	1
24	N/A		<i>COLUMN HEAD BOLT M8X10</i>	HLS4T-37-24	1
25	N/A		<i>STOP RING 6</i>	HLS4T-37-25	1
26	N/A		<i>SMALL SPRING 7.8</i>	HLS4T-37-26	1
27	N/A		<i>SMALL SPINDLE</i>	HLS4T-37-27	1
28	N/A		<i>GASKET 55X3.1</i>	HLS4T-37-28	1
29	N/A		<i>O RING 10.6X1.8</i>	HLS4T-37-29	5
30	N/A		<i>INNER SHEATH</i>	HLS4T-37-30	1
31	N/A		<i>SMALL SPINDLE SHEATH</i>	HLS4T-37-31	1

Pos	Varenr / item no.	Varenavn	Item name	OE	stk/pcs
32	N/A		GASKET 16	HLS4T-37-32	1
33	N/A		SCREW M14X1.5	HLS4T-37-33	1
34	N/A		PUSHING PLATE	HLS4T-37-34	1
35	N/A		NUT M10	HLS4T-37-35	4
36	N/A		SUPPORT BRACKET	HLS4T-37-36	1
37	N/A		INNER HEXAGON BOLT M8X15	HLS4T-37-37	4
38	N/A		PLASTIC PAD 1	HLS4T-37-38	1
39	N/A		WORKABLE TANK	HLS4T-37-39	1
40	N/A		TWO-HEAD BOLT	HLS4T-37-40	4
41	N/A		OIL TANK ALUMINUM COVER	HLS4T-37-41	1
42	N/A		CK-TYPE DUST-PROOF RING 30X41.8	HLS4T-37-42	1
43	N/A		BUTTERFLY-STYLE NUT M4X16	HLS4T-37-43	1
44	N/A		GASKET 10	HLS4T-37-44	1
45	N/A		OIL RULER	HLS4T-37-45	1
46	N/A		SUPPORT & PROTECTION GUARD	HLS4T-37-46	2
47	N/A		INNER HEXAGON BOLT M6X10	HLS4T-37-47	4
48	N/A		COVER	HLS4T-37-48	2
49	9074524	HJUL	WHEEL	HLS4T-37-49	2
50	N/A		SPINDLE STOP 13	HLS4T-37-50	2
51	N/A		CROSS HALF-ROUND HEAD BOLT M6X10	HLS4T-37-51	2
52	N/A		WASHER 6	HLS4T-37-52	4
53	N/A		BACK STEEL-PLATE SUPPORT	HLS4T-37-53	1
54	N/A		NUT M6	HLS4T-37-54	4
55	*		SIX ANGLE HEAD BOLT M8X55	HLS4T-37-55	6
56	N/A		O RING 10X2.65	HLS4T-37-56	2
57	*		GEAR PUMP HOUSING	HLS4T-37-57	1
58	*		ROLL SPINDLE 13X11X15	HLS4T-37-58	4
59	*		GEAR SPINDLE	HLS4T-37-59	1
60	*		GEAR	HLS4T-37-60	2
61	*		MIDDLE CLAPBOARD	HLS4T-37-61	1
62	*		COLUMN PIN 8X25	HLS4T-37-62	4
63	*		MOTOR CONNECTING SPINDLE	HLS4T-37-63	4

Pos	Varenr / item no.	Varenavn	Item name	OE	stk/pcs
64	*		<i>RING 46.2X1.8</i>	HLS4T-37-64	1
65	*		<i>NUT 6</i>	HLS4T-37-65	2
66	*		<i>INNER SIX ANGLE BOLT M6X30</i>	HLS4T-37-66	1
67	N/A		<i>FRAMEWORK OIL SEAL</i>	HLS4T-37-67	2
68	N/A		<i>MOTOR SPINDLE</i>	HLS4T-37-68	1
69	9074525	EL-MOTOR	<i>MOTOR</i>	HLS4T-37-69	1
70	N/A		<i>NUT 6</i>	HLS4T-37-70	3
71	N/A		<i>STRETCHING PAD 6</i>	HLS4T-37-71	4
72	*		<i>FRONTAL ALUMINUM COVER OF MOTOR</i>	HLS4T-37-72	1
73	*		<i>STEEL STOP 11</i>	HLS4T-37-73	2
74	*		<i>BALL 2.5</i>	HLS4T-37-74	1
75	*		<i>SIX ANGLE HEAD NUT M8X30</i>	HLS4T-37-75	3
76	N/A		<i>BOLT WITH SMALL HALF ROUND</i>	HLS4T-37-76	2
77	N/A		<i>HEAD AND LOW SQUARE NECK M8X20</i>	HLS4T-37-77	1

FIGUR 2



Pos	Varenr / item no.	Varenavn	Item name	OE	stk/pcs
87	9076046	AFSKÆRMNING, KOMPLET	SAFETY COVER KIT	HLS4T-37-87	1

Ej illustreret

Pos	Varenr / item no.	Varenavn	Item name	OE	stk/pcs
*	9074526	PUMPE, KOMPLET	COMPLETE PUMP	HLS4T-37-100	1
23	N/A		O RING 8X1.8	HLS4T-37-23	1
55	N/A		SIX ANGLE HEAD BOLT M8X55	HLS4T-37-55	6
57	N/A		GEAR PUMP HOUSING	HLS4T-37-57	1
58	N/A		ROLL SPINDLE 13X11X15	HLS4T-37-58	4
59	N/A		GEAR SPINDLE	HLS4T-37-59	1
60	N/A		GEAR	HLS4T-37-60	2
61	N/A		MIDDLE CLAPBOARD	HLS4T-37-61	1
62	N/A		COLUMN PIN 8X25	HLS4T-37-62	4
63	N/A		MOTOR CONNECTING SPINDLE	HLS4T-37-63	4
64	N/A		RING 46.2X1.8	HLS4T-37-64	1
65	N/A		NUT 6	HLS4T-37-65	2
66	N/A		INNER SIX ANGLE BOLT M6X30	HLS4T-37-66	1
72	N/A		FRONTAL ALUMINUM COVER OF MOTOR	HLS4T-37-72	1
73	N/A		STEEL STOP 11	HLS4T-37-73	2
74	N/A		BALL 2.5	HLS4T-37-74	1
75	N/A		SIX ANGLE HEAD NUT M8X30	HLS4T-37-75	3

Vi forbeholder os ret til uden foregående varsel at ændre de tekniske parametre og specifikationer for dette produkt

Kontakt
 Tlf Salgsafdeling: 7021 2626
 Tlf Teknisk support: 7696 2326

P. Lindberg A/S
 Sdr. Ringvej 1
 DK - 6600 Vejen

CORE BRÆNDEKLØVER 4T 230V
 www.p-lindberg.dk
 e-mail: salg@p-lindberg.dk