



# CORE HYDRAULISK BRÆNDEKLØVER

## - 10T. T/TRAKTOR

RESERVEDELSKATALOG TIL:

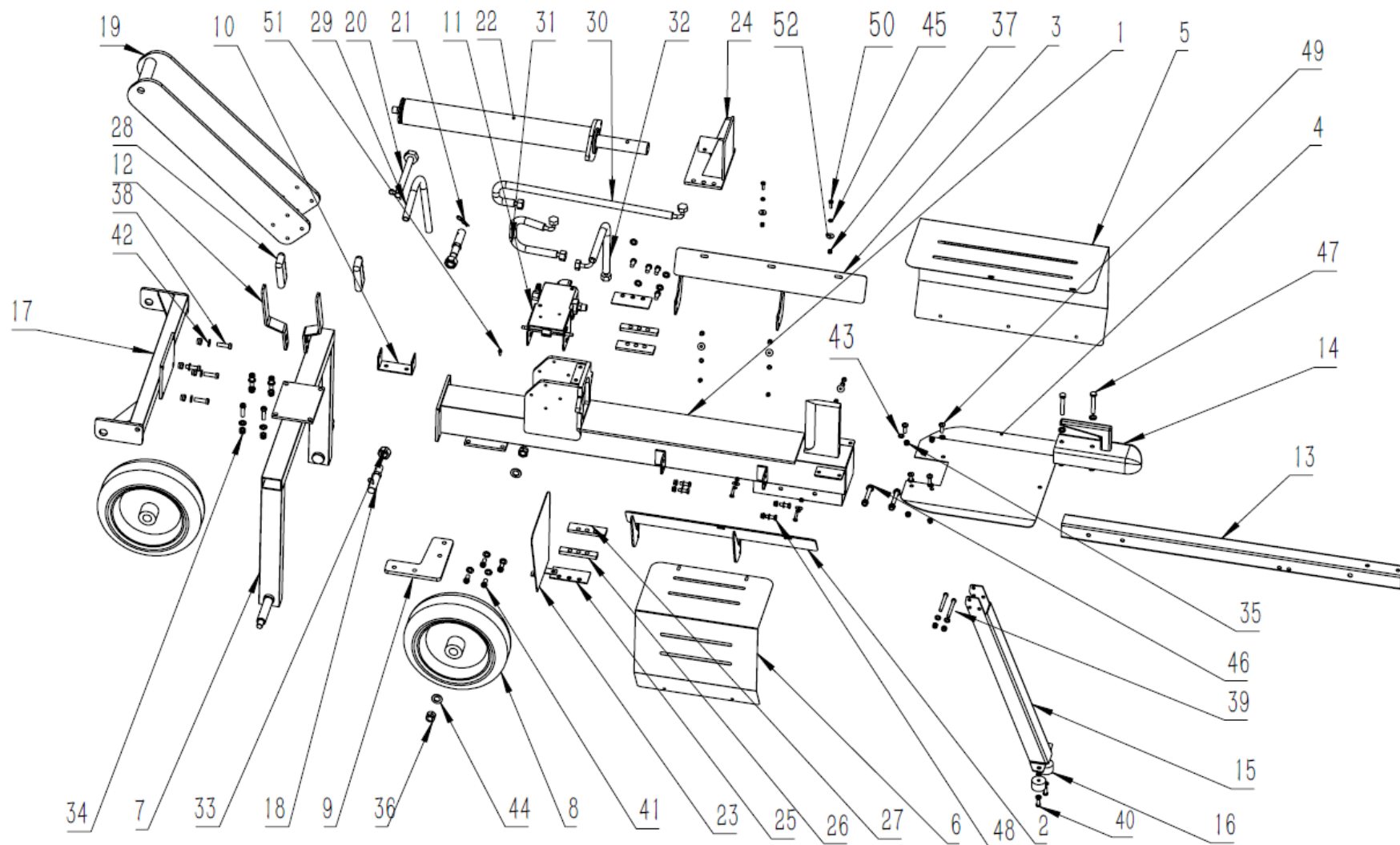
9071971 CORE HYDRAULISK BRÆNDEKLØVER



26.02.2026 (V2)

Rev. 04.05.2026

FIGUR 1

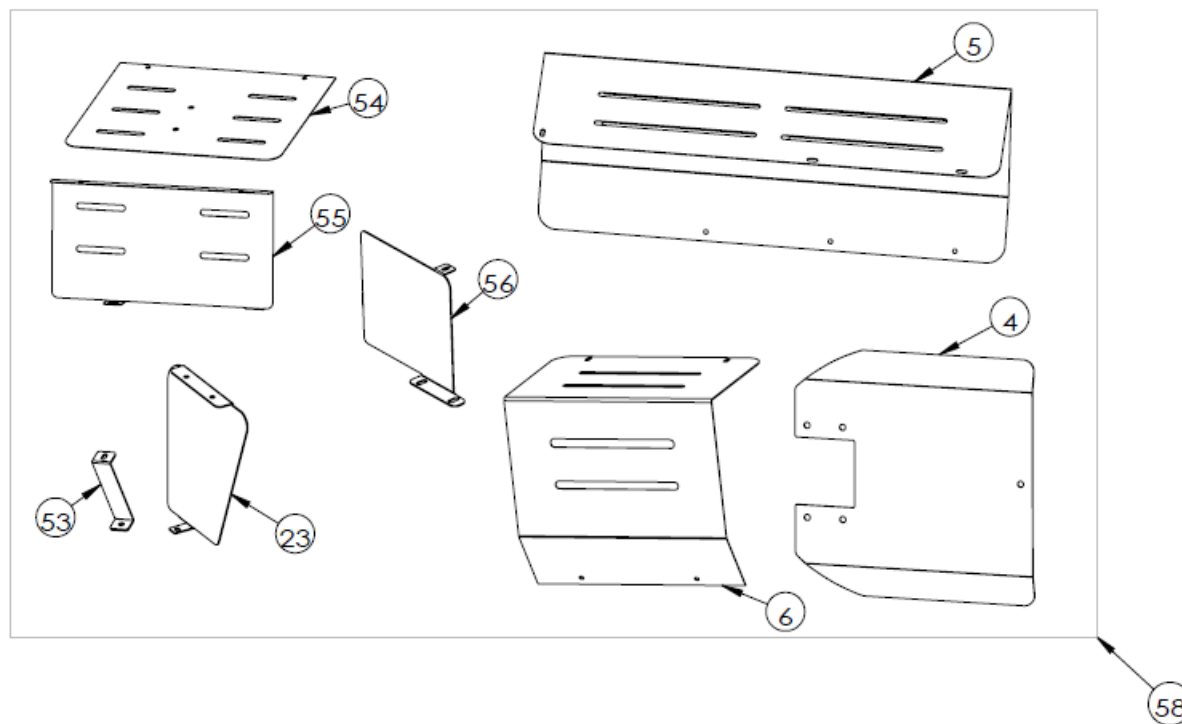


## DELE TIL FIG 1

Pos	Varenr / item no.	Varenavn	Item name	OE	stk/pcs
1	N/A	HOVEDDRAMME	WORK TABLE	1HLS10PTOK-1	1
2	N/A	STØTTERAMME, VENSTRE	WOOD SUPPORTING FRAME (LEFT)	1HLS10PTOK-2	1
3	N/A	STØTTERAMME, HØJRE	WOOD SUPPORTING FRAME (RIGHT)	1HLS10PTOK-3	1
4	N/A	HOVEDDRAMME FORLÆNGERPLADE	WOOD CATCHER	1HLS10PTOK-4	1
5	N/A	SIKKERHEDSSKJOLD, STOR	BIG COVER	1HLS10PTOK-5	1
6	N/A	SIKKERHEDSSKJOLD, LILLE	SMALL COVER	1HLS10PTOK-6	1
7	N/A	BAGERSTE STØTTEBEN V HJUL	BACK STAND	1HLS10PTOK-7	1
8	9074092	HJUL	WHEEL	1HLS10PTOK-8	2
9	N/A	VENTILBLOK HOVEDDRAMMEBESLAG	CONNECTION PLATE	1HLS10PTOK-9	1
10	N/A	VENTILBLOK HOVEDDRAMMEBESLAG	VALVE BRACKET	1HLS10PTOK-10	1
11	9074093	VENTILBLOK	VALVE ASSEMBLY	1HLS10PTOK-11	1
12	N/A	BETJENINGSHÅNDTAG	OPERATION HANDLE	1HLS10PTOK-12	2
13	N/A	TRÆKAKSEL	TOWING BAR	1HLS10PTOK-13	1
14	N/A	ANHÆNGERTRÆK	COUPLER	1HLS10PTOK-14	1
15	9074094	FORRESTE STØTTEBEN	FRONT LEG	1HLS10PTOK-15	1
16	N/A	GUMMIFOD	SHOCK PAD	1HLS10PTOK-16	2
17	N/A	LIFTARMSBOLT BESLAG	PTO FRAME	1HLS10PTOK-17	1
18	N/A	LIFTARMSBOLT	PTO PIN (LOWER)	1HLS10PTOK-18	2
19	N/A	TOPSTANGSBOLT BESLAG	PTO CONNECTION PLATE ASSEMBLY	1HLS10PTOK-19	2
20	9074095	TOPSTANGSBOLT	UPPER PIN	1HLS10PTOK-20	1
21	N/A	SPLIT	CLIP	1HLS10PTOK-21	3
22	9074096	HYDRAULIKCYLINDER	OIL CYLINDER	1HLS10PTOK-22	1
23	N/A	SIKKERHEDSPLADE V BETJENINGSHÅNDTAG	SAFETY GUARD	1HLS10PTOK-23	1
24	N/A	FOD	PUSHING PLATE	1HLS10PTOK-24	1
25	9074097	PLASTIK GLIDER TIL STYR	PLASTIC PAD	1HLS10PTOK-25	2
26	9074098	STYR TIL FOD	GUIDING LINEN	1HLS10PTOK-26	2
27	9074099	MELLEMSTYKKE TIL STYR	GUIDING SUPPORT	1HLS10PTOK-27	2
28	9075096	GREB TIL BETJENINGSHÅNDTAG	HANDLE COVER	1HLS10PTOK-28	2
29	9074100	HYDRAULIK TRYKSLANGE	HP HOSE VALVE TO INLET TRACTOR	1HLS10PTOK-29	1

Pos	Varenr / item no.	Varenavn	Item name	OE	stk/pcs
30	9074101	HYDR.SLANGE ML BLOK & CYLINDER (CYLINDER BUND)	HP HOSE VALVE TO CYLINDER BOTTOM	1HLS10TPTOK-30	1
31	9074102	HYDR.SLANGE ML BLOK & CYLINDER (CYLINDER HOVED)	HP HOSE VALVE TO CYLINDER HEAD	1HLS10TPTOK-31	1
32	9074103	HYDRAULIK RETURSLANGE	HP HOSE VALVE TO OUTLET TRACTOR	1HLS10TPTOK-32	1
33	N/A	MØTRIK M20	GB_FASTENER_NUT_SNAB1 B M20-N	1HLS10TPTOK-33	
34	N/A	MØTRIK M10	GB_HEXAGON_TYPE9 M10-N	1HLS10TPTOK-34	
35	N/A	MØTRIK M8	GB_HEXAGON_TYPE9 M8-N	1HLS10TPTOK-35	
36	N/A	MØTRIK M16	GB_HEXAGON_TYPE9 M16-N	1HLS10TPTOK-36	
37	N/A	MØTRIK M6	GB_HEXAGON_TYPE9 M6-N	1HLS10TPTOK-37	
38	N/A	BOLT M10X35	GB_HEXAGON_TYPE21 M10X35-35-N	1HLS10TPTOK-38	
39	N/A	BOLT M8X70	GB_HEXAGON_TYPE21 M8X70-38-N	1HLS10TPTOK-39	
40	N/A	BOLT M8X20	GB_HEXAGON_TYPE21 M8X20-20-N	1HLS10TPTOK-40	
41	N/A	BOLT M10X20	GB_HEXAGON_TYPE21 M10X20-20-N	1HLS10TPTOK-41	
42	N/A	PLANSKIVE Ø10	GB_FASTENER_WASHER_SMWC 10	1HLS10TPTOK-42	
43	N/A	PLANSKIVE Ø8	GB_FASTENER_WASHER_SMWC 8	1HLS10TPTOK-43	
44	N/A	PLANSKIVE Ø16	GB_FASTENER_WASHER_SMWC 16	1HLS10TPTOK-44	
45	N/A	PLANSKIVE Ø6	GB_FASTENER_WASHER_SMWC 6	1HLS10TPTOK-45	
46	N/A	BOLT M10X70	GB_FASTENER_BOLT_HHBFTC M10X70-N	1HLS10TPTOK-46	
47	N/A	BOLT M10X65	GB_FASTENER_BOLT_HHBFTC M10X65-N	1HLS10TPTOK-47	
48	N/A	BOLT M8X25	GB_FASTENER_BOLT_HHBFTC M8X25-N	1HLS10TPTOK-48	
49	N/A	MASKINSKRUE M8X25	GB_CROSS_SCREWS_TYPE1 M8X25-25 H TYPE-N	1HLS10TPTOK-49	
50	N/A	MASKINSKRUE M6X18	GB_CROSS_SCREWS_TYPE1 M6X18- 20 H TYPE-N	1HLS10TPTOK-50	
51	N/A	SKRUE 4.8X16	GB_SQUARE_AND_HEXAGON_TYPE137ST4.8X16 C-N	1HLS10TPTOK-51	
52	N/A	PLANSKIVE Ø6	WASHER	1HLS10TPTOK-52	

FIGUR 2



Pos	Varenr / item no.	Varenavn	Item name	OE	stk/pcs
58	9076053	AFSKÆRMNING, KOMPLET	SAFETY COVER KIT	1HLS10TPTOK-58	1

*Vi forbeholder os ret til uden foregående varsel at ændre de tekniske parametre og specifikationer for dette produkt*