

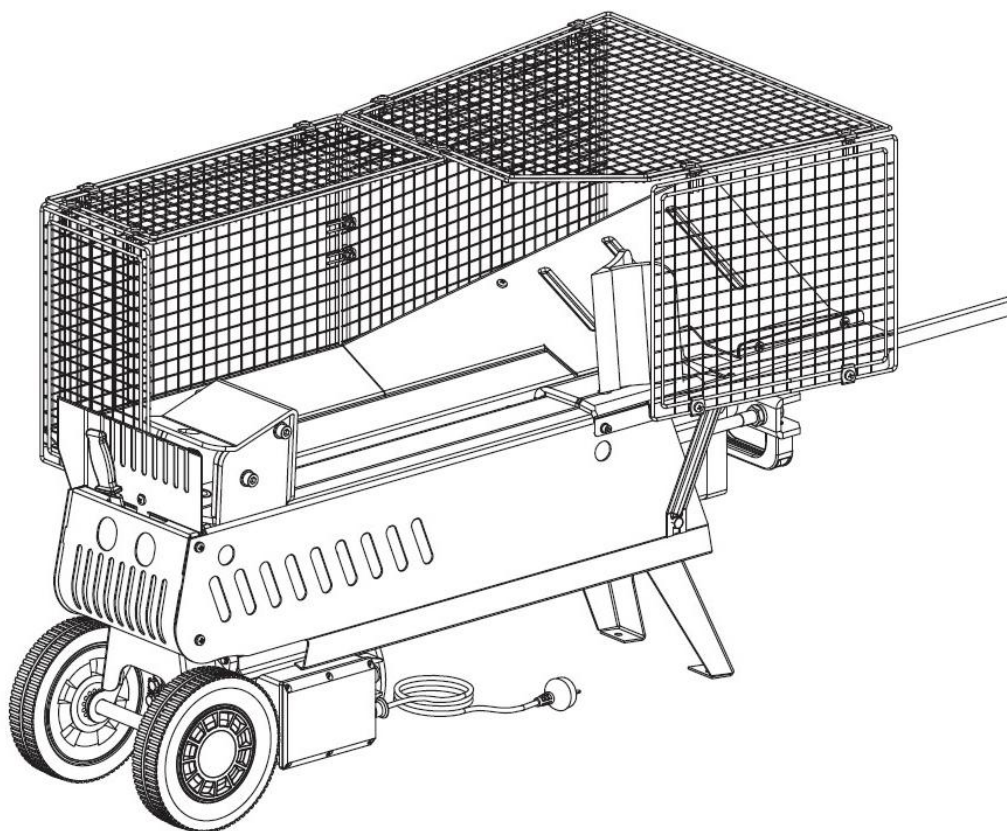
HAVE & PARK



# BRÆNDEKLØVER, 7 TONS

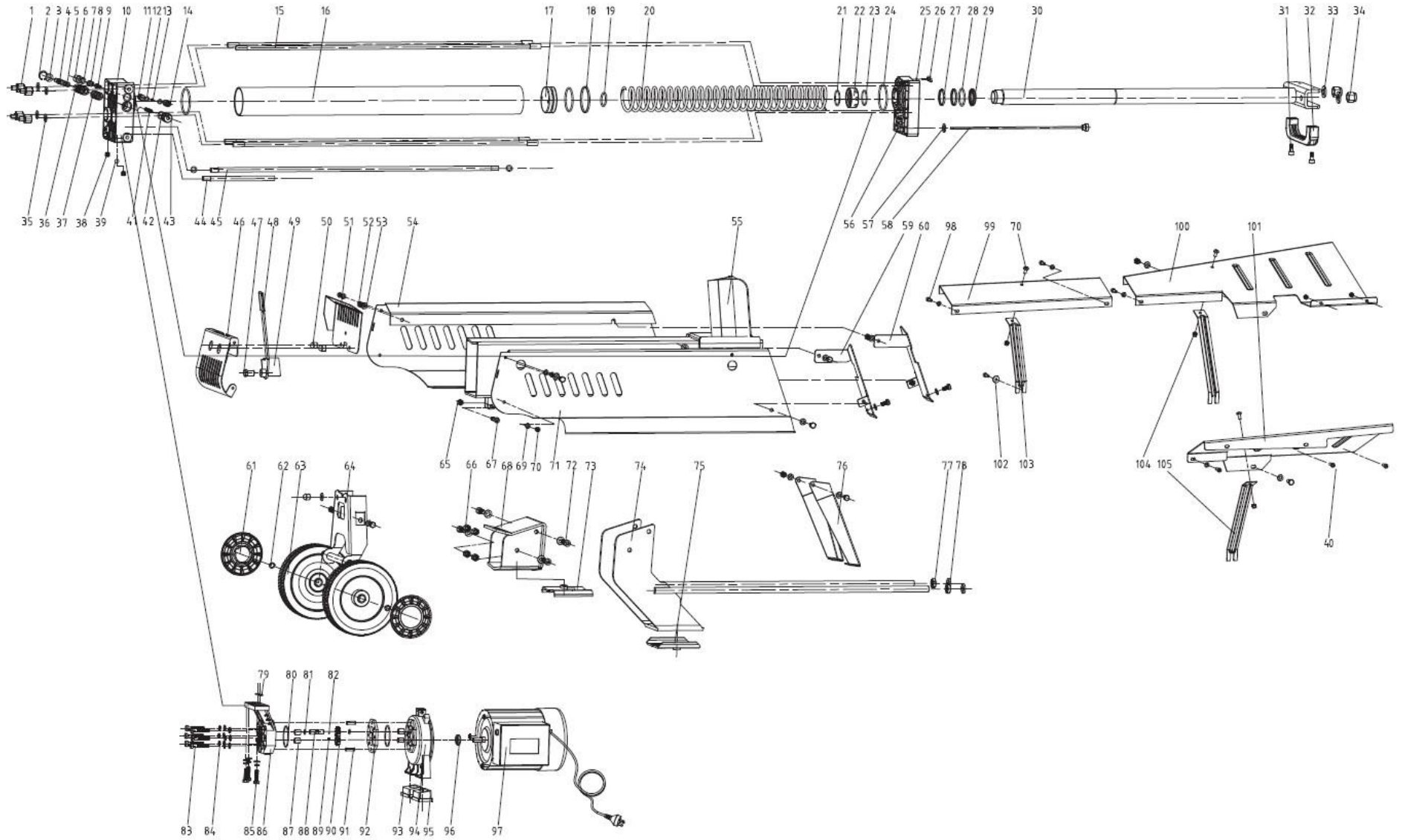
VANDRET

Reservedelskatalog til  
9059793



24.10.2023

FIGUR 1



Kontakt  
Tlf salgsafdeling: 7021 2626  
Tlf teknisk support: 7696 2326

P. Lindberg A/S  
Sdr. Ringvej 1  
DK – 6600 Vejen

RES 9059793 DK V1  
www.p-lindberg.dk  
e-mail: salg@p-lindberg.dk

## DELE TIL FIG 1

Pos	Varenr / item no	Varenavn	Item name	OE	Antal / qty
1	N/A	Møtrik	Nut	CFA.55.118	4
2	N/A	Fjederskive	Snap washer 22	GBT893.1-86	1
3	9050203	Planskive, Ø10	Washer 10	GBT97.1-85	6
4	N/A	Ventil	Valve rod	CFA.55.113	1
5	N/A	O-ring 8,75x1,8	O-ring 8.75x1.8	GBT3452.1-86	1
6	N/A	Hus	Safety valve spring basis	CFA.55.112	1
7	N/A	O-ring, 11,2x2,65	O-ring 11.2x2.65	GBT3452.1-86	3
8	N/A	Fjeder	Safety valve spring	CFA.55.111	1
9	N/A	Ventil	Safety valve core	CFA.55.110	1
10	N/A	Ventilforing	Valve sleeve	CFA.55.115	1
11	N/A	Ventilblok, venstre	Cylinder cover - Left	CFA.55.101	1
12	N/A	O-ring, 10,6x1,8	O-ring 10.6x1.8	GBT3452.1-86	2
13	N/A	Fjeder	Safety valve core adjusting spring	CFA.55.117	1
14	N/A	Justerskrue	Adjusting spring basis	CFA.55.116	1
15	N/A	Gevindstænger	Stud	CFA.55.121	4
16	N/A	Stempelrør	Cylinder	CFA.55.124	1
17	N/A	Stempel	Piston	CFA.55.102	1
18	9037506	Stempelring /-tætning	Piston ring 70	GBT15242.1	1
19	9037507	O-ring, 35,5x3,55	O-ring 35.5x3.55	GBT3452.1-86	1
20	N/A	Fjeder	Restoring spring	CFA.55.104	1
21	N/A	Låsering	Circlip 40	GBT 895.2	1
22	N/A	Spændering / skive	Snap washer	CFA.55.106	1
23	9037508	O-ring, 38,7x2,65	O-ring 38.7x2.65	GBT3452.1-86	1
24	9037509	O-ring, 64,4x3,1	O-ring 64.4x3.1	GB 1235-76	2
25	N/A	O-ring, 7x1,9	O-ring 7x1.9	GB 1235-76	1
26	N/A	Fingermøtrik, M5x12	Bleed screw M5x12	CAA.55.141	1
27	9037511	Slidring	Wear-resisting belt 127x4x2	11274200S00	1
28	9037512	O-ring	O-ring 30	GBT15242.1	1
29	9037513	Skrabering	Piston seal 40	GBT10708.3	1
30	9068456	Stempelstang	Piston rod weldment	CFA.55.012	1
31	N/A	Unbrakobolt, M8x20	Hexagon screw M8 x 20	GBT70-85	2

Pos	Varenr / item no	Varenavn	Item name	OE	Antal / qty
32	N/A	Håndtag	Moving handle	CFA.55.109	1
33	9050205	Planskive, Ø16	Washer 16	GBT95	2
34	9050217	Låsemøtrik, M16	Locknut M16	GBT6182	2
35	N/A	Kobberskive	Copper washer 12	CFA.55.161	4
36	N/A	Ventilforing	Valve sleeve	CFA.55.114	1
37	N/A	O-ring, 17x1,8	O-ring 17x1.8	GBT3452.1-86	4
38	N/A	Pinolskrue, M10x8	Screw M10x8	GBT77-75	2
39	N/A	Stålkugle	Steel ball 8.5	GBT308-89	1
40	N/A	Skruer, M6x12	Socket head cap screws M6x12		2
41	N/A	Fjeder	Valve rod restoring spring	CFA.55.120	1
42	9037516	O-ring, 16x2,65	O-ring 16x2.65	GBT3452.1-86	1
43	N/A	Prop	Valve base	CFA.55.119	1
44	N/A	Stang	Intake hose	CFA.55.160	1
45	N/A	Rør	Connection hose	CFA.55.107	1
46	N/A	Plade	Cylinder cover guard	CFA.55.122	1
47	N/A	Møtrik	Lever nut	CFA.55.123	1
48	N/A	Gummi til håndtag	Lever head	CFA.55.140	1
49	N/A	Håndtag	Lever	CFA.55.015	1
50	N/A	Lukket møtrik, M10	Carriage nut M10	GBT 802-88	3
51	N/A	Afstandsplade	Separating plate	65575.55.129	1
52	9050230	Bolt, M8x16	Bolt M8x16	GBT 5783-86	14
53	9050198	Planskive, Ø8	Washer 8	GBT95	23
54	N/A	Sideskærm, højre	Body cover - Right	65575.38.022	1
55	N/A	Hovedramme	Tube frame	65575.38.014	1
56	N/A	Ventilblok, højre	Cylinder cover - Right	CFA.55.108-B	1
57	N/A	Skive f/oliepind	Dipstick washer 14	JB 892-77	1
58	N/A	Oliepind	Dipstick	CFA.55.013	1
59	N/A	Holder, højre	Guard cover - Right	65575.38.023	1
60	N/A	Holder, venstre	Guard cover - Left	65575.38.024	1
61	N/A	Navkapsel	Wheel cover	CFA.38.172	2
62	N/A	Låsering	Wheel shaft snap ring 16	GBT894.1	2
63	N/A	Hjul	Wheel	CFA.38.020	2
64	N/A	Hjulophæng	Wheel shaft frame	CFA.38.017	1

Kontakt

Tlf salgsafdeling: 7021 2626

Tlf teknisk support: 7696 2326

P. Lindberg A/S

Sdr. Ringvej 1

DK – 6600 Vejen

RES 9059793 DK V1

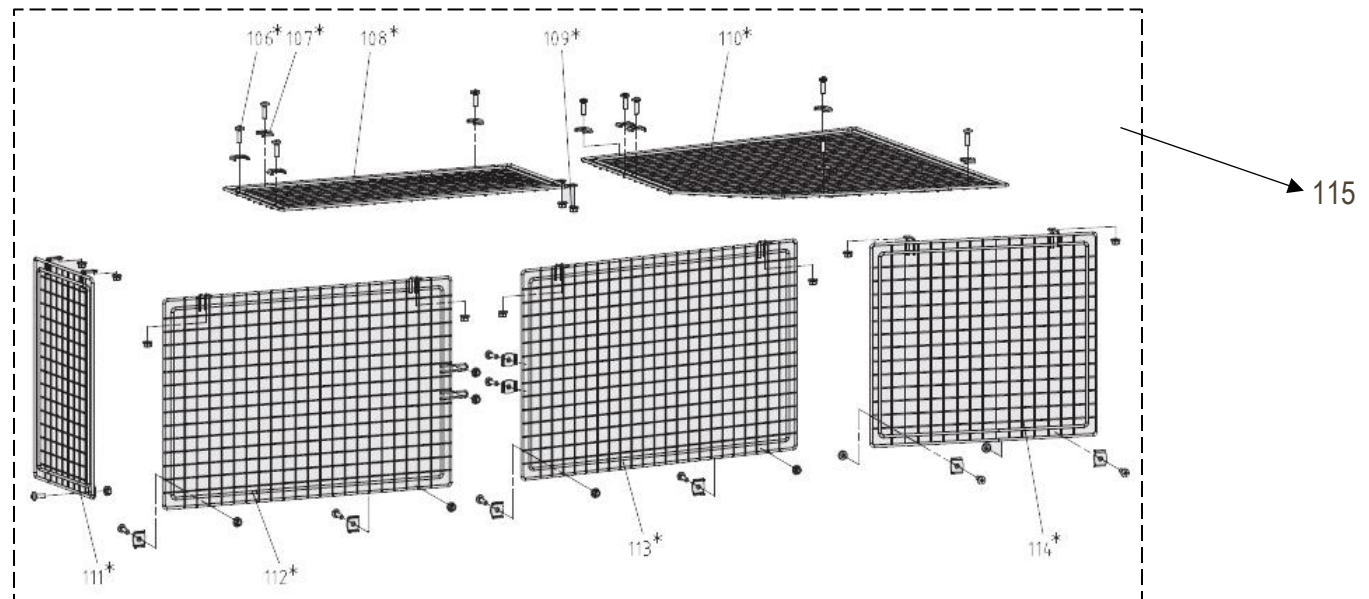
www.p-lindberg.dk

e-mail: salg@p-lindberg.dk

Pos	Varenr / item no	Varenavn	Item name	OE	Antal / qty
65	9050214	Låsemøtrik, M8	Locknut M8	GBT6182	3
66	9050215	Låsemøtrik, M10	Locknut M10	GBT6182	4
67	N/A	Unbrakobolt, M8x35	Hex. screw M8x35	GBT70.1	1
68	9066092	Kløve anslag/beslag	Log pusher	CFA.55.016	1
69	9050197	Skive, Ø6	Washer 6	GBT95	8
70	N/A	Skrue, M6x12	Cross headed screw M6x12	GBT 818-2000	14
71	N/A	Sideskærm, venstre	Body cover - Left	65575.38.021	1
72	N/A	Unbrakobolt, M10x30	Hex. screw M10x30	GBT70-85	4
73	9070487	Plastindsats, øverst	Plastic insert - Upper	CFA.55.103	1
74	9070488	Kløvebeslag	Drawing weldment	CFA.55.105	1
75	9066093	Plastindsats, nederst	Plastic insert - Lower	CFA.55.011	1
76	N/A	Støttefod	Support leg	CFA.38.167	1
77	N/A	Halv møtrik	Thin nut M16	GBT6172.1	2
78	N/A	Fjederskive	Spring washer 16	GBT93	2
79	N/A	O-ring, 10,6x2,65	O-ring 10.6x2.65	GBT3452.1-82	2
80	9037518	O-ring, 46,2x1,8	O-ring 46.2x1.8	GBT3452.1-82	2
81	N/A	Skive	Gear shaft snap washer 10	GBT895.2	2
82	N/A	Stålkugle	Steel ball 2.5	GBT308-89	1
83	N/A	Bolt, M8x55	Bolt M8x55	GBT5782-86	6
84	N/A	Fjederskive	Spring washer 8	GBT93	9
85	9050232	Bolt, M8x30	Bolt M8x30	GBT5783-86	3
86	9039185	Pumpedæksel	Pump cover	CBA.26.105	1
87	N/A	Afstandsstykke	Sleeve bearing	CBA.26.103	4
88	N/A	Pumpe-aksel	Gear shaft	CBA.26.101	1
89	N/A	Stift 2,5x4	Pin 2.5x4	GBT119-86	1
90	N/A	Pumpehjul	Gear	CBA.26.102	2
91	N/A	Stift 7,8x24	Pin B 7.8x24	GBT119-86	2
92	N/A	Plade for pumpehjul	Gear housing plate	CBA.26.107	1
93	N/A	Pumpefod, højre	Motor support shoe - Right	CBA.26.154	1
94	9041416	Motordæksel	Motor cover	CBA.26.106	1
95	N/A	Pumpefod, venstre	Motor support shoe - Left	CBA.26.155	1
96	9037519	Pakdåse, 11x26x7	Seal FB 11x26x7	GBT9877.1-88	1
97	9040007	El-motor, komplet	Motor assy		1

Pos	Varenr / item no	Varenavn	Item name	OE	Antal / qty
98	N/A	Unbrakobolt, M6x16	Screw M6x16	GBT70.1-2000	5
99	N/A	Bundplade	Guard bottom plate F	65575.38.103	1
100	N/A	Kævla bakke 1F	Log tray 1F	65575.38.101	1
101	N/A	Kævla bakke 2F	Log tray 2F	65575.38.102	1
102	N/A	Skærmskive, stor	Big washer C6	GBT96.1	1
103	N/A	Støtte F2	Support strut F2	65575.38.111	1
104	9050213	Låsemøtrik, M6	Locknut M6	GBT6172.2	12
105	N/A	Støtte F1	Support strut F1	65575.38.110	2

FIGUR 2



DELE TIL FIG 2

Pos	Varenr / item no	Varenavn	Item name	OE	Antal / qty
115	N/A	Komplet gitter	Wire guard assy	N/A	1

*Vi forbeholder os ret til uden foregående varsel at ændre de tekniske parametre og specifikationer for dette produkt*