



LINHAI LH80DA

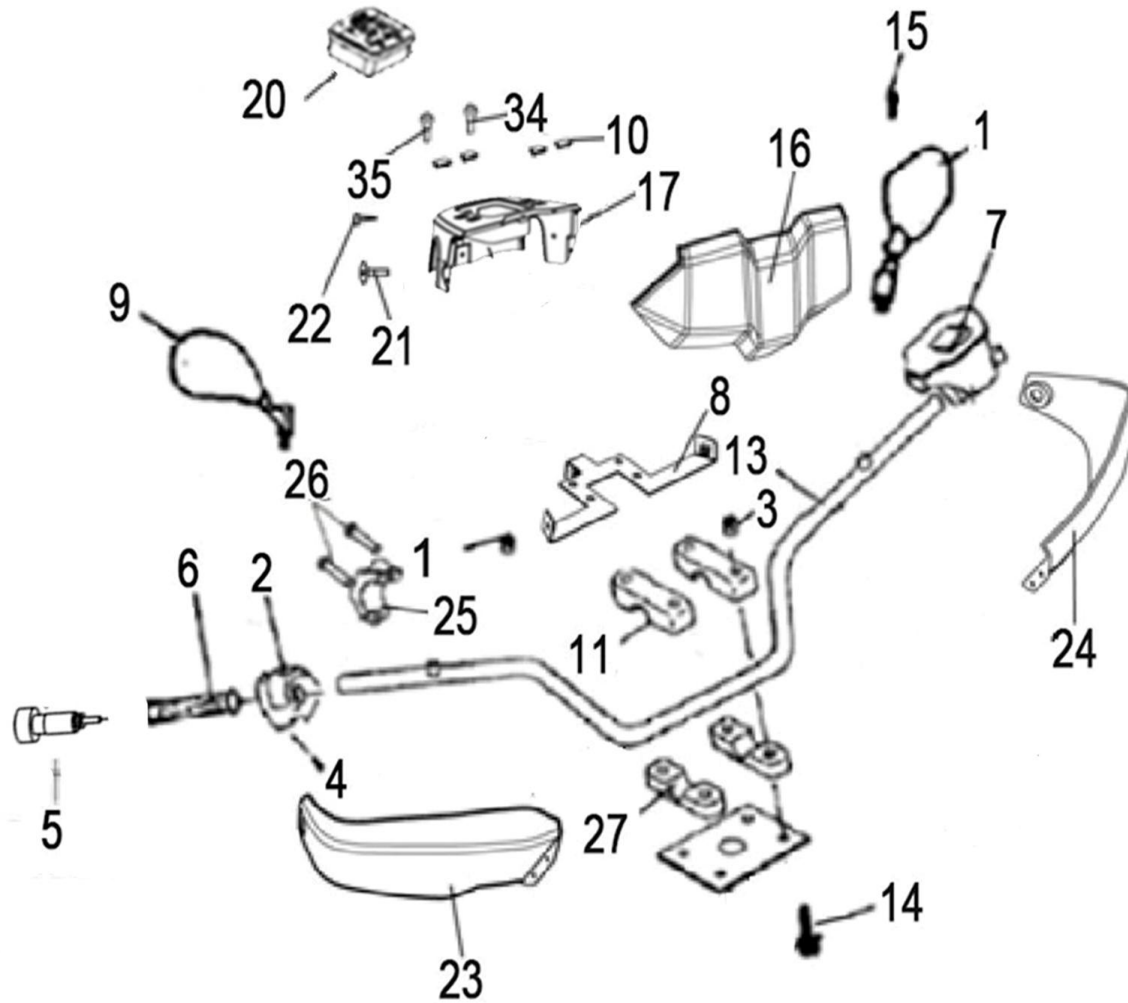
- 4X4 EL-ATV, 72V 150AH LI-ON

RESERVEDELSKATALOG TIL: 9071255 EL-ATV LH80DA LINHAI 4X4

BEMÆRK: MEDMINDRE ANDET ER ANGIVET, PASSER DELENE TIL ALLE MODELLER.



FIGUR 1 - HANDLEBAR

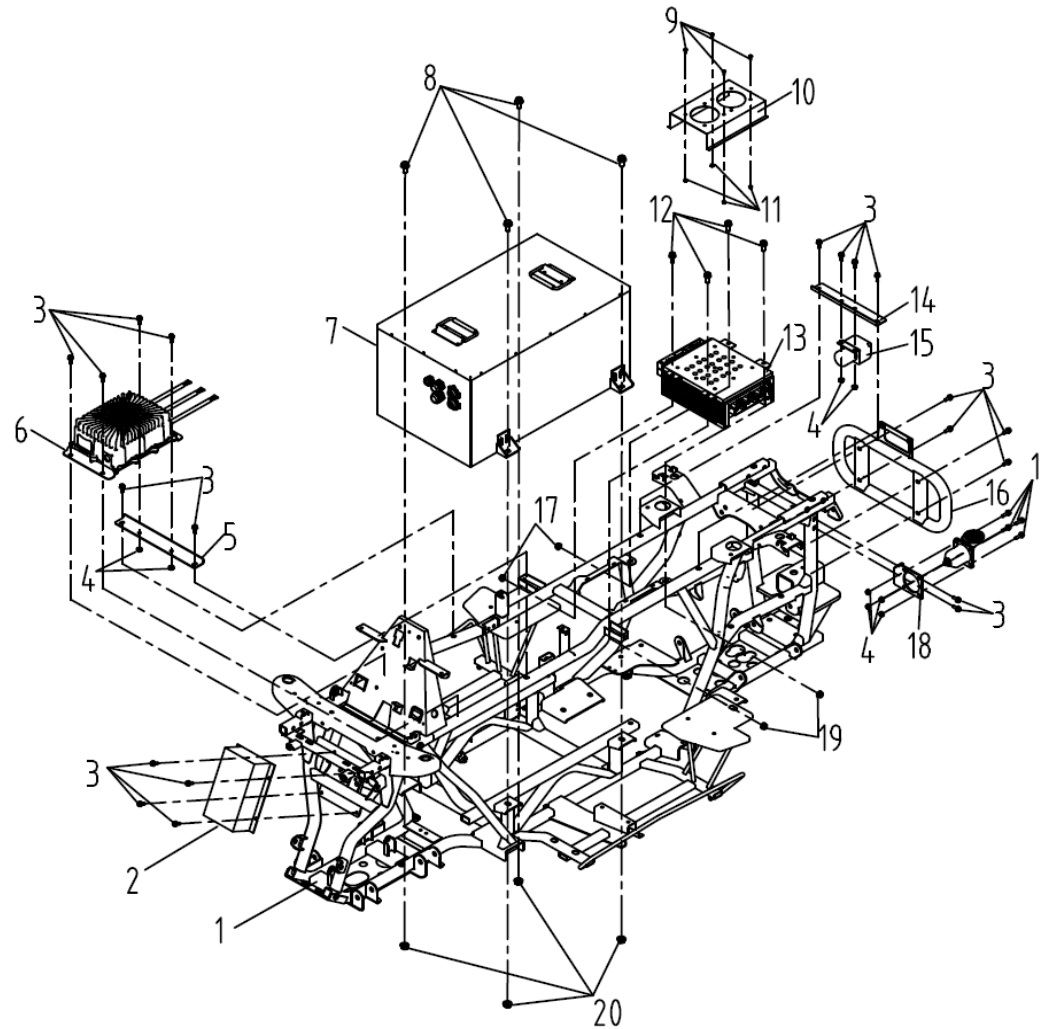


DELE TIL FIGUR 1

Pos	Varenr / item no	Model	Varenavn	Item name	OE	stk/qty
1	N/A			REAR VIEW MIRROR LEFT (ONLY FOR EUROPE) (MARK L-E9-00.1145)	36101	1
2	9075060		GASREGULERING (M/2WD/4WD KONTAKT)	SWITCH ASSY, R	37701	1
3	N/A			NUT M8	11455	9
4	9068689		BOLT M6X12	BOLT M6X12	10140B	1
5	9057966		ENDESTYKKE, STYR	NEW GUARD,HANDLEBAR END ASSY (MATCH WITH NEW HANDLEBAR)	72037	2
6	9057110		HÅNDTAG	GRIP	35727	2
7	9075061		KONTAKT, KOMPLET	SWITCH ASSY, L	37702	1
8	N/A			SPEEDOMETER BRACKET	36020	1
9	N/A			REAR VIEW MIRROR RIGHT (ONLY FOR EUROPE) (MARK R-E9-00.1145)	36103	1
10	N/A			SPEEDOMETER COVER CAP	70448	4
11	9057113		CLAMP F/STYR	HANDLEBAR CLAMP	20112a	2
13	N/A			HANDLEBAR	37703	1
14	N/A			BOLT M8X80	11244	4
15	N/A			SCREW M6X12	11532	2
16	N/A	BLACK		FRONT SPEEDOMETER COVER(BLACK)(INJECTION MODEL)	361161H	1
	9067701	RED	COVER T/SPEEDOMETER FRONT RØDT	FRONT SPEEDOMETER COVER(RED)(INJECTION MODEL)	361162G	1
	N/A	WHITE		FRONT SPEEDOMETER COVER(WHITE)(INJECTION MODEL)	361166F	1
	N/A	WHITE		FRONT SPEEDOMETER COVER(WHITE)(INJECTION MODEL)	361164P	1
	N/A	CONCEAL CAMO		FRONT SPEEDOMETER COVER(CONCEAL CAMO)(PAINTING)	361167F	1
	N/A	DESERT YELLOW		FRONT SPEEDOMETER(DESERT YELLOW)(PAINTING)	361164M	1
17	N/A			REAR SPEEDOMETER COVER	37704	1
20	9075062		LCD SPEEDOMETER	LCD SPEEDOMETER	37705	1

Pos	Varenr / item no	Model	Varenavn	Item name	OE	stk/qty
21	9039399		SKRUE 6X16	SCREW M6X16	10420	12
22	N/A			SCREW ST4.8X12	10520	4
23	N/A			HANDLEBAR COVER RIGHT (NEW MODEL)	36288	1
24	N/A			HANDLEBAR COVER LEFT (NEW MODEL)	36289	1
25	9045066		OVERFALD F/ SPEJLBESLAG	DOWN HOLDER, REAR VIEW MIRROR	25526	1
26	N/A			BOLT M6X20	10008	2
27	N/A			HANDLEBAR DOWN CLAMP	36437	2
28	N/A			NUT M6	10913	2
29	N/A			TENSIONING BLOCK	72035	2
30	N/A			BALANCE WEIGHT	72036	2
31	N/A			SCREW M6X70	10940	2
34	N/A			A KEY FUNCTION	73329	1
35	N/A			THE TWO KEY FUNCTION	36153	1

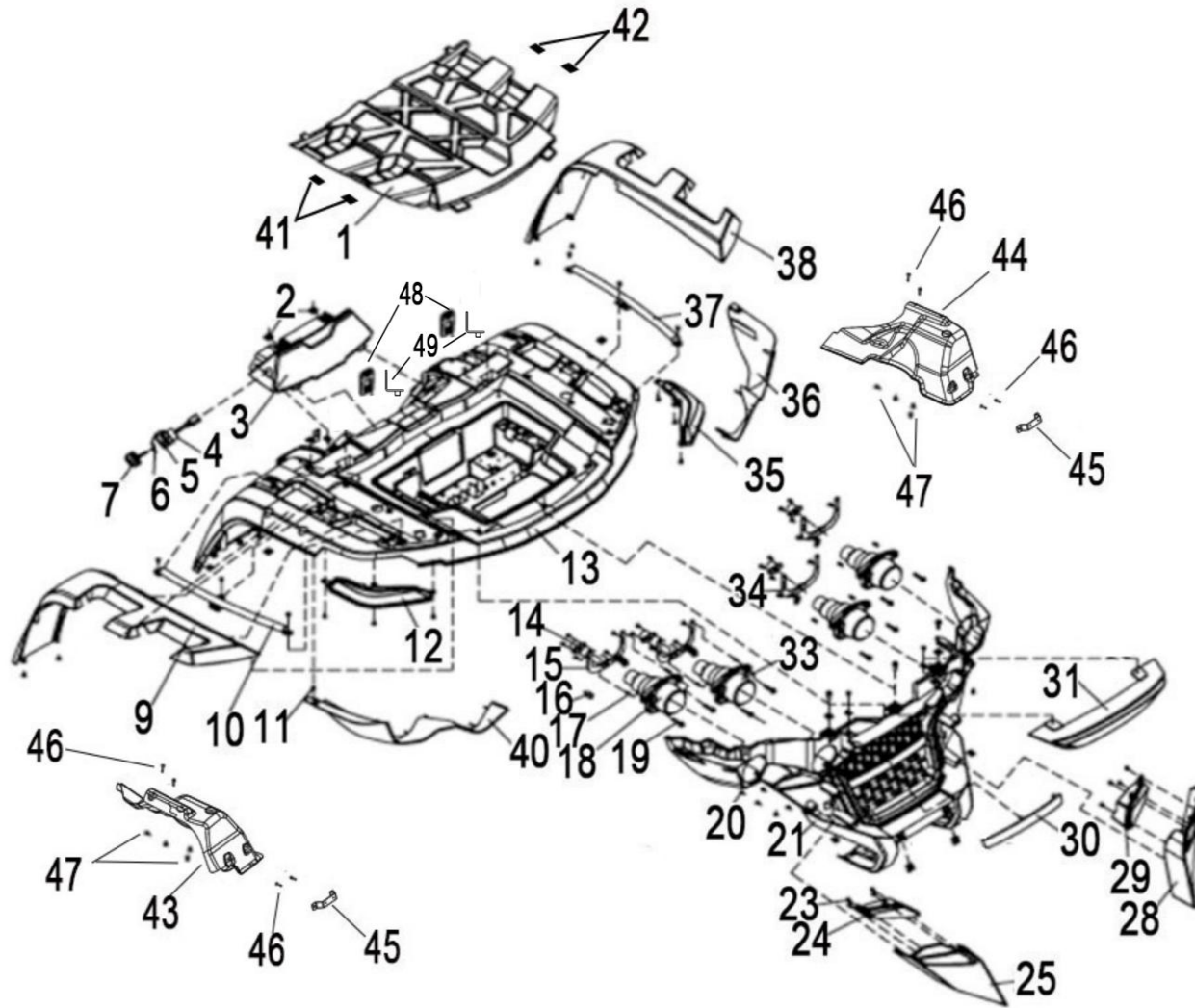
FIGUR 2 - FRAME ASSY



DELE TIL FIGUR 2

Pos	Varenr / item no	Model	Varenavn	Item name	OE	stk/qty
1	N/A			FRAME	37706	1
2	9075063		JÆVNSTRØMSENSRETTER	DC-DC	37707	1
3	N/A			BOLT M6X16	10812	20
4	N/A			NUT M6	10913	2
5	N/A			REAR CHARGER MOUNTING BRACKETCHARGER.	37708	1
6	N/A			CHARGER	37709	1
7	N/A			BATTERY PACK	37710	1
7	N/A			BATTERY PACK (MATCH FOR 4EC- 82111-10 BETTERY CHARGER)	37798	1
8	N/A			BOLT M10X20	11891	4
9	N/A			SCREW ST4.2X13	10178	4
10	N/A			CONTROLLER FAN	55226	1
11	N/A			NUT M4	11044	4
12	N/A			BOLT M8X20	10783	4
13	9075064		STYREBOKS	MOTOR CONTROLLER	37711	1
14	N/A			CONTACTOR PLATE	37712	1
15	N/A			DC CONTACTOR	37568	1
16	N/A			REAR PROTECTIVE	37713	1
17	9034625		BOLT M6X20	BOLT M6X20	10110	4
18	N/A			CHARGING PORT PLATE	37714	1
19	N/A			NUT M8	10776	4
20	N/A			NUT M10	10015A	4

FIGUR 3 - FRONT BODY & FRAM



DELE TIL FIGUR 3

Pos	Varenr / item no	Model	Varenavn	Item name	OE	stk/qty
1	9062335		COVER VÆRKTØJSKASSE	FRONT TOOL BOX COVER	36034	1
2	9049186		CLIPS MØTRIK M6 PLADECLIPS	FLEXIBLE MOUNTING NUT	70960	20
3	9062337		COVER F BENZINTANK	FRONT COVER OF FUEL TANK	36047	1
4	9045060		TÆNDINGSLÅS / NØGLEKONTAKT	IGNITION SWITCH WITH KEY	27457	1
5	9039404		MØTRIK F. TÆNDINGSKONTAKT	THREADED NUT	25004	1
6	N/A			KEY BLANK	25003	1
7	9039406		DÆKSEL F. TÆNDINGSKONTAKT	IGNITION SWITCH COVER	27257	1
9	N/A	SILVER		FRONT RIGHT TRIM COVER (USED FOR NO ASSEMBLE FRONTRACK) (SILVER)(PAINTING)	360336C	1
	N/A	CONCEAL CAMO		FRONT RIGHT TRIM COVER (USED FOR NO ASSEMBLE FRONTRACK) (CONCEAL CAMO)(PAINTING)	360337F	1
	N/A	TITANIUM ALLOYS		FRONT RIGHT TRIM COVER (USED FOR NO ASSEMBLE FRONTRACK) (TITANIUM ALLOYS)(PAINTING)	360338A	1
	N/A	DESERT YELLOW		FRONT RIGHT TRIM COVER (USED FOR NO ASSEMBLE FRONTRACK) (DESERT YELLOW)(PAINTING)	360334M	1
	N/A	SILVER		FRONT RIGHT TRIM COVER (USED FOR ASSEMBLE FRONTRACK) (SILVER) (PAINTING)	36033A6C	1
	N/A	CONCEAL CAMO		FRONT RIGHT TRIM COVER (USED FOR ASSEMBLE FRONTRACK) (CONCEAL CAMO)(PAINTING)	36033A7F	1
	N/A	TITANIUM ALLOYS		FRONT RIGHT TRIM COVER (USED FOR ASSEMBLE FRONTRACK) (TITANIUM ALLOYS)(PAINTING)	36033A8A	1
	N/A	DESERT YELLOW		FRONT RIGHT TRIM COVER (USED FOR ASSEMBLE FRONTRACK) (DESERT YELLOW)(PAINTING)	36033A4M	1

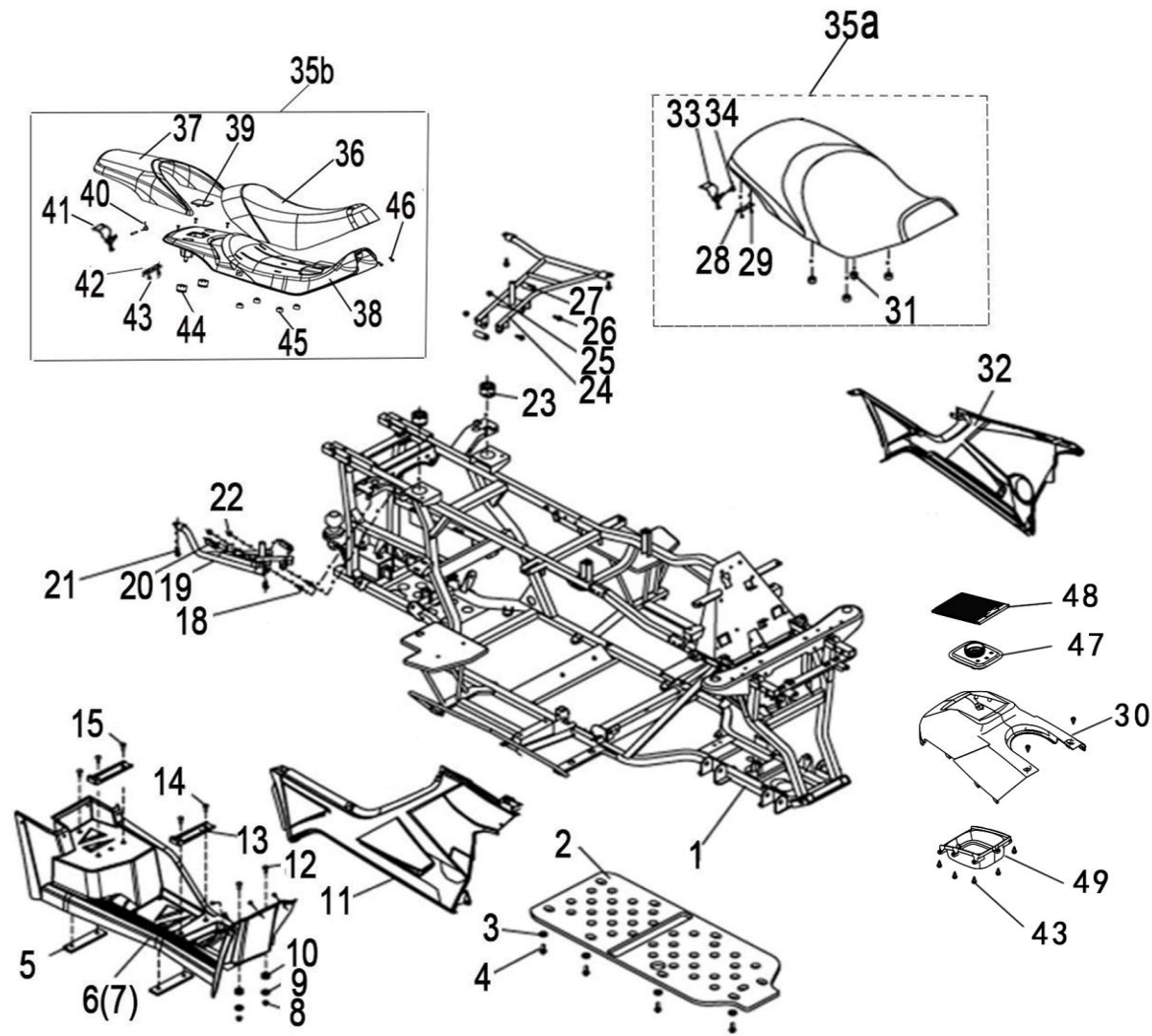
Pos	Varenr / item no	Model	Varenavn	Item name	OE	stk/qty
10	9062332		COVER HØJRE BÆRENDE RØR	THE FRONT COVER OF THE RIGHT SUPPORTING TUBE ASSEMBLY	36092	1
11	N/A			SCREW ST4.2X13	10178	2
12	9057467		BLINKLYGTE, HØJRE FRONT	FRONT TURN LIGHT R	36126	1
13	9057465		FRONT COVER	FRONT COVER (USED FOR NO ASSEMBLE FRONTRACK)	36031	1
14	9039436		KUGLEFORBINDELSE	BALL JOINT, HEADLIGHT	27371	4
15	9057463		BESLAG, HØJRE FORLYGTE	RIGHT HEADLIGHT BRACKET ASSEMBLY	36059	2
16	N/A			RUBBER COVER	25608	6
17	N/A			SPRING	27373	8
18	9057147		FORLYS, LANGT LYS	HIGH BEAM HEADLIGHT	27455	2
19	N/A			ADJUSTMENT BOLT, HEADLIGHT	27372	8
20	N/A			SCREW ST4.8X16	11088	48
21	9057455		KØLERGITTER	FRONT VENTILATION GRID	36024	1
23				SCREW ST4.8X13	11195	12
24	9057459		LYS - FRONT, HØJRE	THE FRONT RIGHT RIHANG LAMP	36130	1
25	N/A	SILVER		FRONT LOWER RIGHT DECORATIVE COVER(SILVER)(PAINTING)	360276C	1
	N/A	CONCEAL CAMO		FRONT LOWER RIGHT DECORATIVE COVER(CONCEAL CAMO)(PAINTING)	360277F	1
	N/A	TITANIUM ALLOYS		FRONT LOWER RIGHT DECORATIVE COVER(TITANIUM ALLOYS)(PAINTING)	360278A	1
	N/A	DESERT YELLOW		FRONT LOWER RIGHT DECORATIVE COVER(DESERT YELLOW)(PAINTING)	360274M	1
26	N/A			BOLT M6X16	10183W	13
27	N/A			TRACTOR COVER PLATE	36025	1
28	N/A	SILVER		FRONT LOWER LEFT DECORATIVE COVER(SILVER)(PAINTING)	360266C	1
	N/A	CONCEAL CAMO		FRONT LOWER LEFT DECORATIVE COVER(CONCEAL CAMO)(PAINTING)	360267F	1

Pos	Varenr / item no	Model	Varenavn	Item name	OE	stk/qty
28	N/A	TITANIUM ALLOYS		FRONT LOWER LEFT DECORATIVE COVER(TITANIUM ALLOYS) (PAINTING)	360268A	1
	N/A	DESERT YELLOW		FRONT LOWER LEFT DECORATIVE COVER(DESERT YELLOW)(PAINTING)	360264M	1
29	9057458		LYS - FRONT, VENSTRE	THE FRONT LEFT RIHANG LAMP	36129	1
30	9063167		FRONT MIDTERSTYKKE	FRONT TRIM PANEL	36035	1
31	9057464	SILVER	FRONT COVER - DECO	FRONT DECORATIVE COVER(SILVER)(PAINTING)	360306C	1
	N/A	CONCEAL CAMO		FRONT DECORATIVE COVER(CONCEAL CAMO)(PAINTING)	360307F	1
	N/A	TITANIUM ALLOYS		FRONT DECORATIVE COVER(TITANIUM ALLOYS)(PAINTING)	360308A	1
	N/A	DESERT YELLOW		FRONT DECORATIVE COVER(DESERT YELLOW)(PAINTING)	360304M	1
33	9057149		KØRELYS / FORLYGTE	DIPPED BEAM HEADLIGHT (MARK " HS1 12V 35W/35W ")	27456	2
34	9057462		BESLAG, VENSTRE FORLYGTE	LEFT HEADLIGHT BRACKET ASSEMBLY	36058	2
35	9057466		BLINKLYGTE, VENSTRE FRONT	FRONT TURN LIGHT L	36124	1
36	9057460	BLACK	LYSINDSATS - FRONT, VENSTRE	LEFT FRONT HEADLIGHT FRAME (BLACK)(INJECTION MODEL)	360281H	1
	N/A	RED		LEFT FRONT HEADLIGHT FRAME (RED)(INJECTION MODEL)	360282G	1
	N/A	WHITE		LEFT FRONT HEADLIGHT FRAME (WHITE)(INJECTION MODEL)	360286F	1
	N/A	DESERT YELLOW		LEFT FRONT HEADLIGHT FRAME (DESERT YELLOW)(INJECTION MODEL)	360284P	1
	N/A	CONCEAL CAMO		LEFT FRONT HEADLIGHT FRAME (CONCEAL CAMO)(PAINTING)	360287F	1
	N/A	DESERT YELLOW		LEFT FRONT HEADLIGHT FRAME (DESERT YELLOW)(PAINTING)	360284M	1

Pos	Varenr / item no	Model	Varenavn	Item name	OE	stk/qty
37	9062329		COVER VENSTRE BÆRENDE RØR	<i>THE FRONT COVER OF THE LEFT SUPPORTING TUBE ASSEMBLY</i>	36091	1
38	N/A	SILVER		<i>FRONT LEFT TRIM COVER(USED FOR NO ASSEMBLE FRONT RACK)(SILVER)(PAINTING)</i>	360326C	1
	N/A	CONCEAL CAMO		<i>FRONT LEFT TRIM COVER(USED FOR NO ASSEMBLE FRONT RACK)(CONCEAL CAMO)(PAINTING)</i>	360327F	1
	N/A	TITANIUM ALLOYS		<i>FRONT LEFT TRIM COVER(USED FOR NO ASSEMBLE FRONT RACK)(TITANIUM ALLOYS)(PAINTING)</i>	360328F	1
	N/A	DESERT YELLOW		<i>FRONT LEFT TRIM COVER(USED FOR NO ASSEMBLE FRONT RACK) (DESERT YELLOW)(PAINTING)</i>	360324M	1
	N/A	SILVER		<i>FRONT LEFT TRIM COVER(USED FOR ASSEMBLE FRONT RACK)(SILVER) (PAINTING)</i>	36032a6C	1
	N/A	CONCEAL CAMO		<i>FRONT LEFT TRIM COVER(USED FOR ASSEMBLE FRONT RACK)(CONCEAL CAMO)(PAINTING)</i>	36032a7F	1
	N/A	TITANIUM ALLOYS		<i>FRONT LEFT TRIM COVER(USED FOR ASSEMBLE FRONT RACK)(TITANIUM ALLOYS)(PAINTING)</i>	36032A8F	1
	N/A	DESERT YELLOW		<i>FRONT LEFT TRIM COVER(USED FOR ASSEMBLE FRONT RACK)(DESERT YELLOW)(PAINTING)</i>	36032A4M	1
40	9057461	BLACK	LYSINDSATS - FRONT, HØJRE	<i>RIGHT FRONT HEADLIGHT FRAME (BLACK) (BLACK)(INJECTION MODEL)</i>	360291H	1
	N/A	RED		<i>RIGHT FRONT HEADLIGHT FRAME (RED)(INJECTION MODEL)</i>	360292G	1
	N/A	WHITE		<i>RIGHT FRONT HEADLIGHT FRAME (WHITE)(INJECTION MODEL)</i>	360296F	1

Pos	Varenr / item no	Model	Varenavn	Item name	OE	stk/qty
40	N/A	DESERT YELLOW		RIGHT FRONT HEADLIGHT FRAME (DESERT YELLOW)(INJECTION MODEL)	360294P	1
	N/A	CONCEAL CAMO		RIGHT FRONT HEADLIGHT FRAME (CONCEAL CAMO)(PAINTING)	360297F	1
	N/A	DESERT YELLOW		RIGHT FRONT HEADLIGHT FRAME (DESERT YELLOW)(PAINTING)	360294M	1
41	N/A			FRONT TOOL COVER RIGHT BUFFER SPONGE	38194	2
42	N/A			FRONT TOOL COVER LEFT BUFFER SPONGE	38195	2
43	N/A			LEFT FRONT BAFFLE	38196	1
44	N/A			RIGHT FRONT BAFFLE	38197	1
45	N/A			FRONT BAFFLE LEFT MOUTING BRACKET	38198	2
46	9049576		SKRUE M6X16	LARGE FLAT HEAD SCREW M6X16	73054	8
47	N/A			NUT M6	10913	8
48	N/A			TOOLBOX LOCK	36082	2
49	N/A			FRONT PLATE, TOOLBOX LOCK	38248	2

FIGUR 4 - MIDDLE FENDERS & FRAM



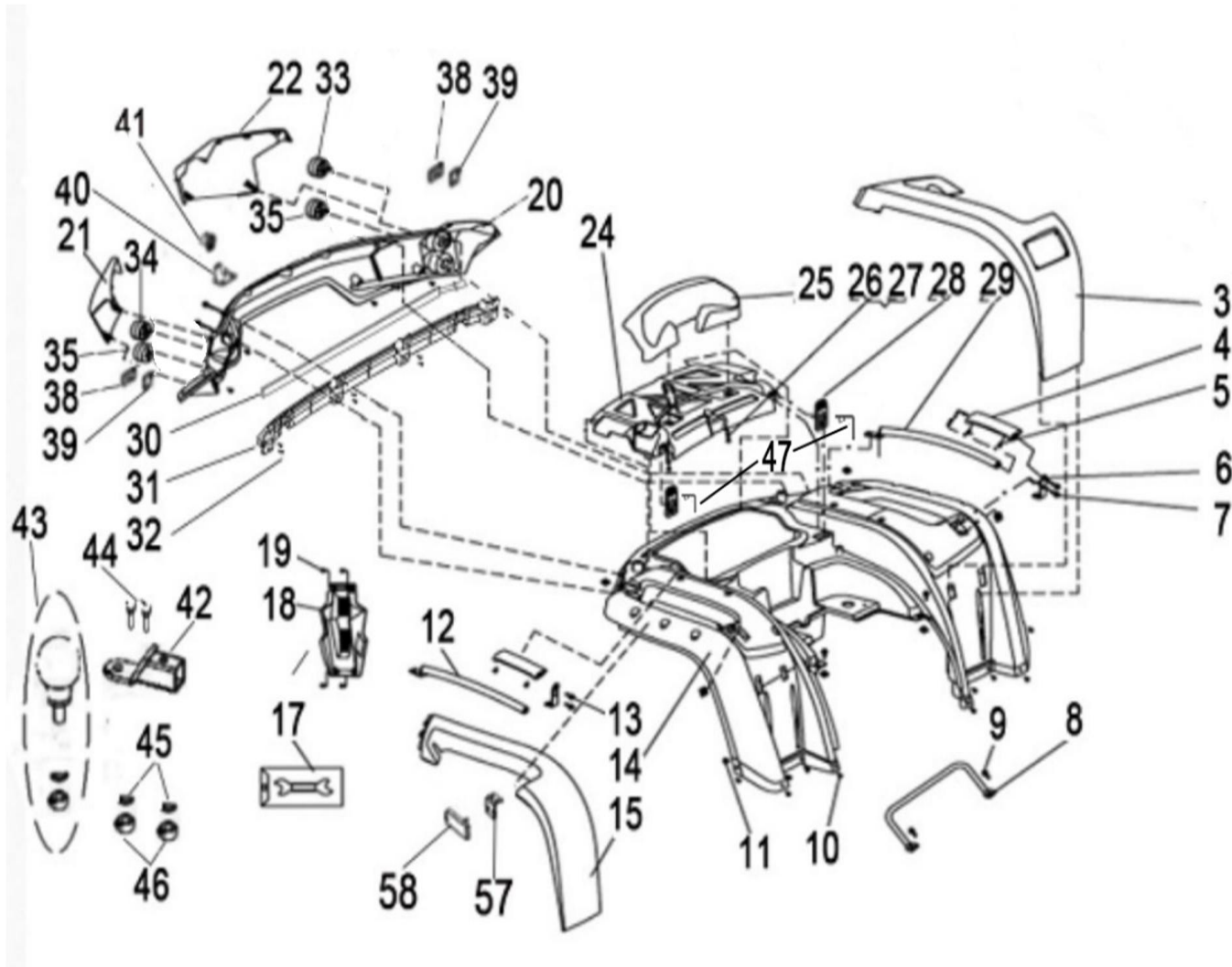
DELE TIL FIGUR 4

Pos	Varenr / item no	Model	Varenavn	Item name	OE	stk/qty
1	N/A			FRAME ASSY.	37706	1
2	N/A			PLASTIC PLANT	36427	1
3	N/A			WASHER 6	20331	8
4	N/A			BOLT M6X18	11194	8
5	9057144		GUMMIUNDERLÆG	RUBBER WASHER	70300	4
6	9063166		TRINBRÆT/FODSTØTTE, VENSTRE	FOOTREST LEFT	36425	1
7	9063290		TRINBRÆT/FODSTØTTE, HØJRE	FOOTREST RIGHT	36426	1
8	9034694		MØTRIK M6	NUT 6	10004	30
9	9058036		BØSNING, TANK	FUEL TANK BUFFER SLEEVE	36065	10
10	N/A			FUEL TANK BUFFER SLEEVE	36064	10
11	N/A	BLACK		SIDE COVER R (BLACK) (INJECTION MODEL)	364101H	1
	N/A	RED		SIDE COVER R (RED) (INJECTION MODEL)	364102G	1
	N/A	WHITE		SIDE COVER R (WHITE) (INJECTION MODEL)	364106F	1
	N/A	DESERT YELLOW		SIDE COVER R (DESERT YELLOW) (INJECTION MODEL)	364104P	1
	N/A	CONCEAL CAMO		SIDE COVER R (CONCEAL CAMO) (PAINTING)	364107F	1
	N/A	DESERT YELLOW		SIDE COVER R (DESERT YELLOW) (PAINTING)	364104M	1
12	N/A			SCREW M6X30	29517	34
13	N/A			STEP	70336	4
14	N/A			BOLT M6X20	11449	4
15	N/A			BOLT M6X40	10177A	4
18	N/A			BOLT M8X70	25056	2
19	N/A			TRESTLE RIGHT	36417	1
20	N/A			SLEEVE	36445	2
21	N/A			BOLT M6X16	10183W	4
22	N/A			NUT 8	11442	2

Pos	Varenr / item no	Model	Varenavn	Item name	OE	stk/qty
23	9039611		GUMMIDÆMPER	RUBBER, SEAT SETTING 2	70445	2
24	N/A			TRESTLE LEFT	36416	1
25	N/A			NUT 8	11442	2
26	N/A			BOLT M8X70	25056	2
27	N/A			SLEEVE	36445	2
28	N/A			CUSHION PLATE	70803	1
29	N/A			SCREW ST4.2X13	10178	25
30	N/A			ELECTRONIC SHIFT COVER	37716	1
	N/A	BLACK		ELECTRONIC SHIFT COVER (OVERHEAD FUEL PUMP) (BLACK) (INJECTION MODEL)	377161H	1
	N/A	WHITE		ELECTRONIC SHIFT COVER (OVERHEAD FUEL PUMP) (RED) (INJECTION MODEL)	377162G	1
	N/A	WHITE		ELECTRONIC SHIFT COVER (OVERHEAD FUEL PUMP) (WHITE) (INJECTION MODEL)	377166F	1
	N/A	DESERT YELLOW		ELECTRONIC SHIFT COVER (OVERHEAD FUEL PUMP)(DESERT YELLOW) (INJECTION MODEL)	377164P	1
	N/A	CONCEAL CAMO		ELECTRONIC SHIFT COVER(OVERHEAD FUEL PUMP) (CONCEAL CAMO) (PAINTING)	377167F	1
	N/A	DESERT YELLOW		ELECTRONIC SHIFT COVER (OVERHEAD FUEL PUMP) (DESERT YELLOW)(PAINTING)	377164M	1
31	9030711		GUMMIDUPPER 1 FORREST	RUBBER, SEAT SETTING 1	25042	4
32	N/A	BLACK		SIDE COVER L (BLACK) (INJECTION MODEL)	364091H	1
	N/A	RED		SIDE COVER L (RED) (INJECTION MODEL)	364092G	1
	N/A	WHITE		SIDE COVER L (WHITE) (INJECTION MODEL)	364096F	1

Pos	Varenr / item no	Model	Varenavn	Item name	OE	stk/qty
32	N/A	DESERT YELLOW		SIDE COVER L (DESERT YELLOW)(INJECTION MODEL)	364094P	1
	N/A	CONCEAL CAMO		SIDE COVER L (CONCEAL CAMO) (PAINTING)	364097F	1
	N/A	DESERT YELLOW		SIDE COVER L (DESERT YELLOW) (PAINTING)	364094M	1
33	9049268		LÅSEKROG	HOOK BRACKET, SEAT LOCK	70788	1
34	9049217		FJEDER F/ LÅSEKROG	SPRING	70802	1
35a	9063247		SÆDE, KOMPLET (STORT)	SEAT (WHOLE)	36252	1
35b	N/A			SEAT(SPLIT)	35873	1
36	N/A			FRONT SEAT	36412	1
37	9066019		SÆDEDEL BAGERST	REAR SEAT	36413	1
38	N/A			SEAT COVER	36415	1
39	N/A			LITTLE COVER	36414	1
40	9049217		FJEDER F/ LÅSEKROG	SPRING	70802	1
41	9049268		LÅSEKROG	HOOK BRACKET, SEAT LOCK	70788	1
42	N/A			CUSHION PLATE	70803	1
43	N/A			SCREW ST4.2X13	10178	10
44	9039611		GUMMIDÆMPER	RUBBER, SEAT SETTING 2	70445	2
45	9030711		GUMMIDUPPER 1 FORREST	RUBBER, SEAT SETTING 1	25042	4
46	9068689		BOLT M6X12	BOLT M6X12	10140B	8
47	N/A			ELECTRONIC SHIFT	37717	1
48	N/A			ELECTRONIC SHIFT BAFFLE	37718	1
49	N/A			ELECTRONIC SHIFT BOX	37719	1

FIGUR 5 - REAR FENDERS



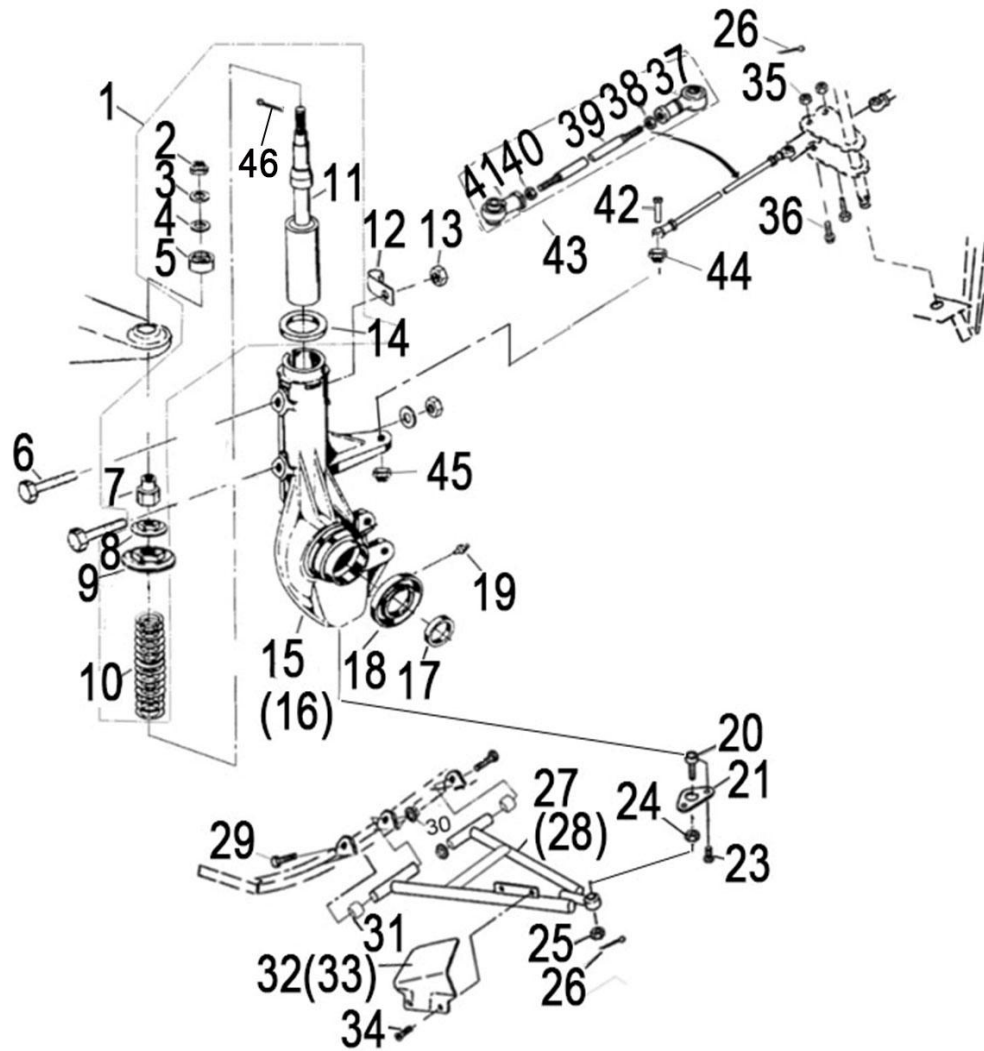
DELE TIL FIGUR 5

Pos	Varenr / item no	Model	Varenavn	Item name	OE	stk/qty
3	N/A	SILVER		REAR LEFT TRIM COVER 1 (SILVER)(PAINTING)	360376C	1
	N/A	CONCEAL CAMO		REAR LEFT TRIM COVER 1 (CONCEAL CAMO)(PAINTING)	360377F	1
	N/A	TITANIUM ALLOYS		REAR LEFT TRIM COVER 1 (TITANIUM ALLOYS)(PAINTING)	360378A	1
	N/A	DESERT YELLOW		REAR LEFT TRIM COVER 1(DESERT YELLOW)(PAINTING)	360374M	1
4	N/A			ARM RUBBER SLEEVE	36083	2
5	N/A			BOLT	36446	4
6	N/A			CONNECTING PLATE OF ARM TUBE	36090	2
7	N/A			BOLT M6X12	11031	2
8	N/A			LATCH ASSEMBLY	36081	1
9	N/A			SCREW M6X20	11449	2
10	9039399		SKRUE 6X16	SCREW M6X16	10420	12
11	N/A			NUT 6	10913	12
12	N/A			RIGHT REAR ARM TUBE ASSEMBLY	36089	1
13	N/A			BOLT M6X12	11031	2
14	N/A			REAR FENDER (TWO HOLE USED FOR ASSEMBLE REAR RACK)	36036a	1
15	N/A	SILVER		REAR RIGHT TRIM COVER 1 (SILVER) (PAINTING)	360386C	1
	N/A	CONCEAL CAMO		REAR RIGHT TRIM COVER 1 (CONCEAL CAMO) (PAINTING)	360387F	1
	N/A	TITANIUM ALLOYS		REAR RIGHT TRIM COVER 1 (TITANIUM ALLOYS) (PAINTING)	360388A	1
	N/A	DESERT YELLOW		REAR RIGHT TRIM COVER 1 (DESERT YELLOW) (PAINTING)	360384M	1
17	N/A			TOOL	25044	1
18	9057130		COVER, BAG	REAR DECORATION COVER	35498	1
19	N/A			BOLT M6X12	11031	4

Pos	Varenr / item no	Model	Varenavn	Item name	OE	stk/qty
20	9065484		HOLDER F/LEDBÅND	REAR LIGHT FRAME	35870	1
21	N/A	SILVER		REAR RIGHT TRIM COVER 2 (SILVER) (PAINTING)	360406C	1
	N/A	CONCEAL CAMO		REAR RIGHT TRIM COVER 2 (CONCEAL CAMO) (PAINTING)	360407F	1
	N/A	TITANIUM ALLOYS		REAR RIGHT TRIM COVER 2 (TITANIUM ALLOYS) (PAINTING))	360408A	1
	N/A	DESERT YELLOW		REAR RIGHT TRIM COVER 2 (DESERT YELLOW) (PAINTING)	360404M	1
22	N/A	SILVER		REAR LEFT TRIM COVER 2 (SILVER) (PAINTING)	360396C	1
	N/A	CONCEAL CAMO		REAR LEFT TRIM COVER 2 (CONCEAL CAMO) (PAINTING)	360397F	1
	N/A	TITANIUM ALLOYS		REAR LEFT TRIM COVER 2 (TITANIUM ALLOYS) (PAINTING)	360398A	1
	N/A	DESERT YELLOW		REAR LEFT TRIM COVER 2 (DESERT YELLOW) (PAINTING)	360394M	1
24	N/A			BACK TOOL BOX COVER	36043	1
25	9057454		BAGSTYKKE, KORT	SHORT BACK	36080	1
26	N/A			WASHER 6	10006	3
27	9034694		MØTRIK M6	NUT 6	10004	3
28	N/A			TOOLBOX LOCK	36082	2
29	N/A			LEFT REAR ARM ASSEMBLY	36088	1
30	N/A			LED LAMP BAND (BLUE) (ALTERNATIVE)	35871	1
	9065284		LEDBÅND BAG "RØD"	LED LAMP BAND (RED) (ALTERNATIVE)	35903	1
31	N/A			LAMP BELT MOUNTING PLATE	35878	1
32	N/A			SCREW ST4.8X13	11195	8
33	9057445		BLINKLYGTE, VENSTRE - BAG	LEFT REAR INDICATION LIGHT	36125	1
34	9057446		BLINKLYGTE, HØJRE - BAG	RIGHT REAR INDICATION LIGHT	36127	1
35	9057447		BAGLYS	TAILLIGHT	36132	2

Pos	Varenr / item no	Model	Varenavn	Item name	OE	stk/qty
38	9049284		BAG REFLEKS, RØD	REAR REFLECTOR	40319	2
39	N/A			REAR REFLECTOR MOUNTING PLATE	35758	2
40	N/A			BRACKET, LENS,LICENSE LIGHT (FOR YONG GUANG)	38154	1
41	N/A			LENS,LICENSE LIGHT (YONG GUANG)	38155	1
42	9057941		TRÆK	THE TRACTION BALL WELDING COMPONENTS	25295	1
43	N/A			PULL THE BALL	25294	1
44	N/A			BOLT M16X85	10865	2
45	9033832		FJEDERSKIVE, 16 MM	WASHER 16	27050	2
46	N/A			NUT M16	10874	2
47	N/A			REAR PLATE, TOOLBOX LOCK	38246	2
57	N/A			SIDE REFLECTOR, PLATE	35759	2
58	N/A			SIDE REFLECTOR	35760	2

FIGUR 6 - SHOCK ABSORBER FRONT

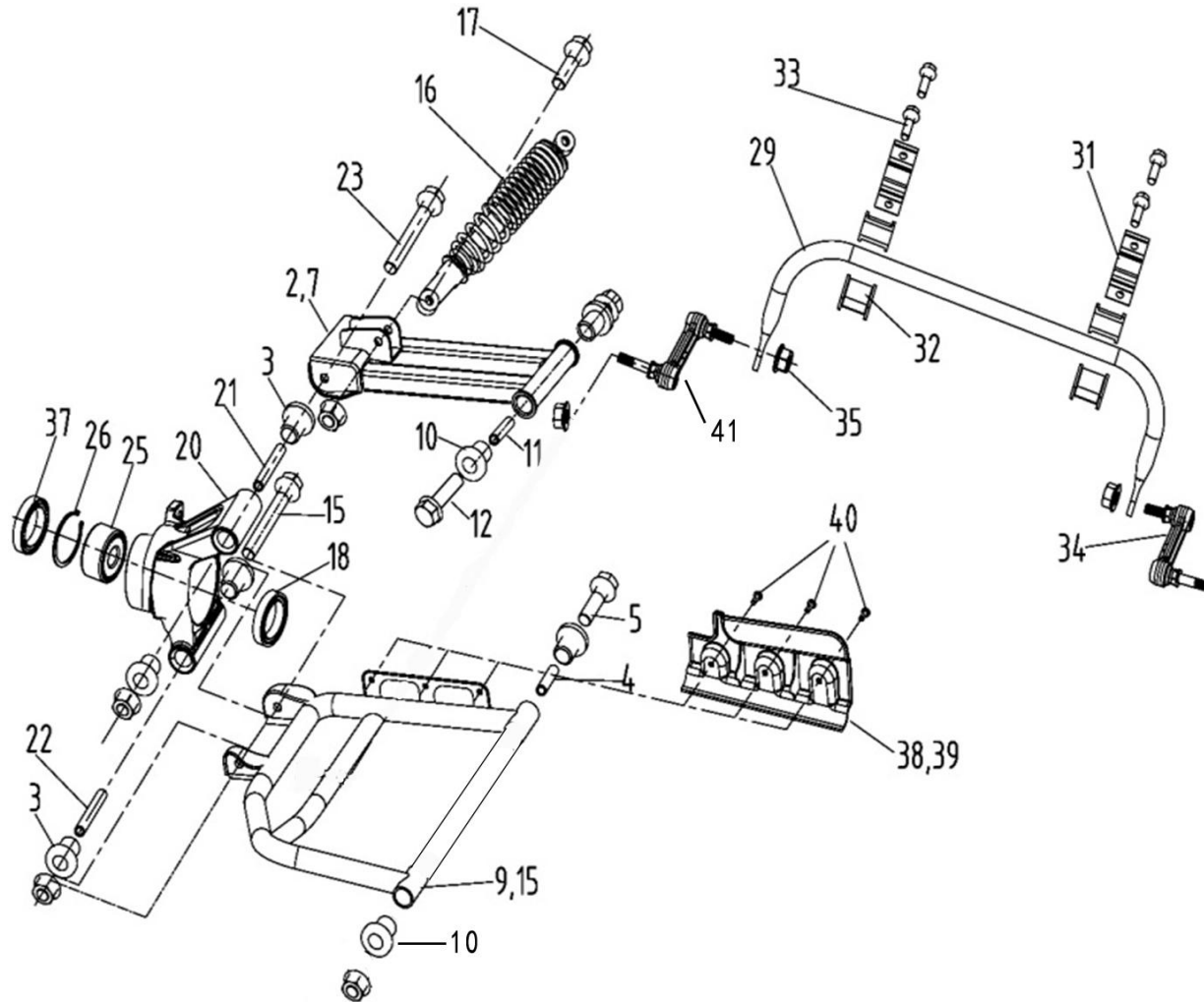


DELE TIL FIGUR 6

Pos	Varenr / item no	Model	Varenavn	Item name	OE	stk/qty
1	9057477		STØDDÆMPER, FRONT - KOMPLET	FRONT SHOCK ABSORBER ASS.	36159	2
2	N/A			NUT M14X1.5	11196	2
3	9034784		SKIVE	WASHR 14	21802	2
4	9029718		AFSTANDSGUMMI	SPACER RUBBER	21803	2
5	9029652		FJEDERBENSLEJE ØVERST	UPPER PIVOT BALL	21804	2
6	N/A			BOLT M8X55	11540	4
7	9034852		MØTRIK	NUT M14X1.5	21806	2
8	9029653		FJEDERBENSLEJE NEDERST	LOWER PIVOT BALL	21807	2
9	9029654		FJEDERSKÅL	SPRING RETAINER	21808	2
10	N/A			SPRING	36160	2
11	9070090		STØDDÆMPER, FRONT	STRUT BUMPER	38203	2
12	N/A			CLAMP	32104	2
13	N/A			NUT M8	11541	4
14	9030095		FJEDERSKÅL	SPRING RETAINER	21813	2
15	N/A			STRUT BODY LEFT	72157	1
16	N/A			STRUT BODY RIGHT	72158	1
17	9034757		LÅSERING	CIRCLIP	26912	2
18	9034759		FORHJULSLEJE	BEARING	26913	2
19	N/A			GREASE FITTING	27074	2
20	9030061		BÆREARMS TAP	BALL JOINT STUD	20512	2
21	9030062		HOLDER BÆREARMS BOLT	BALL JOINT MOUNTING BRACKET	20513	2
23	N/A			BOLT M6X12	11151	4
24	N/A			WASHER	11197	2
25	9034777		MØTRIK	NUT M10X1.25	27067	2
26	N/A			COTTER PIN 2.5X25	27215	2
27	9030009		BÆREARM VENSTRE	A-ARM LEFT	20518F	1
28	9029800		BÆREARM HØJRE	A-ARM RIGHT	20627F	1
29	9029798		BÆREARMSAKSEL	A-ARM PIVOT SHAFT	20522f	2
30	9033896		MØTRIK M12X1,25	NUT M12X1.25	10136	4
31	9029799		BØSNING F/BÆREARM, 34X12,3X50	BUSHING	20524F	4
32	9030010		BÆREARMS BESKYTTER VENSTRE	A - ARM SHIELD LEFT	20519	1

Pos	Varenr / item no	Model	Varenavn	Item name	OE	stk/qty
33	9030011		BÆREARMS BESKYTTER HØJRE	<i>A - ARM SHIELD RIGHT</i>	20628	1
34	N/A			<i>SCREW M5X12</i>	11470	4
35	9031005		MØTRIK	<i>NUT M10X1.25</i>		2
36	9034175		BOLT	<i>BOLT M10X1.25X55</i>	10016	2
37	9030064		SPORSTANGSENDE A	<i>TIE ROD END A</i>	20503	2
38	N/A			<i>JAM NUT(RIGHT)</i>	11198	2
39	N/A			<i>TIE ROD(NEW MODEL)</i>	36147	2
40	N/A			<i>JAM NUT(LEFT)</i>	20506	2
41	9030065		SPORSTANGSENDE B	<i>TIE ROD END B</i>	20507	2
42	N/A			<i>BOLT</i>	35722	2
43	9070091		SPORSTANG, KOMPLET	<i>TIE ROD ASSY(NEW MODEL)</i>	36146	2
44	9057158		T-MUFFE, FRONT	<i>FRONT T TYPE</i>	35017	1
45	9057159		T-MUFFE, NED	<i>DOWN T TYPE</i>	35018	1

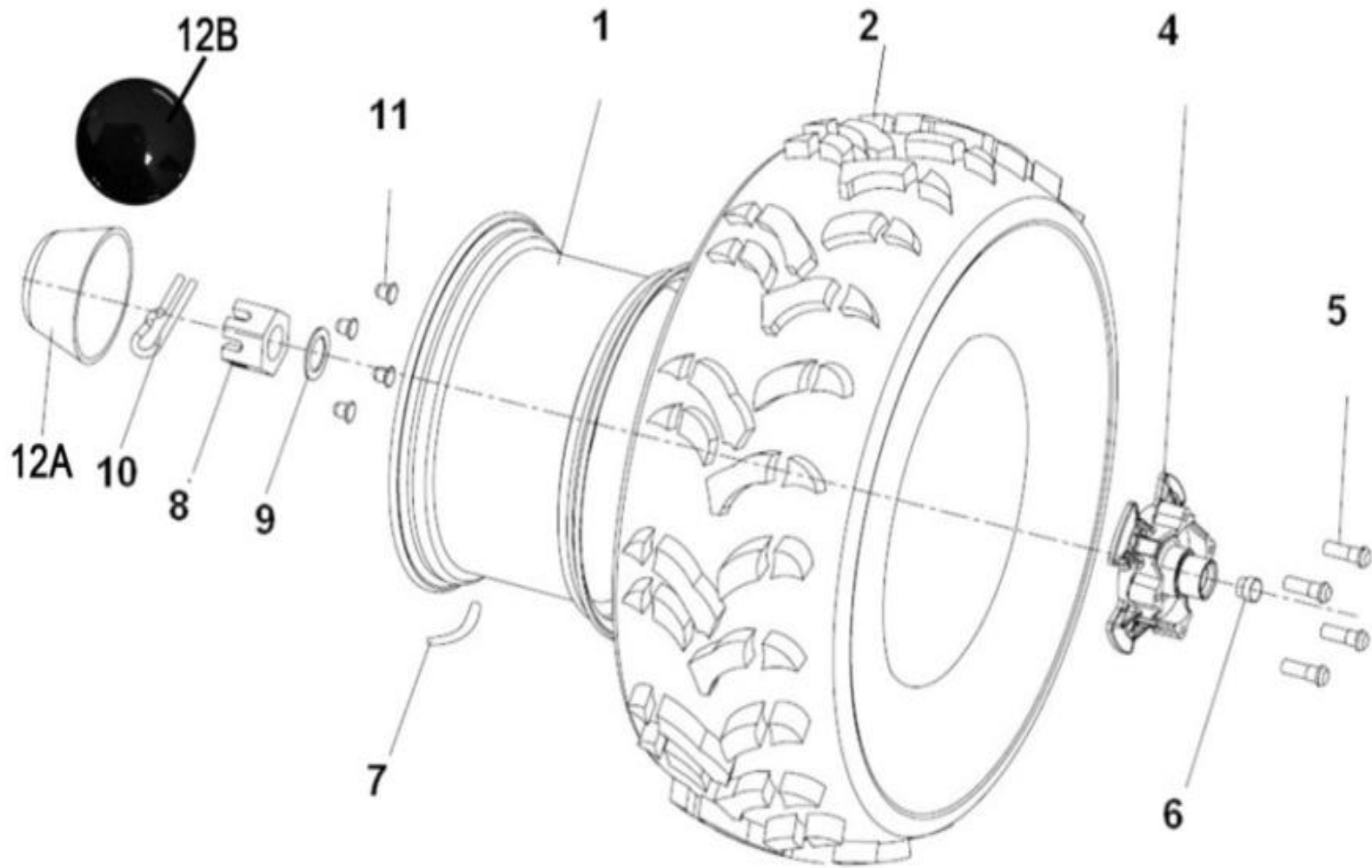
FIGUR 7 - REAR ARM



DELE TIL FIGUR 7

Pos	Varenr / item no	Model	Varenavn	Item name	OE	stk/qty
2	N/A			ARM, L. RR	37720	1
3	9039665		GUMMIBØSNING B. Ø BÆREARM	BUSH 1, ARM, R. RR	70682	8
4	9049302		RØRBØSNING F/ BN BÆREARM	COLLAR	70687	2
5	9049244		BOLT F/ BÆREARM M10X230X1	BOLT M10X1.25X80	70688	4
7	N/A			ARM, R. RR	37721	1
9	9039416		BÆREARM B.V.N.	ARM SET, L. RR	27326	1
10	9039654		GUMMIBØSNING F/ Ø BÆREARM	BUSH 2, ARM, R. RR	70665	8
11	N/A			COLLAR, ARM	37523	2
12	N/A			BOLT M10X1.25X160	11228	2
15	9039417		BÆREARM, B.H.N.	ARM SET, R. RR	27327	1
16	N/A			SHOCK ABSORBER, RR	37525	2
17	N/A			BOLT M10X1.25X52	70012	4
18	9039663		PAKDÅSE Y. T/ BAGHJ 61,5X43X11	SEAL 61.5 43 11	70675	2
20	9057168		LEJEHUS BAG , HØJRE STØBEJERN	KNUCKLE, RR		2
21	9039670		BØSNING Ø B	COLLAR, RR. KNUCKLE (UPPER)	70692	2
22	9039671		BØSNING N B	COLLAR, RR. KNUCKLE (LOWER)	70693	2
23	9039468		BOLT Ø	BOL, TKNUCKLE (UPPER)	70694	2
24	9039469		BOLT N.	BOL, TKNUCKLE (LOWER)	70695	2
25	9039662		BAGHJULSLEJE	BEARING AU0712	70674	2
26	9039518		LÅSERING I Ø58	CIRCLIP 58	70055	2
29	N/A			SPRING, RR. STABILIZER	37722	1
31B	N/A			HOLDER, STABILIZER BUSH (NEW)	27090	2
32A	9070093		BØSNING V/STABILISATOR	BUSH, RR. STABILIZER (NEW MODEL)	27091	2
33	N/A			BOLT M8X20	10081	4
34	N/A			LINK, RL. STABILIZER	27196	1
35	N/A			NUT M10X1.25	11510	18
37	9039664		PAKDÅSE I. T. BAGHJUL 58X41X11	SEAL 58 41.2 11	70676	2
38	9049397		SKÆRM F. BÆREARM HF	ARM PROTECT, L	70977	1
39	9049396		SKÆRM F. BÆREARM VF	ARM PROTECT, R	70976	1
40	N/A			BOLT M5X12	11062	6
41	N/A			LINK, RR. STABILIZER	27195	1

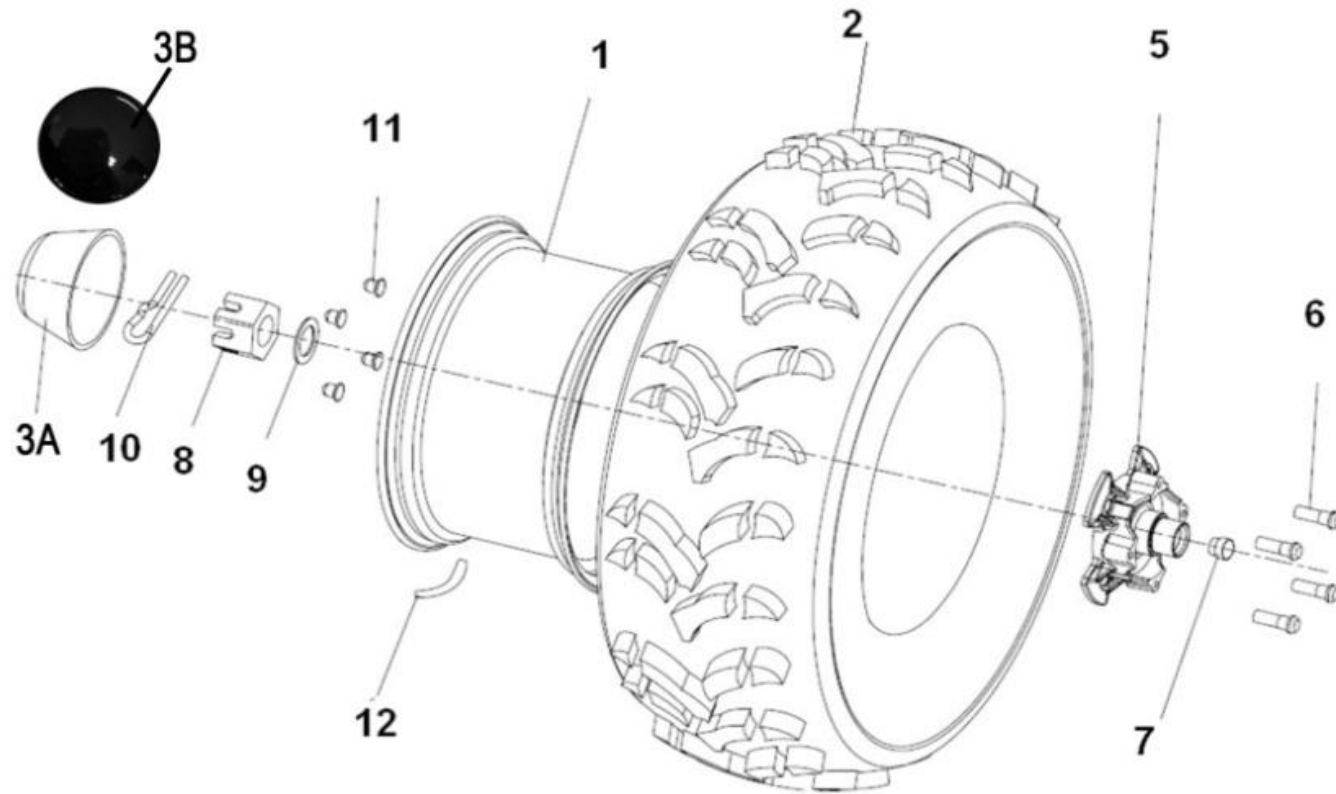
FIGUR 8 - WHEEL FRONT



DELE TIL FIGUR 8

Pos	Varenr / item no	Model	Varenavn	Item name	OE	stk/qty
1	N/A			WHEEL SUB-ASSY, FR(ALUMINIUM)	35508	2
1	N/A			WHEEL SUB-ASSY, FR(ALUMINIUM)	36154	2
2	N/A			TIRE FRONT AT25X8-12	37723	2
2	N/A			TIRE FRONT AT25X8-12	37724	2
4	9075065		FORHJULSNAV	HUB ASSY SHRT	27285	2
5	N/A			BOLT M12X1.25	70714	16
6	N/A			SEAL	70718	2
7	9039479		VENTIL, SLANGELØS	VALVE, RIM (TR412)	20807a	4
8	N/A			BOLT SLOTTED	70721	4
9	N/A			WASHER	70722	2
10	N/A			PIN 4X32	26267	2
11	N/A			NUT, WHEEL	27411	8
12A	N/A			CAP, WHEEL CENTER	70717	2
12B	N/A			CAP, WHEEL SUB-ASSY (OPTIONAL) (MATCH WITH "1C" WHEEL SUB-ASSY, FR)	36162	2

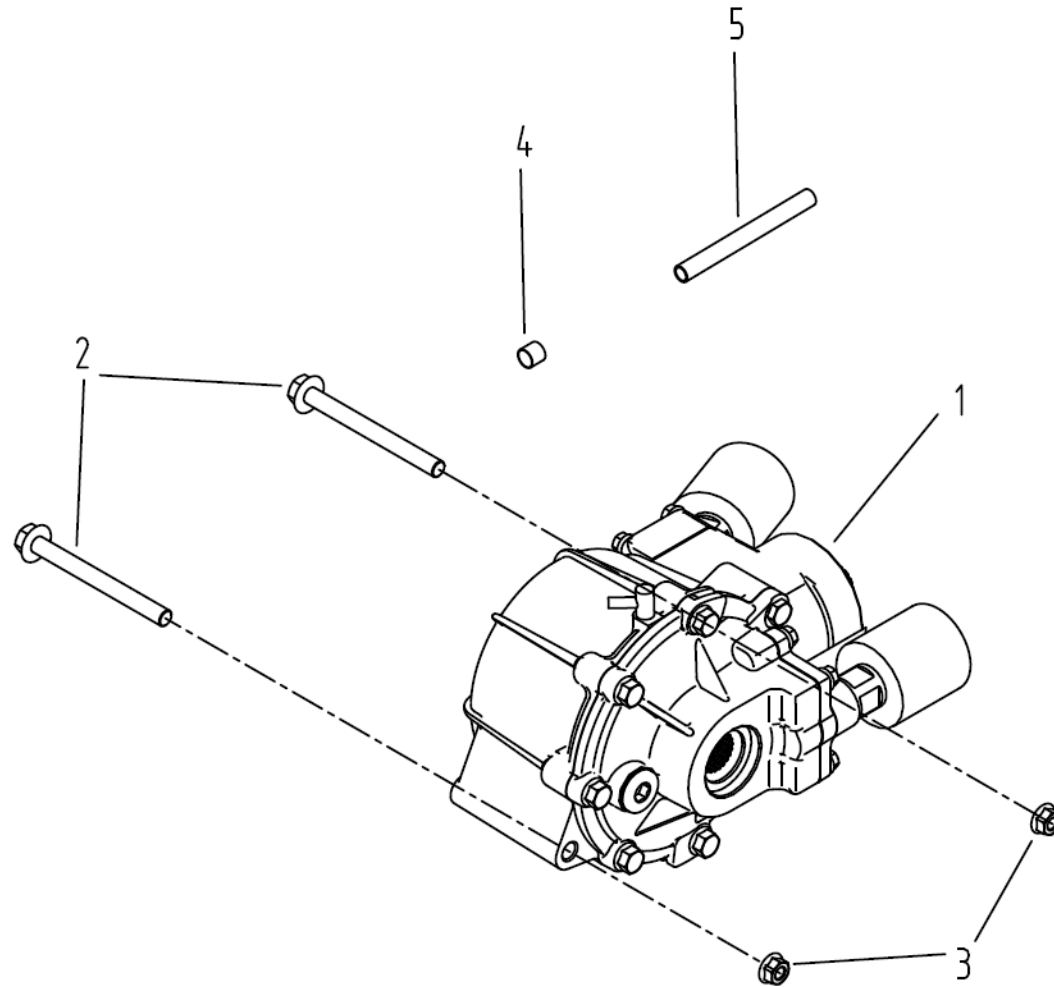
FIGUR 9 - WHEEL REAR



DELE TIL FIGUR 9

Pos	Varenr / item no	Model	Varenavn	Item name	OE	stk/qty
1	9057172		FÆLG ALU BAGHJUL SORT/SØLV	WHEEL SUB-ASSY, RR (ALUMINIUM)	35510	2
	N/A			WHEEL SUB-ASSY, RR (ALUMINIUM)	36155	2
2	N/A			TIRE, RR (AT25X10-12)	37725	2
	N/A			TIRE, RR (AT25X10-12)	37726	2
3A	9039473		NAVKAPSEL, PLAST	CAP, WHEEL CENTER	70717	2
3B	N/A			CAP, WHEEL SUB-ASSY (OPTIONAL) (MATCH WITH "1C" WHEEL SUB-ASSY, RR)	36162	2
5	9039475		BAGHJULSNAV	HUB, RR WHEEL	70719	2
6	9039472		HJULBOLT	BOLT M12X1.25	70714	16
7	9039474		TÆTNINGSPROP	SEAL	70718	4
8	9039476		KRONEMØTRIK F. B+F	BOLT SLOTTED	70721	2
9	N/A			WASHER	70722	2
10	N/A			PIN 4X32	26267	2
11	N/A			NUT, WHEEL	27411	8
12	9039479		VENTIL, SLANGELØS	VALVE, RIM (TR412)	20807a	4

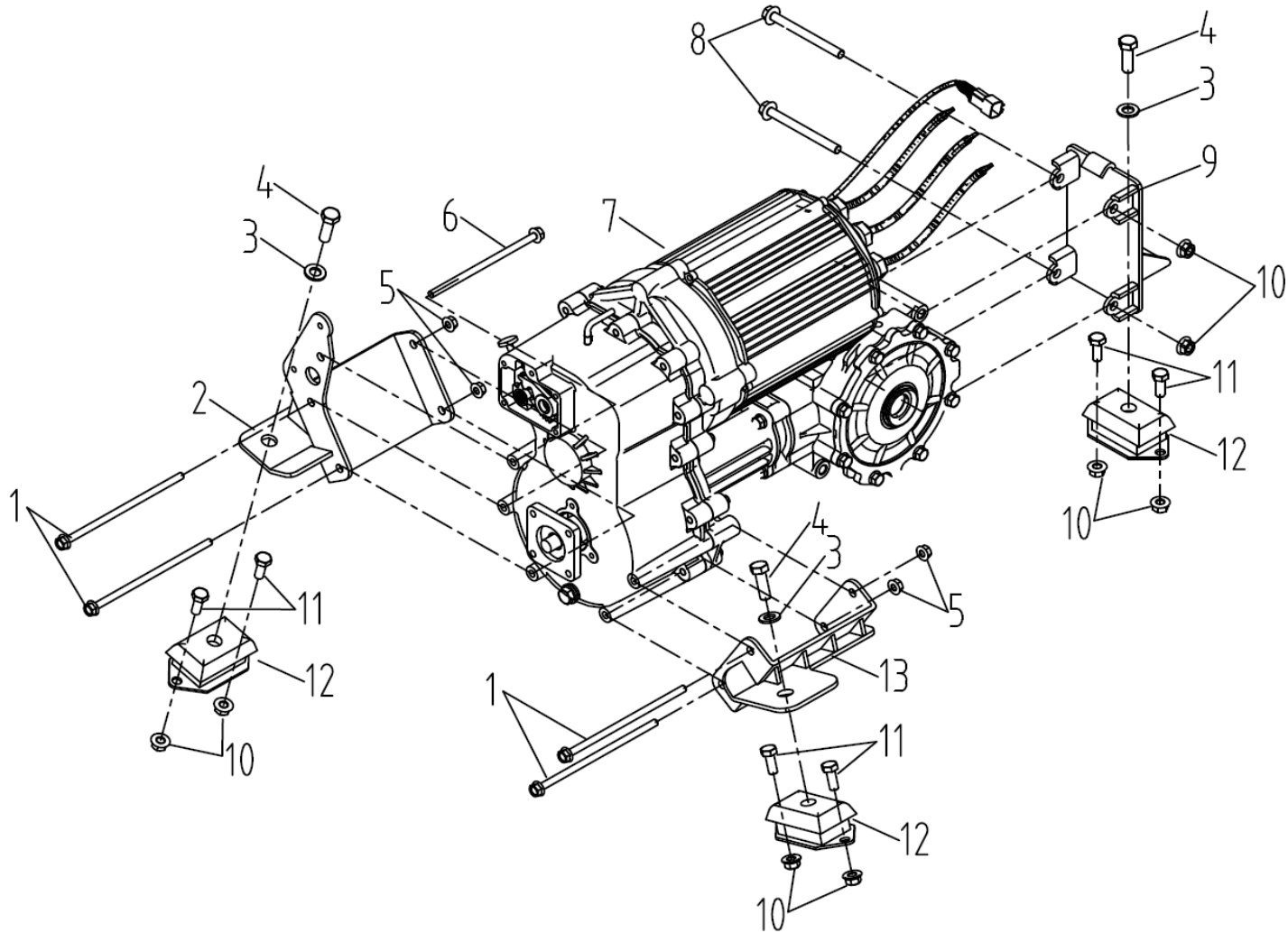
FIGUR 10 - FRONT GEAR-BOX



DELE TIL FIGUR 10

Pos	Varenr / item no	Model	Varenavn	Item name	OE	stk/qty
1	9049559		FRONTDIFFERENTIALE KPL.	<i>FRONT GEAR-BOX</i>	71979	1
2	N/A			<i>BOLT M10X1.25X108</i>	70007	2
3	N/A			<i>NUT M10X1.25</i>	10015A	2
4	N/A			<i>BOOT BAND A</i>	1309150	1
5	N/A			<i>VENT TUBE $\phi 5 \times \phi 9 \times \phi 460$</i>	72006	1

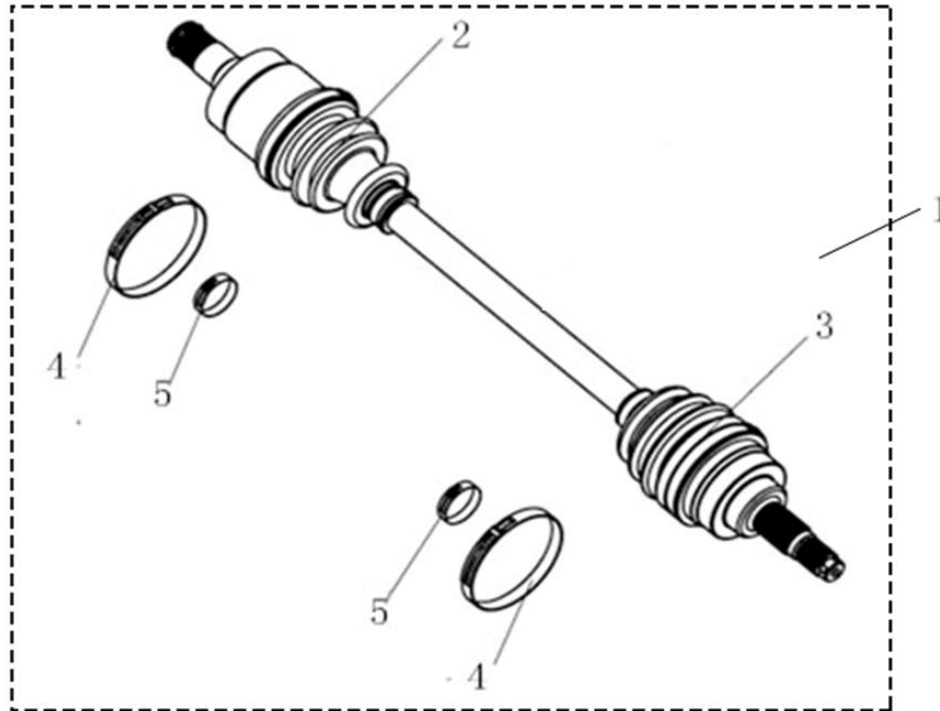
FIGUR 11 - SUPPORT BRACKET



DELE TIL FIGUR 11

Pos	Varenr / item no	Model	Varenavn	Item name	OE	stk/qty
1	N/A			<i>BOLT M8X185</i>	11892	4
2	N/A			<i>GEARBOX PLATE,RIGHT</i>	37727	1
3	N/A			<i>WASHER 12</i>	11560	3
4	N/A			<i>BOLT M12X35</i>	10870	3
5	N/A			<i>NUT M8</i>	11541	5
6	N/A			<i>BOLT M8X165</i>	11893	1
7	N/A			<i>POWER ASSY</i>		1
8	N/A			<i>BOLT M10X108</i>	11894	2
9	N/A			<i>REAR AXLE PLATE</i>	37729	1
10	N/A			<i>NUT M10</i>	11510	8
11	N/A			<i>BOLT M10X20</i>	11895	6
12	9049770		GUMMIOPHÆNG FOR GEARKASSE	<i>CUSHION</i>	84083	3
13	N/A			<i>GEARBOX PLATE,LEFT</i>	37730	1

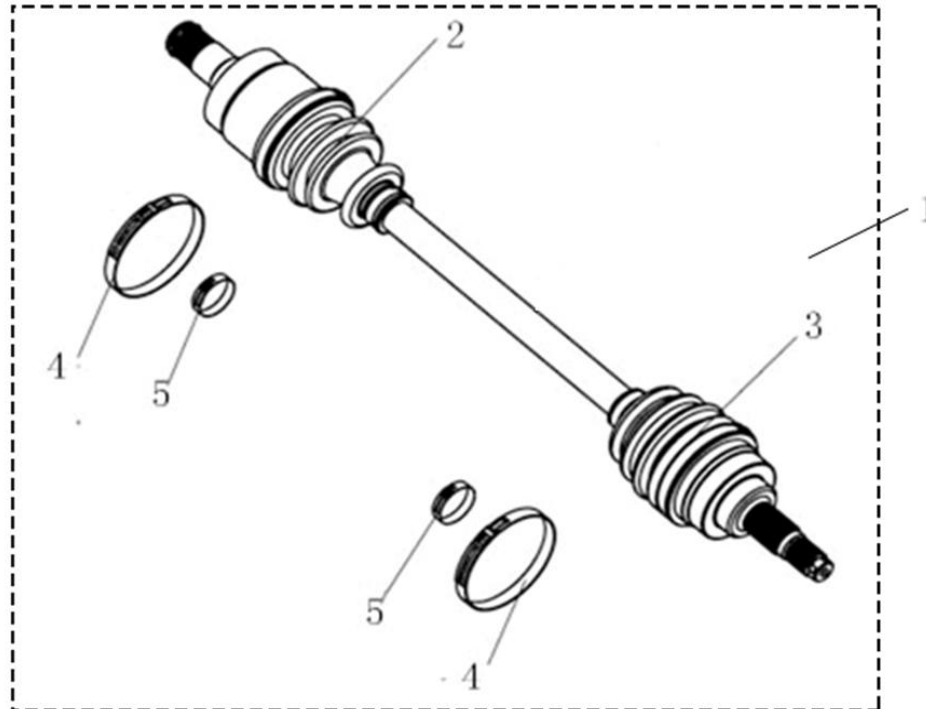
FIGUR 12 - FRONT LEFT DRIVE AXLE



DELE TIL FIGUR 12

Pos	Varenr / item no	Model	Varenavn	Item name	OE	stk/qty
1	9075066		DRIVAKSEL, FRONT VENSTRE - KOMPLET	LEFT FRONT DRIVE AXLE ASSY	72168	1
2	N/A			OUTER BOARD BOOT	72048	1
3	N/A			OUTER BOARD BOOT	72041	1
4	N/A			BIG BOOT BAND	72042	1
5	N/A			SMALL BOOT BAND	72040	1

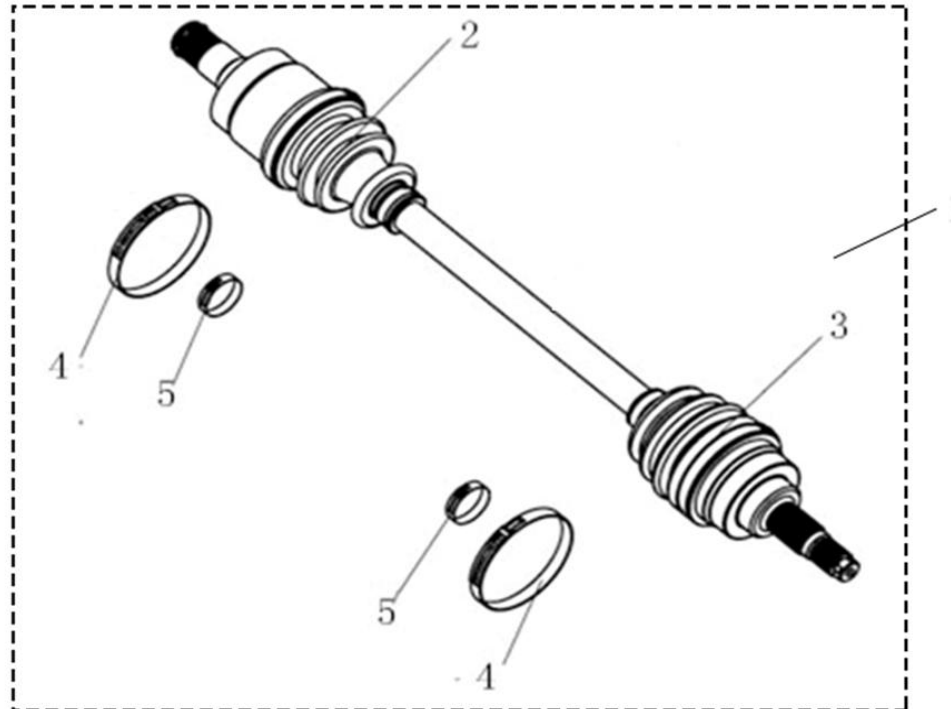
FIGUR 13 - FRONT RIGHT DRIVE AXLE



DELE TIL FIGUR 13

Pos	Varenr / item no	Model	Varenavn	Item name	OE	stk/qty
1	9075067		DRIVAKSEL, FRONT HØJRE - KOMPLET	RIGHT FRONT DRIVE AXLE ASSY	72170	1
2	N/A			OUTER BOARD BOOT	72048	1
3	N/A			OUTER BOARD BOOT	72041	1
4	N/A			BIG BOOT BAND	72042	1
5	N/A			SMALL BOOT BAND	72040	1

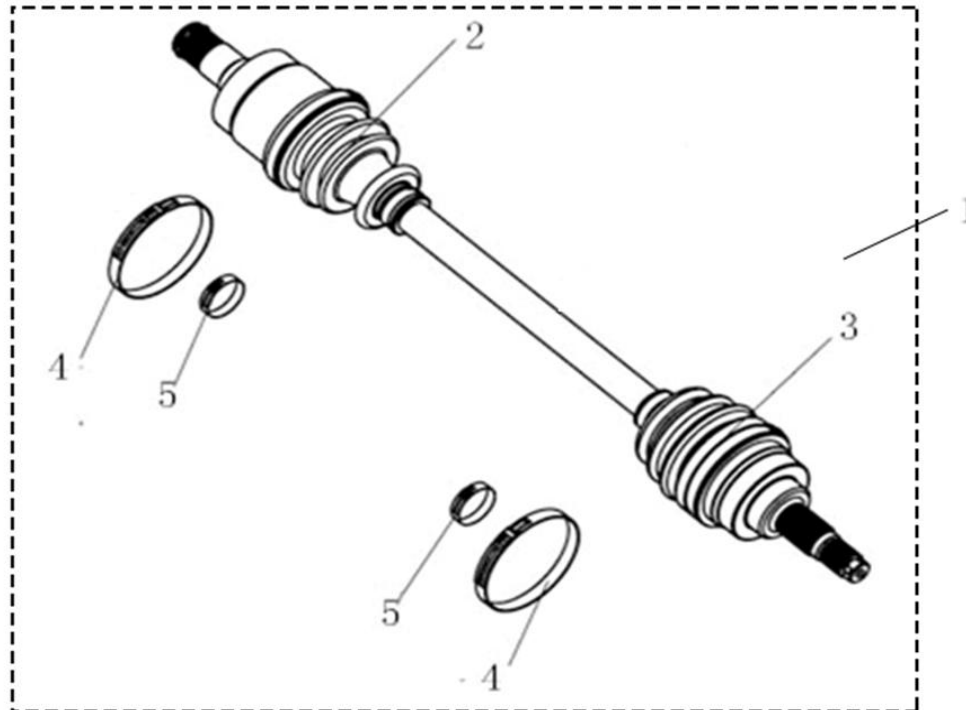
FIGUR 14 - REAR LEFT DRIVE AXLE



DELE TIL FIGUR 14

Pos	Varenr / item no	Model	Varenavn	Item name	OE	stk/qty
1	9075068		DRIVAKSEL, VENSTRE BAG - KOMPLET	REAR LEFT DRIVE AXLE	37731	1
2	N/A			OUTER RIGHT BOARD BOOT	27658	1
3	N/A			OUTER LEFT BOARD BOOT	27648	1
4	N/A			BOOT BAND "B"	27649	1
5	N/A			BOOT BAND "A"	27647	1

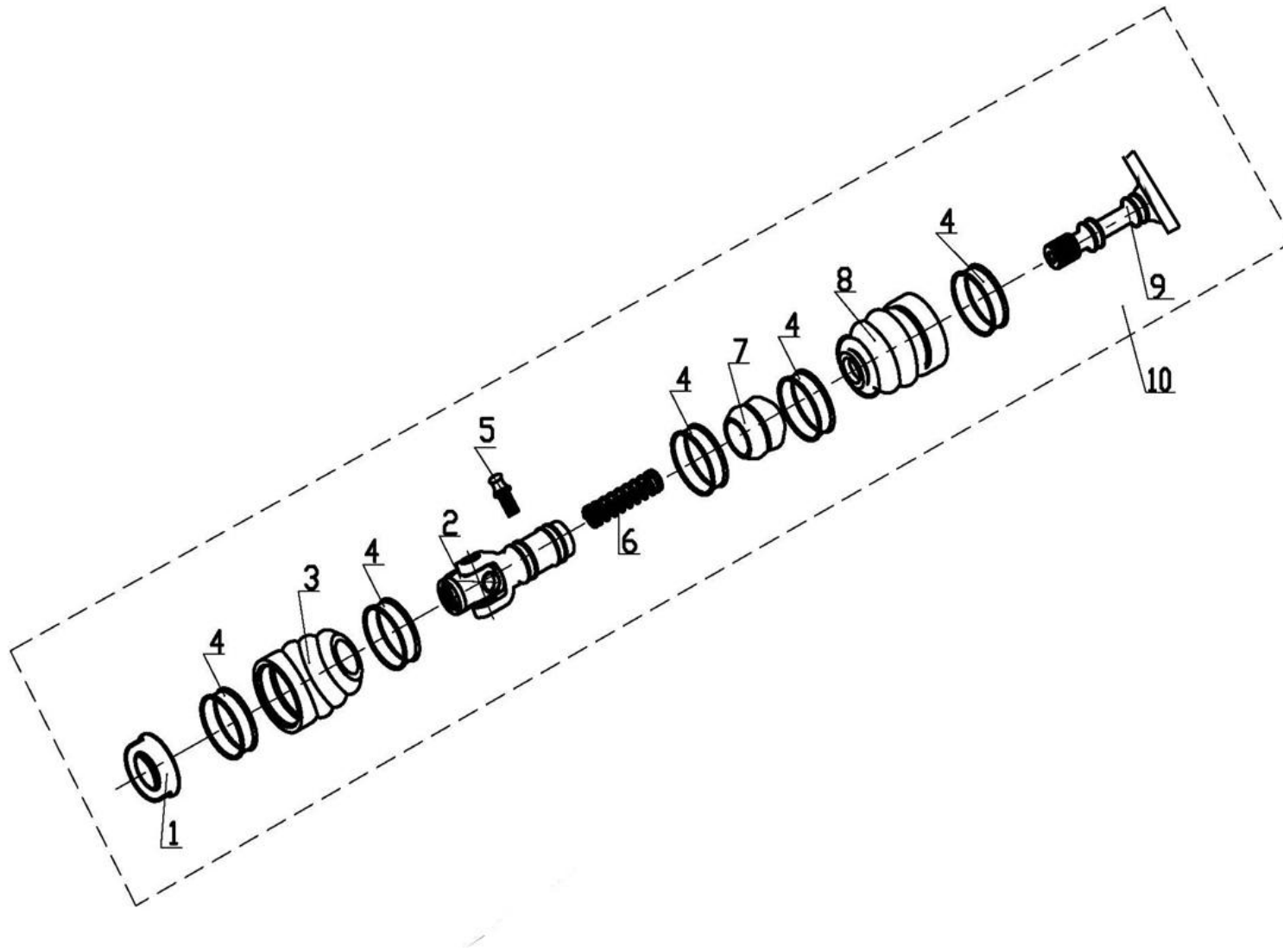
FIGUR 15 - REAR RIGHT DRIVE AXLE



DELE TIL FIGUR 15

Pos	Varenr / item no	Model	Varenavn	Item name	OE	stk/qty
1	9075069		DRIVAKSEL, HØJRE BAG - KOMPLET	REAR RIGHT DRIVE AXLE	37732	1
2	N/A			OUTER RIGHT BOARD BOOT	27658	1
3	N/A			OUTER LEFT BOARD BOOT	27648	1
4	N/A			BOOT BAND "B"	27649	1
5	N/A			BOOT BAND "A"	27647	1

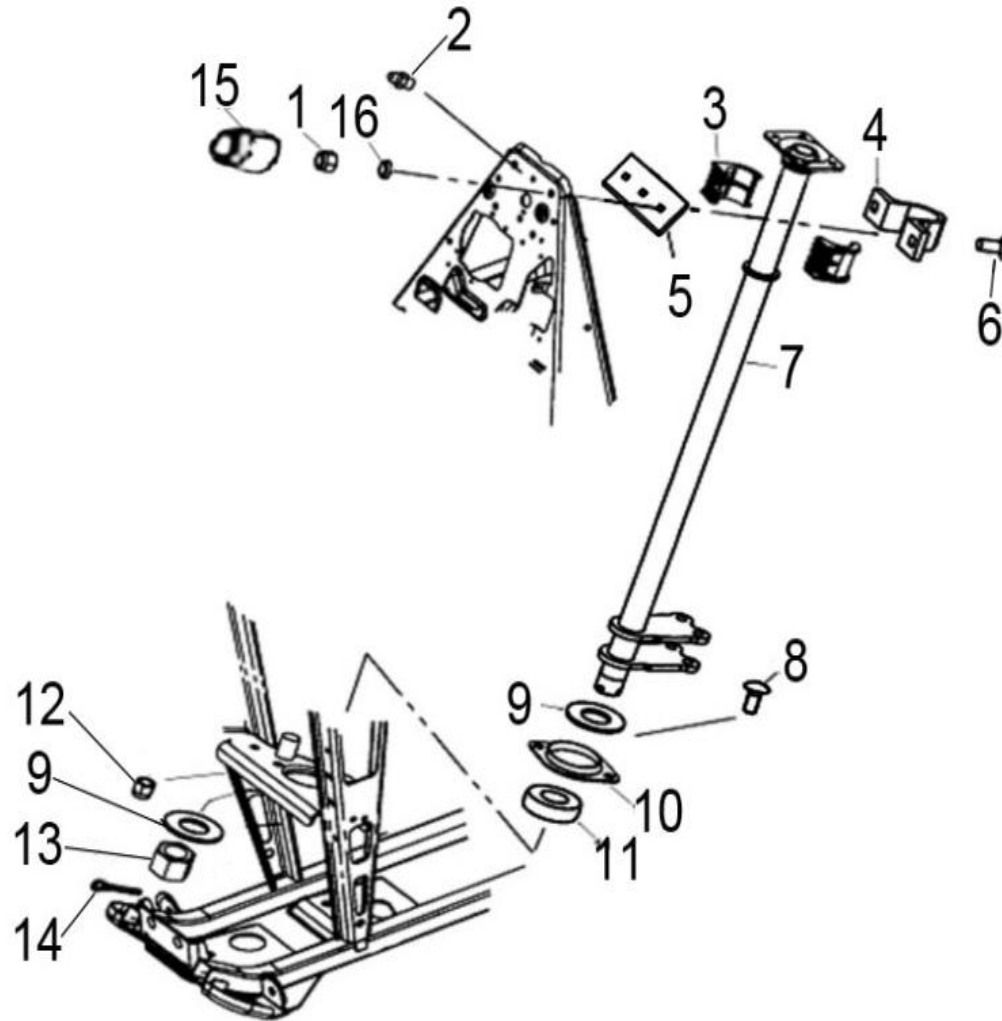
FIGUR 16 - FRONT KNUCKLE ASSY



DELE TIL FIGUR 16

Pos	Varenr / item no	Model	Varenavn	Item name	OE	stk/qty
1	N/A			DUST SHEET, FRONT KNUCKLE	71584	1
2	N/A			LINK FORK 1, FRONT KNUCKLE	71585	1
	N/A			CROSS SHAFT, FRONT KNUCKLE	71586	1
3	9049311		GUMMIMANCHET, FOR FOR	DUST COVER 1, FRONT KNUCKLE	71591	1
4	N/A			PUMPING WITH CLAMPS	71651	5
5	N/A			STRAIGHT-THROUGH PRESSURE GREASE CUP	71652	1
6	N/A			SPRING, FRONT KNUCKLE	71653	1
7	N/A			DUST COVER 2, FRONT KNUCKLE	71592	1
8	9049335		GUMMIMANCHET, FOR BAG	DUST COVER 3, FRONT KNUCKLE	71593	1
9	N/A			SPLING AXLE, FRONT KNUCKLE	37733	1
	N/A			CROSS SHAFT, FRONT KNUCKLE	71586	1
	N/A			LINK FORK 2, FRONT KNUCKLE	37734	1
10	9075070		KARDAN KOMPLET, FORREST	FRONT KNUCKLE	37735	1

FIGUR 17 - STEERING COLUMN



DELE TIL FIGUR 17

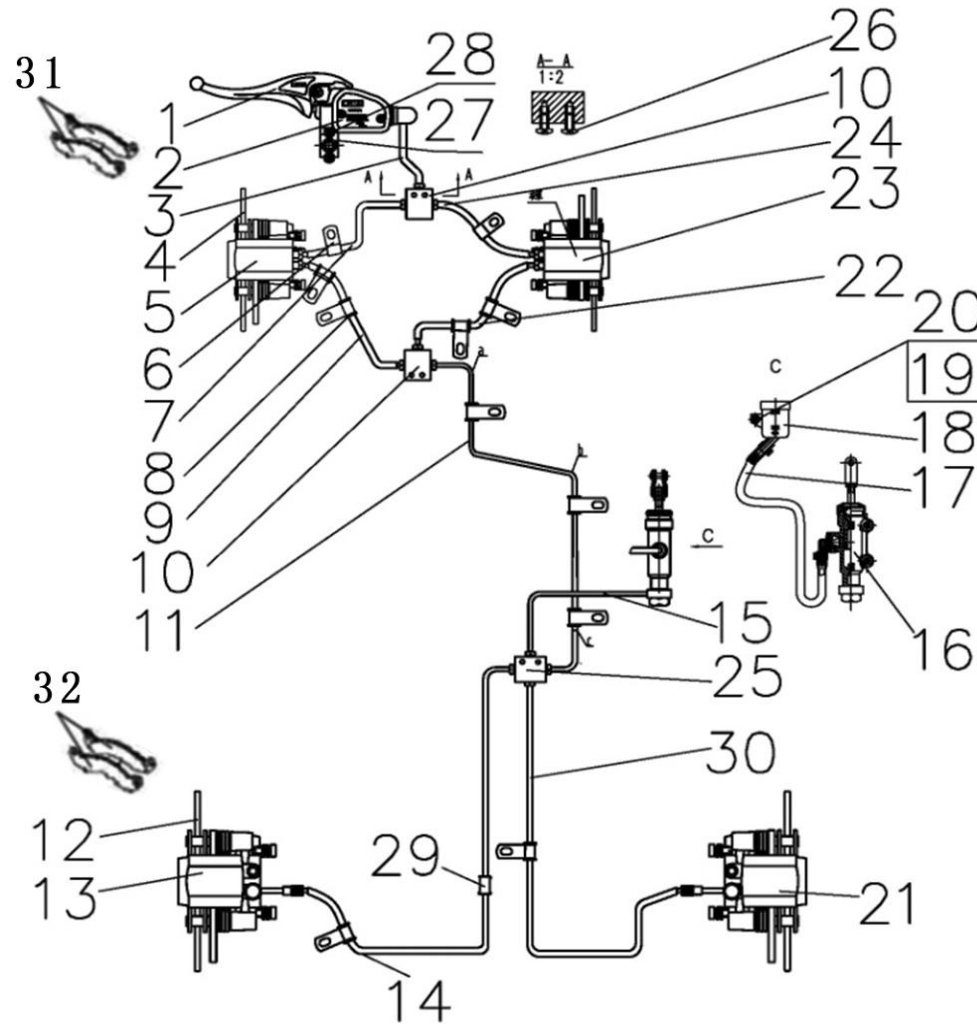
Pos	Varenr / item no	Model	Varenavn	Item name	OE	stk/qty
1	N/A			NUT M8	11145	2
2	N/A			GREASE FITTING	10026	1
3	9029719		BØSNING	BUSHING	21903	2
4	9036381		U-BØJLE	STEERING CLAMP REAR	21904	1
5	N/A			STEERING CLAMP FRONT	21905	1
6	N/A			BOLT	21906	2
7	N/A			STEERING COLUMN (LENGTHEN THE LIMIT PLATE OF THE TAP LOCK)	35020a	1
8	N/A			BOLT	21906	2
9	9057189		SKIVE	WASHER	21909	2
10	N/A			BEARING RETAINER	21910	1
11	9029657		LEJE	BEARING	21911	1
12	N/A			NUT M8	11145	2
13	N/A			STEERING COLUMN RETAINER NUT	11575	1
14	N/A			COTTER PIN	11576	1
15	N/A			PROTECT COVER	27256	2
16	N/A			SPRING WASHER	11504	2

DELE TIL FIGUR 18

Pos	Varenr / item no	Model	Varenavn	Item name	OE	stk/qty
1	N/A			REAR RACK, UP	72147	1
2	N/A			BOLTM8X25	10059	4
3	N/A			BOLTM8X55	10511	2
4	9057486		MELLEMSTYKKE F/RAMME	REAR RACK MOUNTING SPACER	36085	2
5	9057487		RAMME, FRONT	FRONT RACK (FOR EUROPE)	36093	1
6	N/A			BOLT M8X20	10814	2
7	N/A			BOLTM8X25	10059	2
8	N/A			BOLT M8X20	10814	2
9	N/A			BOLTM8X45	10055	4
10	N/A			NUT M8	11455	4
11	9057488		Y-FORMET RØR, HØJRE	RIGHT Y SHAPED SUPPORT TUBE	36112	1
12	9057489		Y-FORMET RØR, VENSTRE	LEFT Y SHAPED SUPPORT TUBE	36111	1
13	N/A			FRONT PART SUPPORT ASSEMBLY	37736	1
14	N/A			BOLTM8X25	10059	2
15	N/A			NUT M8	11455	2
16	N/A			MOUNTING PLATE ON WATER TANK	36051	1
17	N/A			SUPPORTING RUBBER RING UNDER WATER TANK	36054	2
18	N/A			BOLT M8X20	10814	2
19	N/A			FRONT BOTTOM GUARD	36113	1
20	N/A			BRACKET,PULLING	36119	1
21	N/A			BOLT M8X20	10814	4
22	N/A			NUT M8	11455	4
23	N/A			BOLT M8X20	10814	4
24	9057491		KOFANGER, FRONT	FRONT BUMPER	36118	1
25	N/A			NUT M8	11455	4
26	9058055		RYGSTØTTE PUDE	BACKREST (SKIN TYPE)	35721	1
27	9057217		RYGSTØTTE, BAG	REAR BACKREST WELD ASSEMBLY	35384	1
28	N/A			NUT M8	10919	4
29	N/A			BOLT M8X25	10059	4
30	N/A			NUT M8	11455	4

Pos	Varenr / item no	Model	Varenavn	Item name	OE	stk/qty
31	N/A			<i>BOLT M6X20</i>	11459	4
32	N/A			<i>BRACKET, SPEED LIMIT</i>	35793a	1
33	N/A			<i>STICKERS,SPEED LIMIT (65KM/H)</i>	37737	1
35	9068510		ARMLÆN, VENSTRE	<i>LEFT, HANDLE SEAT (OPENTIONS)</i>	36455	1
36	9068511		ARMLÆN, HØJRE	<i>RIGHT, HANDLE SEAT (OPENTIONS)</i>	36456	1
37	N/A			<i>INSTALL THE SPACER,HANDLE SAET (OPENTIONS)</i>	36457	4
38	N/A			<i>BOLT M8X30 (OPENTIONS)</i>	11017	4
39	N/A			<i>REAR RACK, RIGHT</i>	37738	1
40	N/A			<i>REAR RACK, LEFT</i>	37739	1
41	N/A			<i>BOLT M8X30</i>	10078	2
57	N/A			<i>RUBBER COVER FOR REAR SHELF</i>	35880	2

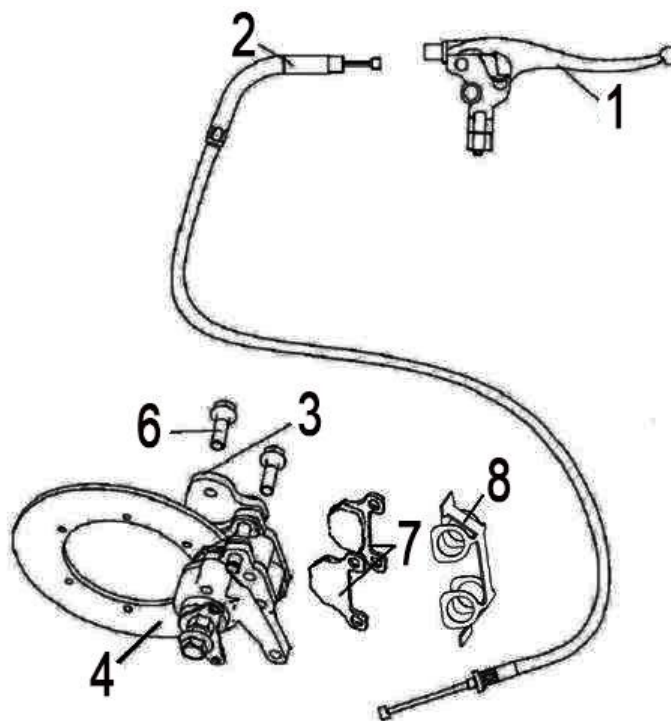
FIGUR 19 - BRAKING SYSTEM



DELE TIL FIGUR 19

Pos	Varenr / item no	Model	Varenavn	Item name	OE	stk/qty
1	9029827		BREMSEHÅNDTAG V. LØS	BRAKE LEVER	2211120	1
2	9039413		HOVEDCYLINDER, STYR	GRIP BRAKE PUMP (Φ19)	27320	1
3	N/A			GRIP BRAKE HOSE	37740	1
4	9039644		BREMSESKIVE, FOR H+V	FRONT BRAKE DISC	70555	2
5	9039631		KALIBER KPL. FOR V	FRONT CALIPER, L	70502	1
6	N/A			LINE BLOCK	21811	11
7	N/A			FRONT BRAKE HOSE 2	37741	1
8	9034418		GUMMIKRAVE	RUBBER TUBE1	32105	11
9	N/A			FRONT BRAKE HOSE 1	37742	1
10	N/A			THREE LINE COUPLER	32107A	2
11	N/A			TUBE DISKBRAKE, FOOT BRAKE	37743	1
12	N/A			REAR BRAKE DISC	55086	2
13	N/A			BRAKE CALIPER LEFT, REAR	37549	1
14	N/A			REAR BRAKE HOSE 2	37744	1
15	N/A			REAR BRAKE HOSE 3	37745	1
16	N/A			FOOT BRAKE (Φ19)	37746	1
17	N/A			RESERVOIR HOSE	27379	1
18	9039465		BREMSEVÆSKEBEHOLDER	RESERVOIR	70496	1
19	N/A			NUT M5	11563	1
20	N/A			BOLT M5X12	11046	1
21	N/A			BRAKE CALIPER RIGHT, REAR	37552	1
22	N/A			BRAKE HOSE	37747	1
23	9039632		KALIBER KPL. FOR H	BRAKE CALIPER RIGHT, FRONT	70505	1
24	N/A			BRAKE HOSE K	37748	1
25	N/A			FOUR LINE COUPLER	37749	1
26	N/A			BOLT M5X15	10111	6
27	N/A			CAP	22126	1
28	N/A			BOLT M6X22	27283	2
29	9034418		GUMMIKRAVE	RUBBER TUBE	32105	5
30	N/A			REAR BRAKE HOSE 4	37750	1
31	9039633		BREMSEKLODS SÆT FOR	INSIDE AND OUTSIDE PAD, FRONT	70507	4
32	9029926		BREMSEKLODSER, FOR. 2 STK	INSIDE AND OUTSIDE PAD, REAR	22245	4

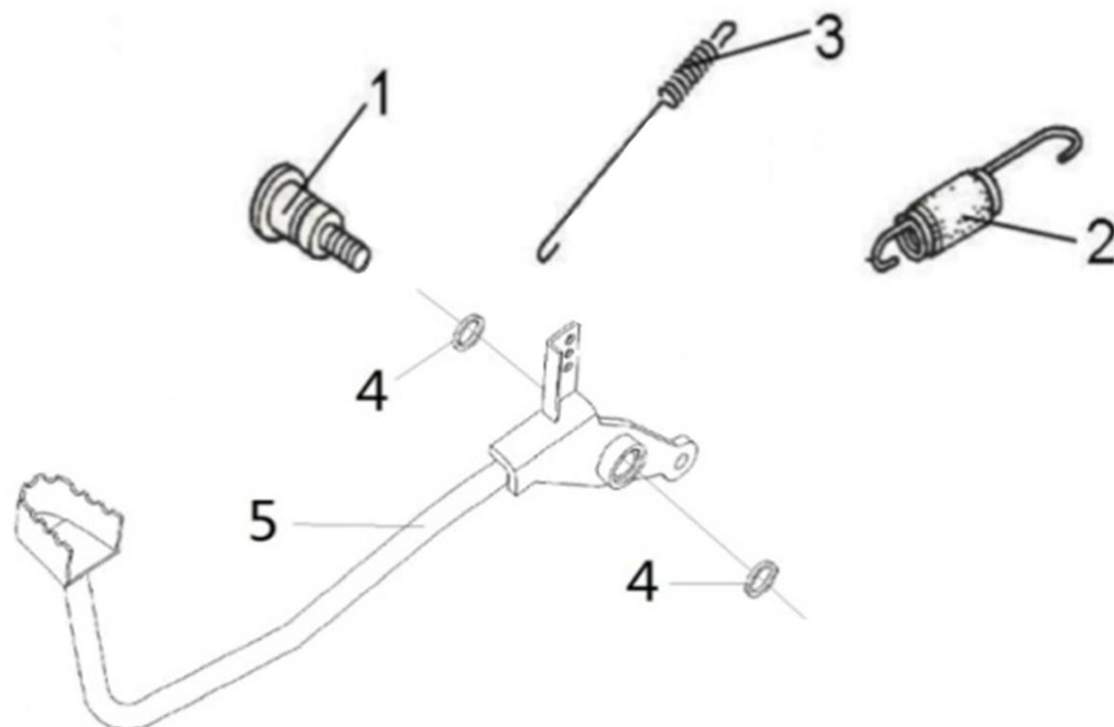
FIGUR 20 - AUXILIARY BRAKE



DELE TIL FIGUR 20

Pos	Varenr / item no	Model	Varenavn	Item name	OE	stk/qty
1	9039646		BREMSEHÅNDTAG H	MASTER CYLINDER(WITH LEVER)	70636	1
2	N/A			BRACK CABLE	37751	1
3	N/A			BRACK CALIPER	37752	1
4	N/A			DISK BRAKE	37753	1
6	N/A			BOLT M8X20	11461	2
7	9034444		BREMSEKLODSSÆT, HÅNDBREMSE	BRAKE PAD	26292	2
8	9057207		FJEDERPLADE F/BREMSEKLODS	LIMIT SPRING PLATE	35530	1

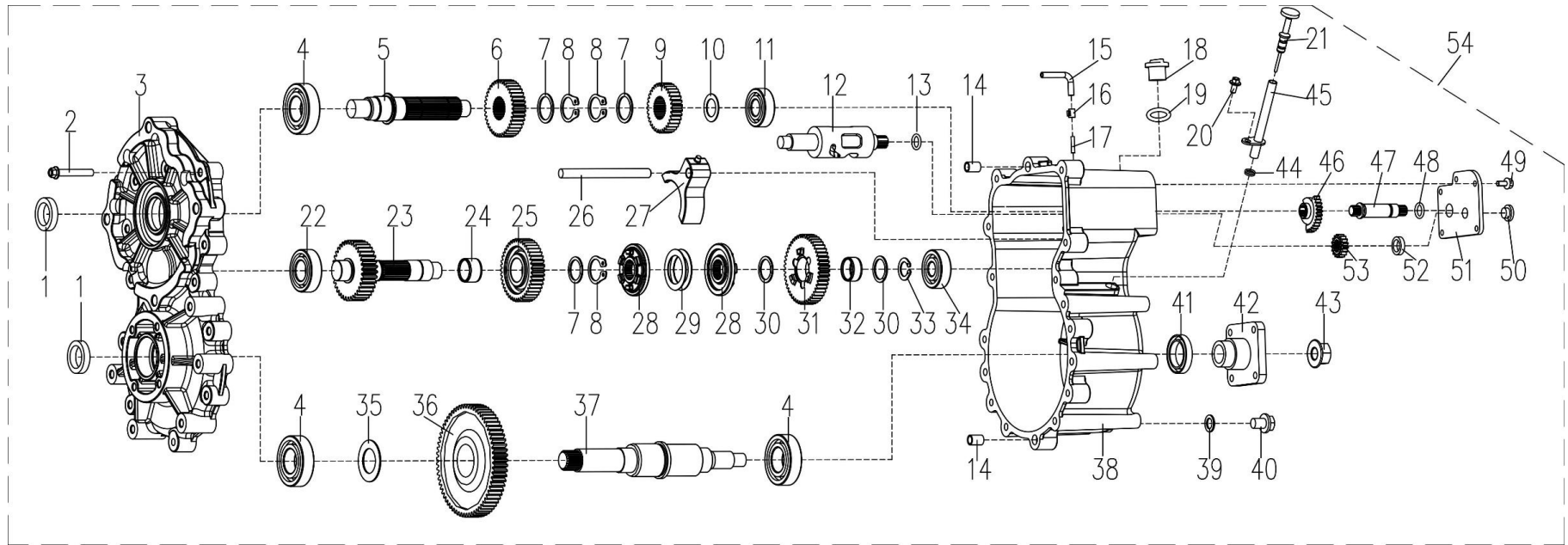
FIGUR 21 - PEDAL,BRAKE



DELE TIL FIGUR 21

Pos	Varenr / item no	Model	Varenavn	Item name	OE	stk/qty
1	N/A			SHAFT,BRAKE PIVOT	70457	1
2	N/A			SPRING,STOP SWITCH	70541	1
3	9057208		FJEDER, KOMPLET (BREMSEPEDAL)	SPRING ASSY	35502	1
4	N/A			DUST SEAL	70460	2
5	N/A			PEDAL BRAKE	37754	1

FIGUR 22 - TRANSMISSION(4WD)



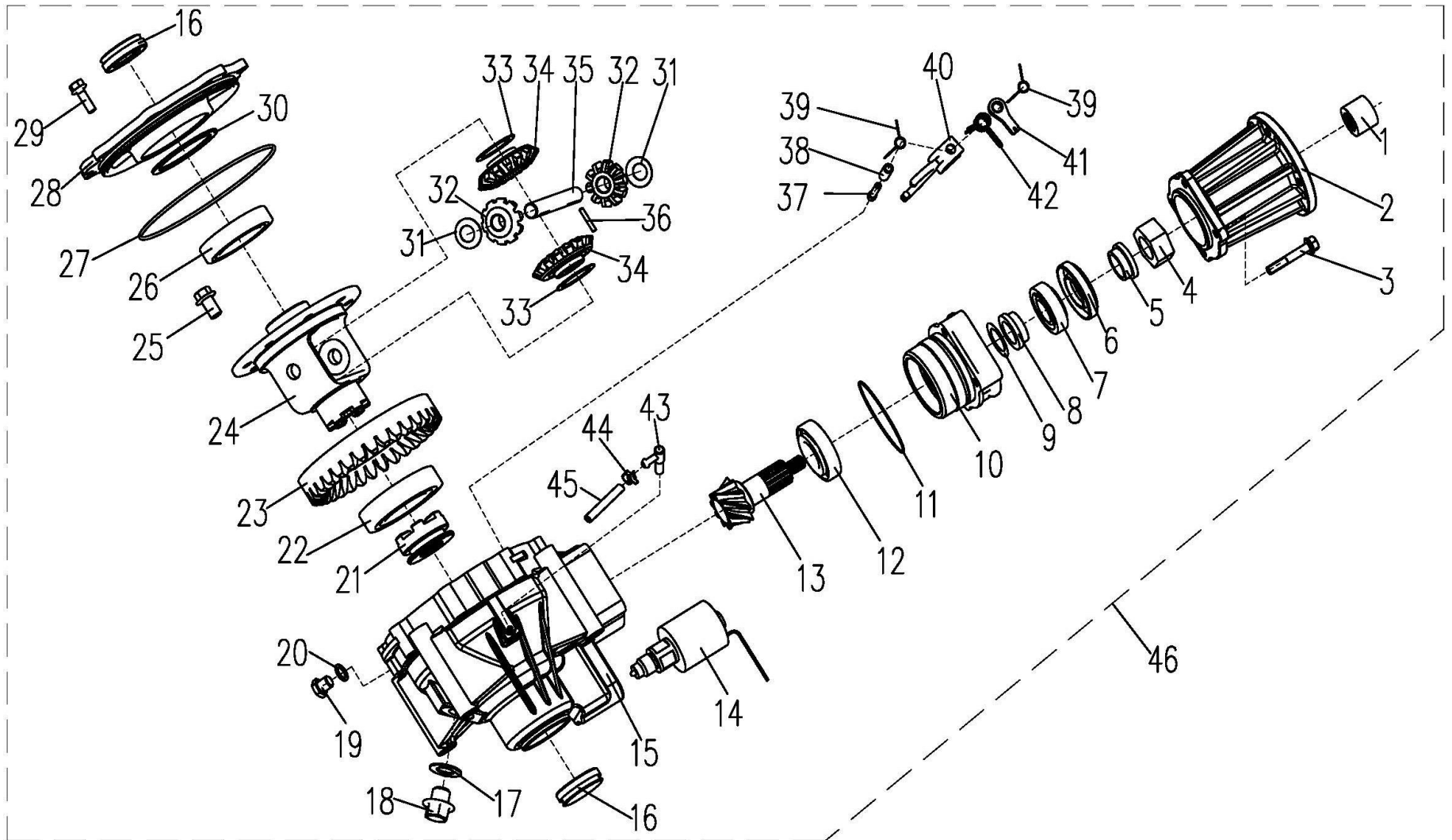
DELE TIL FIGUR 22

Pos	Varenr / item no	Model	Varenavn	Item name	OE	stk/qty
1	9049600		PAKDÅSE 28X40X7	OIL SEAL 28 ×40 ×7	84045	2
2	N/A			BOLT M×50	11464	12
3	N/A			COVER, GEAR BOX CASE	37755	1
4	9069151		LEJE MED DOBBELT TÆTNING	BEARING 6206	10808	3
5	N/A			SHAFT	37756	1
6	9049719		TANDHJUL FOR HØJT GEAR	DRIVE GEAR, HIGH SPEED	84022	1
7	N/A			WASHER 28.5A	84023	3
8	N/A			CIRCLIP 28	11896	3
9	N/A			DRIVE GEAR, LOW SPEED	46095	1
10	N/A			WASHER 22	37757	1

Pos	Varenr / item no	Model	Varenavn	Item name	OE	stk/qty
11	9038575		KUGLELEJE 6204-2RS	BEARING 6204	10062	1
12	N/A			DRUM, FORK SHIFT	37758	1
13	9049575		O-RING 14,5X3,0	O-RING 14.5 ×3	84052	1
14	N/A			PIN DOWEL	21104	2
15	N/A			VENT TUBE	72165	1
16	N/A			SPRING CLIP	29530	1
17	N/A			VENT TUBE FITTING	21340	1
18	N/A			OIL CAP	70235	1
19	9029773		O-RING 18X2,65	O-RING 18 ×2.65	10122	1
20	N/A			BOLT M6 ×12	20227	1
21	N/A			OIL DIP-STICK COMPONENT	46090	1
22	9033978		KUGLELEJE, 6205C3	BEARING 6205	10061	1
23	N/A			SIDE SHAFT	37759	1
24	9049632		NÅLELEJE 28X33X17	BEARING 28 ×33 ×17	84036	1
25	9049730		TANDHJUL FOR HØJT GEAR	DRIVEN GEAR, HIGH SPEED	84035	1
26	N/A			GUIDE SHAFT, SHIFT FORK	37760	1
27	N/A			SHIFT FORK	37761	1
28	9049705		MEDBRINGER (C)	ENGAGEMENT C	84032	2
29	N/A			SPRING WASHER	84027	1
30	N/A			WASHER 25.5B	37762	2
31	N/A			DRIVEN GEAR, LOW SPEED	46096	1
32	9049626		NÅLELEJE 25X29X13	BEARING 25 ×29 ×13	84038	1
33	N/A			CIRCLIP 25	10064	1
34	N/A			BEARING 6303	26013	1
35	N/A			WASHER 30.5	37763	1
36	N/A			GEAR, OUTPUT	37764	1
37	N/A			OUTPUT SHAFT	37765	1
38	N/A			CASE, GEAR BOX	84042	1
39	9049183		BUNDPROP PAKNING	WASHER	1309283	1
40	9057305		BUNDPROP, M12X1,5	BOLT	50105	1
41	N/A			OIL SEAL 32 ×47 ×8	55207	1
42	N/A			COUPLER	37766	1

Pos	Varenr / item no	Model	Varenavn	Item name	OE	stk/qty
43	N/A			<i>NUT M16 ×1.5</i>	70296	1
44	N/A			<i>O-RING 10 ×1.8</i>	10291	2
45	N/A			<i>GUIDE TUBE, OIL DIP-STICK</i>	46089	1
46	N/A			<i>DRIVE GEAR, GEAR SHIFT</i>	37767	1
47	N/A			<i>SHAFT, GEAR SHIFT</i>	25724	1
48	9049172		O-RING 13,2X1,8	<i>O-RING 13.2X1.8</i>	10737	1
49	N/A			<i>BOLT M6X16</i>	10183	5
50	N/A			<i>RUBBER PLUG</i>	37768	1
51	N/A			<i>COVER</i>	84002	1
52	N/A			<i>BUSHING</i>	37769	1
53	9049643		TANDHJUL FOR GEARSKIFT	<i>DRIVEN GEAR, GEAR SHIFT</i>	84006	1
54	N/A			<i>TRANSMISSION ASSY</i>	37770	1

FIGUR 23 - REAR GEAR-BOX

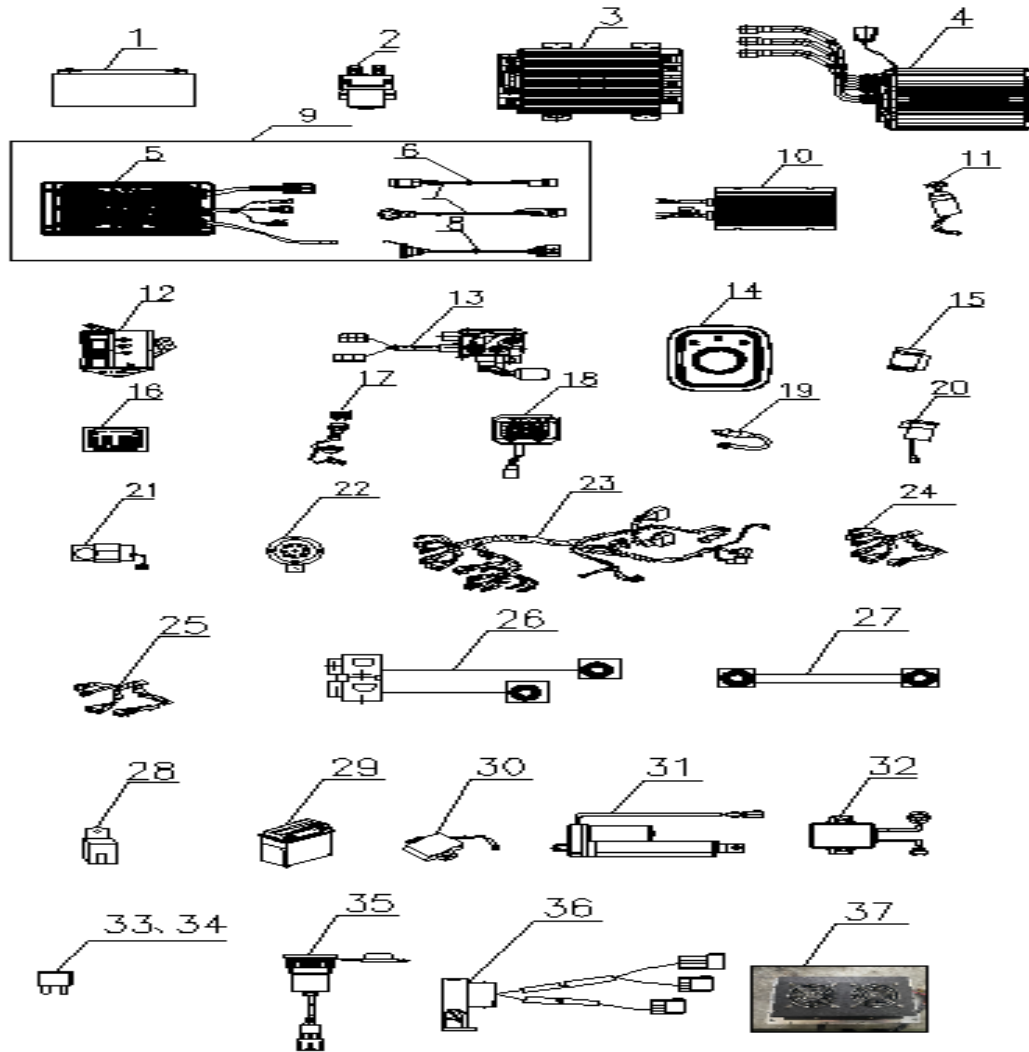


DELE TIL FIGUR 23

Pos	Varenr / item no	Model	Varenavn	Item name	OE	stk/qty
1	N/A			SPLINE JOINT BUSHING	37771	1
2	N/A			REAR CONNECTING HOUSING	37772	1
3	N/A			BOLT M8 x50	11022	4
4	N/A			NUT M24 x1.5	11897	1
5	N/A			REAR SPACER	37773	1
6	9057241		PAKDÅSE, Ø35XØ61X9,5	OIL SEAL $\phi 35 \times \phi 61 \times 9$	35471	1
7	9069147		LEJE	BEARING 30205	11012	1
8	N/A			BEARING SLEEVE	27581	1
9	N/A			BEARING SLEEVE WASHER	27582	~
10	N/A			BEVEL GEAR BEARING HOUSING	27583	1
11	9057242		O-RING, 69X3	O-RING 69 x3	26311	1
12	N/A			BEARING 30206	11013	1
13	N/A			ACTIVE BEVEL GEAR	37773	1
14	9049525		ELSKIFTER FOR DIFFERENTIALE	DIFF SOLENOID	71978	1
15	N/A			REAR GEAR CASE	37774	1
16	N/A			OIL SEAL 30 x50 x13.5(NEW MODEL)	36562	2
17	N/A			WASHER 18	83180	1
18	N/A			BOLT M18 x1.25	83179	1
19	N/A			DRAIN BOLT	73020	1
20	N/A			WASHER	73021	1
21	9049751		SKIFTEKLO FOR DIFF.SPÆRRE	CLUTCH GEAR	73030	1
22	N/A			BEARING 3210	11023	1
23	N/A			DRIVE BEVEL GEAR	27586	1
24	N/A			DIFF CASE	27587	1
25	N/A			HEXAGON FLANGE BOLT M10X1.25X16	27588	8
26	9033905		LEJE 110	BEARING 110	10056	1
27	9057248		O-RING, 151X3	O-RING 151 x3	35493	1
28	N/A			REAR GEAR BEARING HOUSING	27589	1
29	N/A			BOLT M8 x25	10059	8
30	9033899		JUSTERSKIVE	DIFF CASE THRUST-WASHER	21106	~

Pos	Varenr / item no	Model	Varenavn	Item name	OE	stk/qty
31	9049585		SKIVE FOR PLANETGEARHJUL	<i>PINION MATE THRUST-WASHER</i>	73036	2
32	9049686		PLANETGEARHJUL	<i>DIFF PINION MATE GEAR</i>	73035	2
33	N/A			<i>SIDE GEAR THRUST-WASHER</i>	73034	2
34	9049720		SOLHJUL	<i>DIFF SIDE GEAR</i>	73031	2
35	N/A			<i>DIFF CROSS PIN</i>	73032	1
36	N/A			<i>DIFF ROLL PIN</i>	11024	1
37	N/A			<i>SHIFT PIN</i>	27590	1
38	N/A			<i>SHIFT BAR</i>	27591	1
39	9049580		RETURFJEDER FOR DIFF.SPÆRRE	<i>SHIFT RETURN SPRING</i>	73040	2
40	9049680		SKIFTEGAFFEL FOR DIFF.SPÆRRE	<i>SHIFT YOKE</i>	73041	1
41	N/A			<i>SHIFT LEVER</i>	27592	1
42	N/A			<i>SHIFT LEVER SPRING</i>	73038	1
43	N/A			<i>VENT NOZZLE</i>	47717	1
44	N/A			<i>CLAMPS</i>	25107	1
45	N/A			<i>VENT PIPE</i>	27593	1
46	N/A			<i>REAR GEAR-BOX ASSEMBLY</i>	37775	1

FIGUR 24 - ELECTRICAL SYSTEM

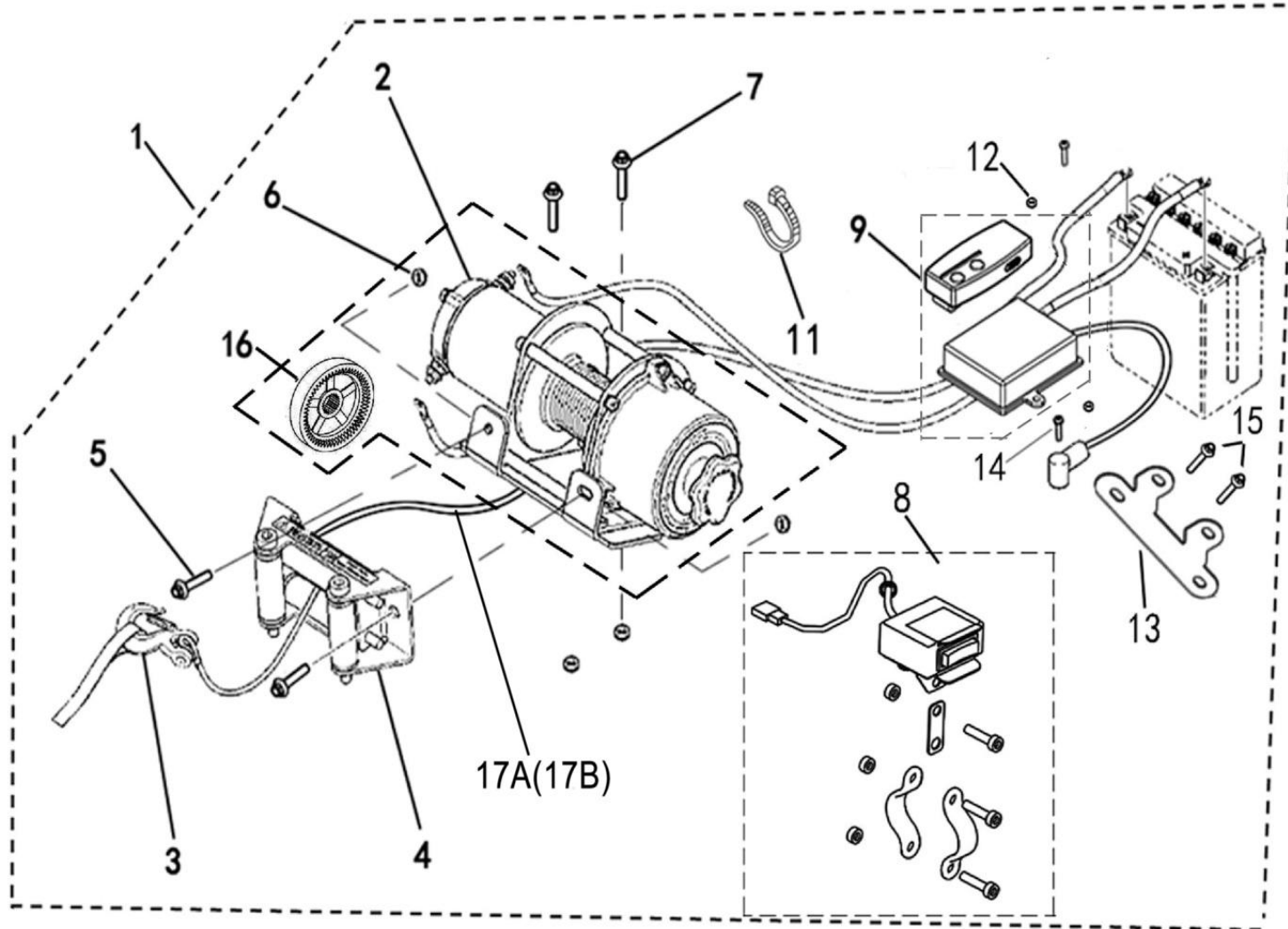


DELE TIL FIGUR 24

Pos	Varenr / item no	Model	Varenavn	Item name	OE	stk/qty
1	N/A			BATTERY PACK	37710	1
2	9075071		JÆVNSTRØMSKONTAKT	DC CONTACTOR	37568	1
3	9075064		STYREBOKS	MOTOR CONTROLLER	37711	1
4	9075072		MOTOR	MOTOR	37776	1
5	N/A			CHARGER BODY	37777	1
6	N/A			CHARGING INDICATOR	37778	1
7	N/A			CHARGING GUN	37779	1
8	N/A			RECHARGE STAND	37780	1
9	9075073		LADEENHED	CHARGER ASSEMBLY	37709	1
10	9075063		JÆVNSTRØMSRETTET	DC-DC	37707	1
11	9045060		TÆNDINGSLÅS / NØGLEKONTAKT	START SWITCH	27457	1
12	9075074		KONTAKT V. HÅNDTAG	LEFT HANDLE SWITCH	37702	1
13	9075075		KONTAKT H. HÅNDTAG	RIGHT HANDLE SWITCH	37701	1
14	9075076		SKIFTEKONTAKT	SHIFT SWITCH	37781	1
15	9075077		OMSTILLERKONTAKT	MODE SWITCH	55078	1
16	9075078		SPEED SENSOR	SPEED RATIO SWITCH	37782	1
17	9075079		USB STIK	USB OUTPUT	36120	1
18	9075080		DISPLAY	METER	37705	1
19	9049266		BREMSEKONTAKT	FOOR BRAKE SWITCH	70405a	1
20	9057482		BLINKLYS RELÆ	FLASH BUZZER	73326	1
21	9029661		BAKGEAR ALARM (4WD)	REVERZING BUZZER	32038	1
22	9049317		HORN	HORN	70404	1
23	N/A			WIRE HARNESS	37783	1
24	9063263		LEDNINGSNET T/FORLYGTER (EU)	FRONT LAMP HARNESS	38182	1
25	9075081		LEDNINGSNET T/BAGLYGTER (EU)	REAR LAMP HARNESS	38162	1
26	9075082		BATTERI FORBINDELSKABEL	BATTERY PACK CONNECTING CABLE	37784	1
27	9075083		KONTROL	CONTROLLER POSITIVE WIRE	37785	1
28	9057196		RELÆ BLÆSER (LYSRELÆ LH150)	LIGHT RELAY	35656	2
29	9046756		BATTERI 12V 18AH	LEAD ACID BATTERY	70407a	1
30	9075084		MAGNETVENTIL	SOLENOID VALVE CONTROLLER	37786	3
31	9075085		MOTOR	PUSH ROD MOTOR	37787	1

Pos	Varenr / item no	Model	Varenavn	Item name	OE	stk/qty
32	9075086		STYRING	<i>PUSH ROD CONTROLLER</i>	37788	1
33	N/A			<i>15 AMP FUSE</i>	22020	5
34	N/A			<i>10 AMP FUSE</i>	84273	2
35	9049363		STIKDÅSE F/ UDTAG	<i>CIGAR LIGHTER ASSEMBLY</i>	71973	1
36	9075087		STYRING TRANSMISSION	<i>CONTROLLER TRANSITION LINE</i>	37789	1
37	9075088		STYRING VENTILATOR	<i>CONTROLLER FAN</i>	55226	1

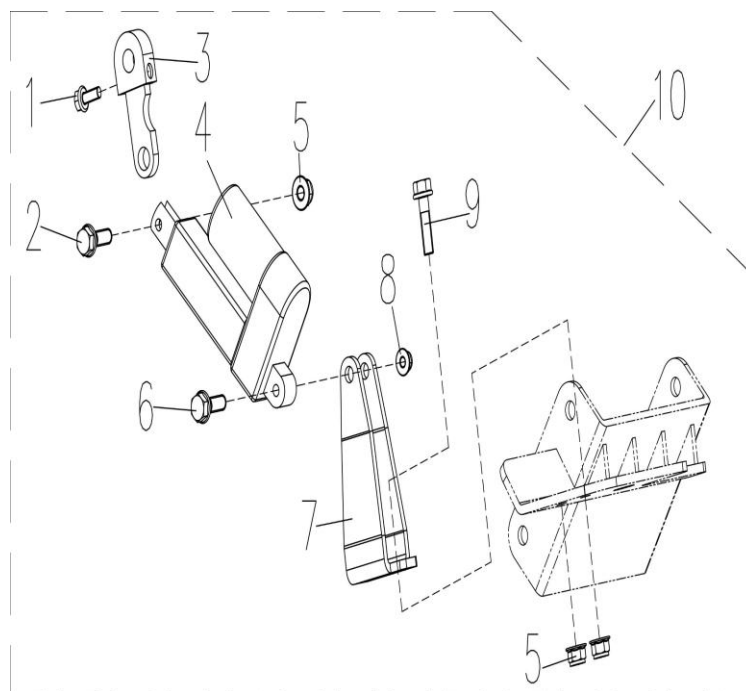
FIGUR 25 – WINCH



DELE TIL FIGUR 25

Pos	Varenr / item no	Model	Varenavn	Item name	OE	stk/qty
1	9046681		EL-TRÆKSPIL 12 V, 1.361 KG ATV	TRACTOR ASSY	73543	1
2	9070120		TRÆKSPIL T/PROMAX 500	TRACTOR	73544	1
3	N/A			TOW HOOK	73545	1
4	N/A			SLIDEWAY	73546	1
5	N/A			HEXAGON FLANGE BOLT M8 x20	11492	2
6	N/A			PREVAILING TORQUE TYPE ALL-METAL HEXAGON NUT M8	10794	4
7	N/A			HEXAGON FLANGE BOLT M8 x25	11466	2
8	9069213		KONTAKT (TRÆKSPIL)	SWITCH	36492	1
9	9067786		RELÆBOKS KPL.	CONTROLLER AND REMOTE CONTROL (ORDER WITH REMOTE CONTROL (4CF-77533-00)) (LENGTH OF THE POSITIVE WIRE CONNECTING THE POWER SUPPLY IS 1350MM)	80483	1
11	N/A			TIE	11334	1
12	N/A			NUT 5	11711	2
13	N/A			CONTROLLER BRACKET (FOR T3 EFI)	37126	1
14	N/A			BOLT M5 x25	11640	2
15	N/A			BOLT M6 x16(FOR T3 EFI)	11097	2
16	N/A			PLATE OF WINCH	80461	1
17A	N/A			WIREROPE	35943	1
17B	9069214		NYLONREB (TRÆKSPIL)	NYLON ROPE	35944	1

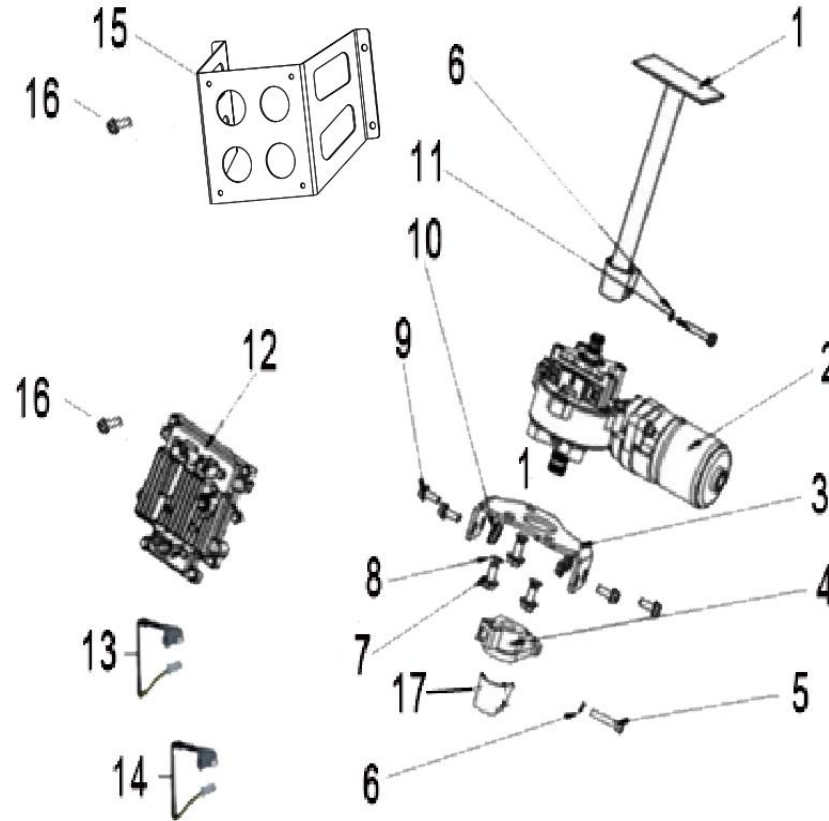
FIGUR 26 - ELECTRONIC GEAR-SHIFT



DELE TIL FIGUR 26

Pos	Varenr / item no	Model	Varenavn	Item name	OE	stk/qty
1	N/A			<i>BOLT M6 ×25</i>	11539	1
2	N/A			<i>BOLT M8 ×35</i>	11030	1
3	N/A			<i>ROCKER</i>	37790	1
4	9075085		MOTOR	<i>MOTOR</i>	37787	1
5	N/A			<i>NUT M8</i>	10079	3
6	N/A			<i>STEP BOLT</i>	37791	1
7	N/A			<i>STAND</i>	37792	1
8	9034694		MØTRIK M6	<i>NUT M6</i>	10004	1
9	9034036		FLANGEBOLT, M8X28	<i>BOLT M8 ×28</i>	10060	2
10	9075089		ELEKTRISK GEARSKIFT	<i>ELECTRONIC GEAR-SHIFT</i>	37793	1

FIGUR 27 - EPS



DELE TIL FIGUR 27

Pos	Varenr / item no	Model	Varenavn	Item name	OE	stk/qty
1	N/A			UPPER STEERING COLUMN (MARK"GY")	36507	1
2	9075090		EPS STYREMOTOR	EPS ASSY.(MARK"GY")	37821	1
3	N/A			PLATE EPS ASSY.	36256	1
4	N/A			LOWER STEERING COLUMN	36257	1
5	N/A			BOLT M8X40	36509	1
6	N/A			WASHER 8	10106	4
7	N/A			BOLT M10X1.5X20	11020	3
8	N/A			WASHER 10	11021	3
9	N/A			BOLT M8X20	10783	4
10	N/A			NUT M8	10882	4
11	N/A			BOLT M8X40	36509	1
12	9075091		EPS STYREBOKS	EPS CONTROLLER(MARK"GY")	37822	1
13	N/A			EPS POWER WIRE	36511	1
14	N/A			EPS SIGNALING LINE	36512	1
15	N/A			EPS CONTROLLER MOUNTING BOARD	37823	1
16	N/A			BOLT M6X20	11459	8
17	N/A			BALL BEARING MOUNTING NUT	36271	1

Vi forbeholder os ret til uden foregående varsel at ændre de tekniske parametre og specifikationer for dette produkt