

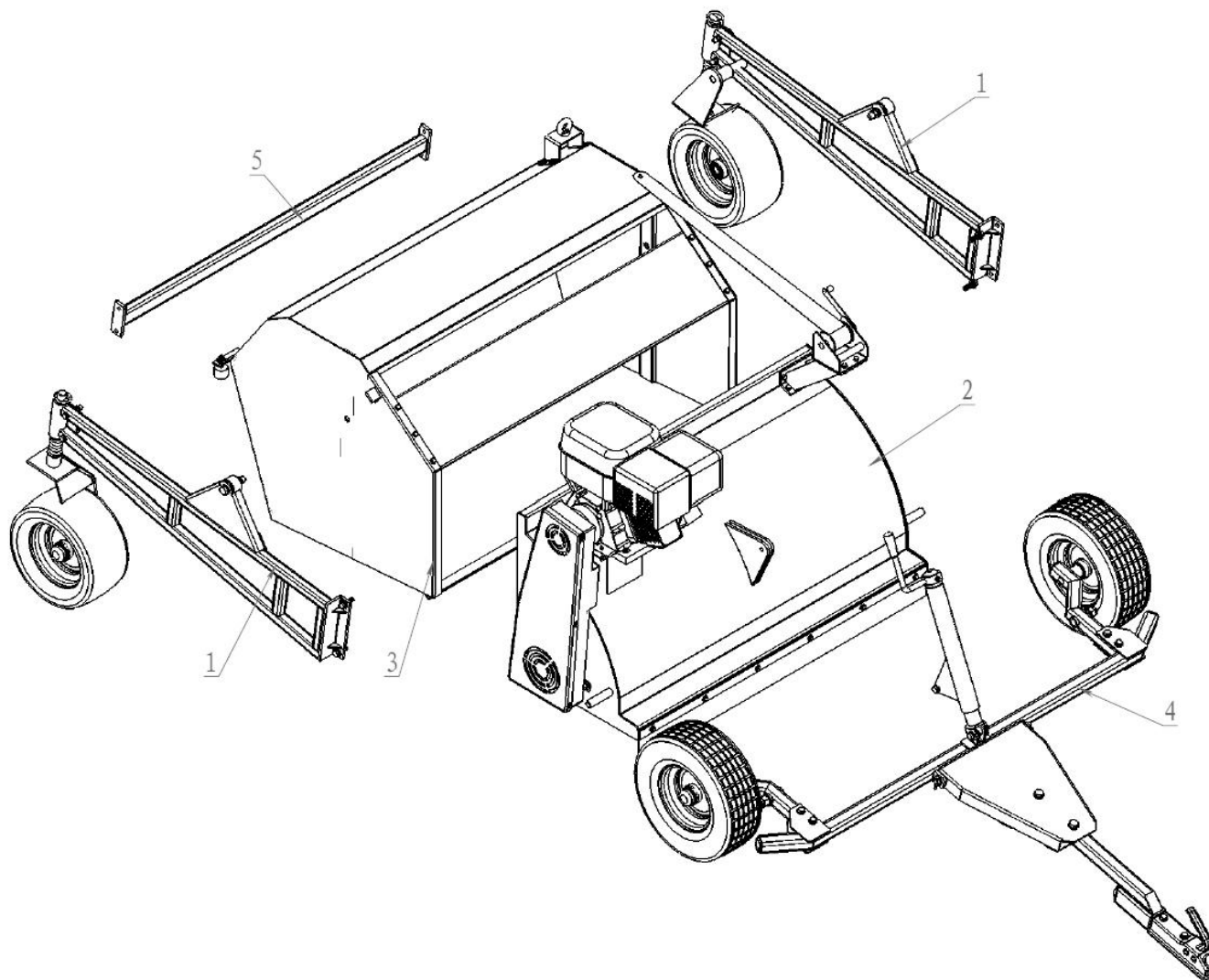
LÖVUPPSAMLARE TILL FYRHJULING



 **Magriquad**

RESERVDELSKATALOG TILL
9074723

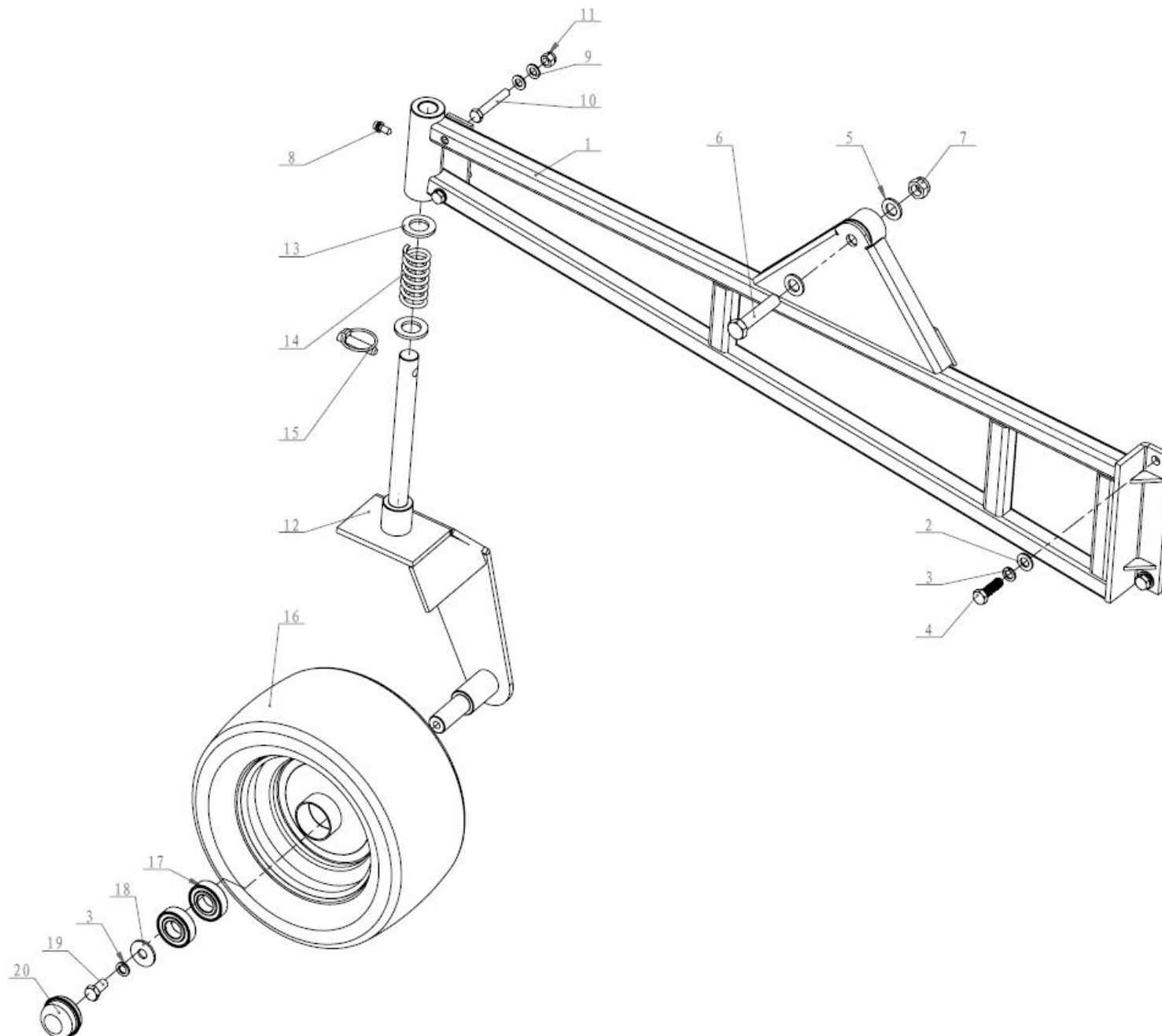
FIGUR 1



DELAR TILL FIG 1

Pos	Art.	Varunamn	Item name	Spec.	OE
1	N/A		<i>DECK WELDMENT</i>	KP120.04	1
2	N/A		<i>TRACTION PART</i>	KP120.05	1
3	N/A		<i>WHEEL FRAME</i>	KP120.02	2
4	N/A		<i>HOPPER</i>	KP120.03	1
5	N/A		<i>BACK CONNECTING BEAM</i>	KSP120.022	1

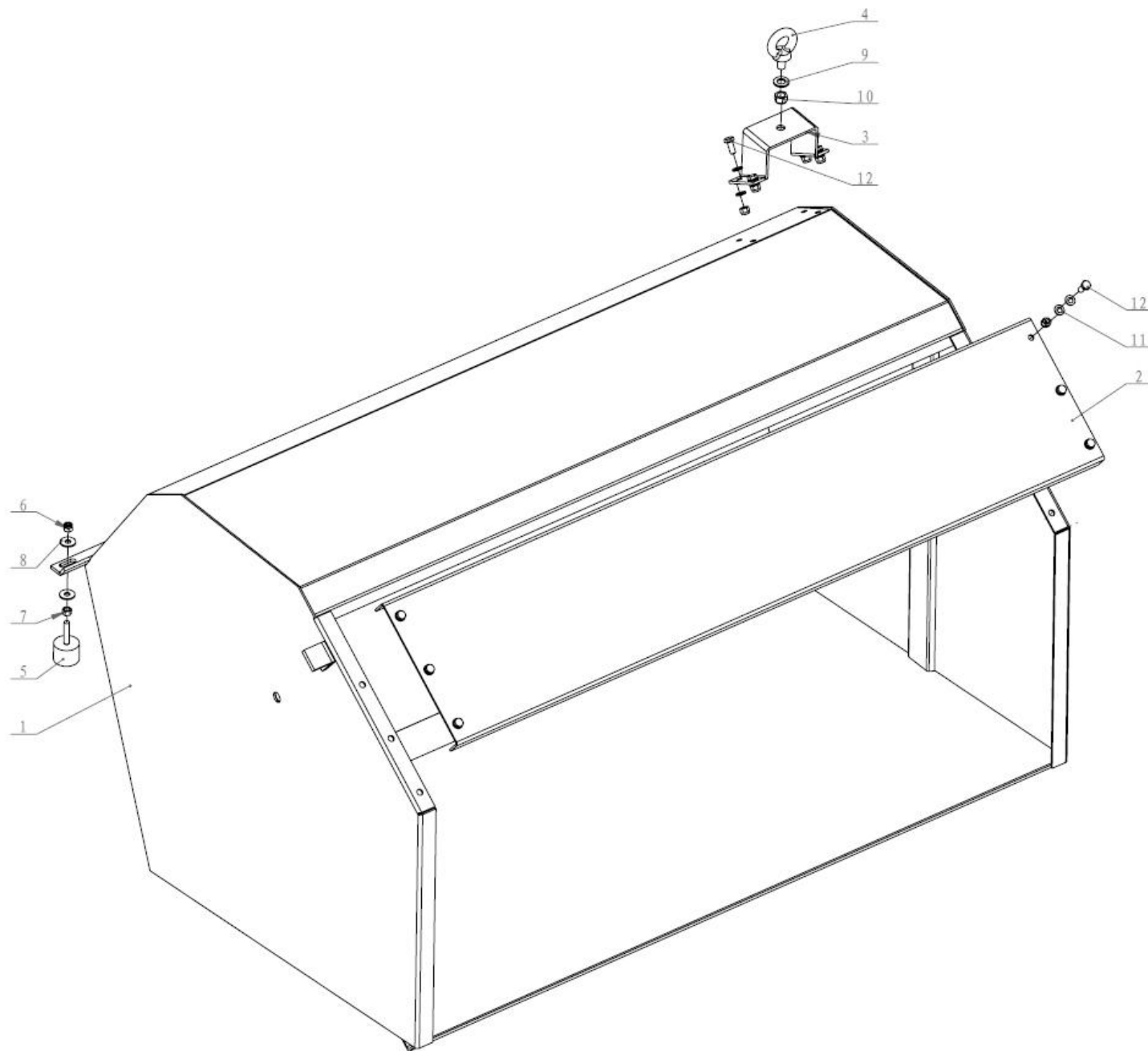
FIGUR 2



DELAR TILL FIG 2

Pos	Art.	Varunamn	Item name	Spec.	OE	st/pcs
1	N/A		<i>FRAME(LEFT)</i>		KSP120.020	symmetric one each
2	N/A		<i>PLAIN WASHER</i>	12	GB/T 95-2002	4
3	N/A		<i>SPRING WASHER</i>	12	GB/T859-1987	6
4	N/A		<i>OUTER HEXAGON HEAD BOLT</i>	M12*40	GB/T5783-2000	4
5	N/A		<i>PLAIN WASHER</i>	16	GB/T 95-2002	4
6	N/A		<i>OUTER HEXAGON HEAD BOLT</i>	M16*85	GB/T 5781-2000	2
7	N/A		<i>LOCKING NUT</i>	M16	GB/T889.1-2000	2
8	N/A		<i>NIPPLE</i>	M6	GB1152-89	2
9	N/A		<i>PLAIN WASHER</i>	10	GB/T 95-2002	8
10	N/A		<i>OUTER HEXAGON HEAD BOLT</i>	M10*65	GB/T 5780-2000	4
11	N/A		<i>LOCKING NUT</i>	M10	GB/T 6182-2000	4
12	N/A		<i>WHEEL FORK(LEFT)</i>		KSP120.012	1
13	N/A		<i>PLAIN WASHER</i>	M24*4	GB/T 95-2002	4
14	9075399	Fjäder	<i>WHEEL PRESSURE SPRING</i>		KSP120-120	2
15	N/A		<i>LOCK PIN ASSEMBLY</i>	Φ11	GB119-86	2
16	9075400	Hjul utan lager	<i>WHEEL</i>	13x5.00-6	KSP120.301	2
17	9075401	Lager	<i>DEEP GROOVE BALL BEARING</i>	6205-2Z	GB/T 276-94	4
18	N/A		<i>BIG PLAIN WASHER</i>	13.5*37*3	GB/T 96.2-2002	2
19	9075411	Bult	<i>OUTER HEXAGON HEAD BOLT</i>	M12*25	GB/T5783-2000	2
20	9075913	Navkapsel	<i>END COVER</i>		AT120-114	2

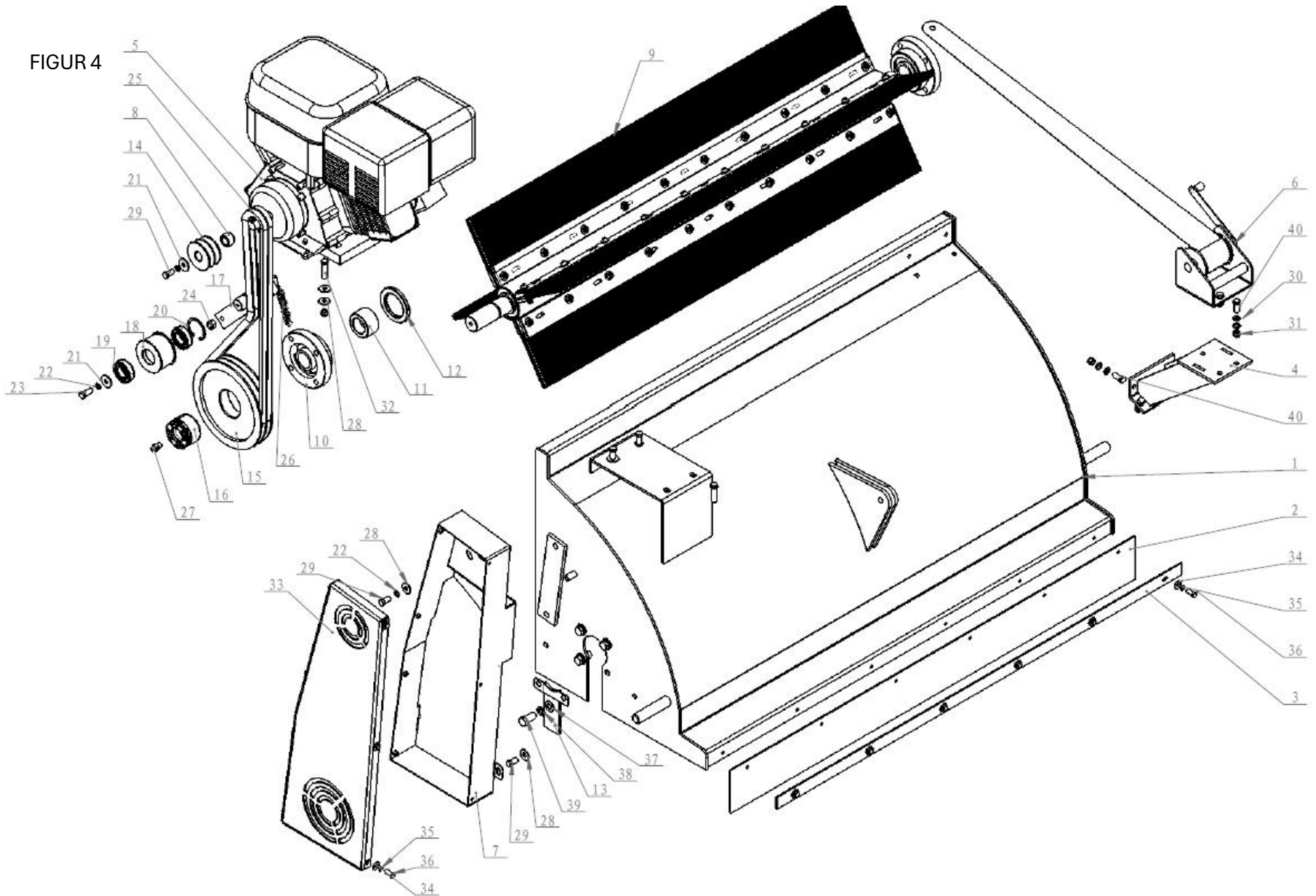
FIGUR 3



DELAR TILL FIG 3

Pos	Art.	Varunamn	Item name	Spec.	OE	st/pcs
1	N/A		<i>DUMP SKIP</i>		KSP120.013	1
2	N/A		<i>SHROUDING</i>		KSP120.023	1
3	N/A		<i>LUG SEAT</i>		KSP120.104	1
4	N/A		<i>LIFTING BOLT</i>	M12*22	GB 825-88	1
5	9075914	Gummidämpare	<i>ADJUST RUBBER</i>		KSP120.114	2
6	N/A		<i>LOCKING NUT</i>	M8	GB/T889.1-2000	12
7	N/A		<i>PLAIN NUT</i>	M8	GB/T 41-2000	2
8	N/A		<i>BIG WASHER</i>	9*24*2	GB/T 96.2-2002	4
9	N/A		<i>PLAIN WASHER</i>	M12	GB/T 95-2002	1
10	N/A		<i>LOCKING NUT</i>	M12	GB/T889.1-2000	1
11	N/A		<i>PLAIN WASHER</i>	8	GB/T 95-2002	20
12	N/A		<i>OUTER HEXAGON HEAD BOLT</i>	M8*20	GB/T5783-2000	10

FIGUR 4



Kontakt
 Order: 010-2097050
 Teknisk support: 010-2097050

P. Lindberg
 Myrangatan 4
 745 37 Enköping

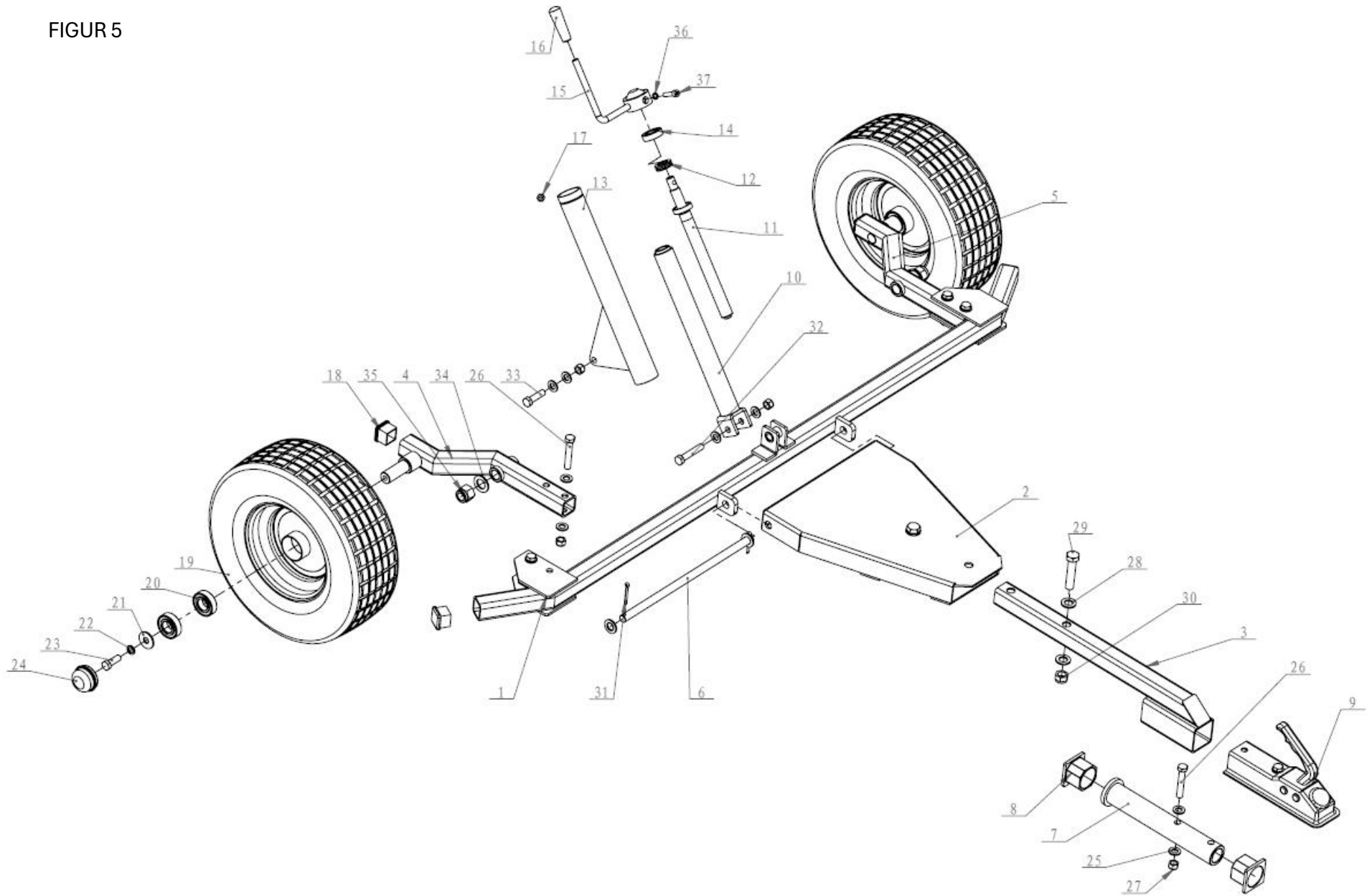
9074723 Lövvupsamlare
www.p-lindberg.se
 e-mail: order@p-lindberg.se

DELAR TILL FIG 4

Pos	Art.	Varunamn	Item name	Spec.	OE	st/pcs
1	N/A		DECK WELDMENT		KSP120.011	1
2	9075415	Stänkskydd gummi	RUBBER		KSP120.250	1
3	9075416	Skena för stänkskydd	RUBBER COVER PLATE		KSP120.234	1
4	N/A		CABLE SUPPORT ASSEMBLY		KSP120.015	1
5	9075417	Motor	ENGINE		JF200E	1
6	9075418	Vinsch	WINCH		KSP120.302	1
7	N/A		PROTECTING FOR TRANSMISSION		KSP120.016	1
8	N/A		SPACER		KSP120.251	1
9	N/A		ALUMINUM BRUSH		KSP120.06	1
10	9075419	Lager komplett	UC207 BEARING SEAT WITH HOUSING		GB/T7810-1995	2
11	9075421	Avståndsbussning	SLEEVE		AT120-106	1
12	9075422	Packbox	OIL SEAL	55*80*8	GB13871-1992	1
13	N/A		PROTECTING BAFFLE		KSP120.028	1
14	9075423	Motorremskiva	SMALL PULLY		KSP120.101	1
15	9075424	Remskiva nedre	DRIVING PULLY		KSP120.120	1
16	9075427	Taper lock	POWER LOCK	35*60	GBT 28701-2012	1
17	N/A		TENSIONING WHEEL BRACKET		AT120-027	1
18	9075428	Spännrulle	TENSIONING WHEEL		KSP120.121	1
19	N/A	Lager	DEEP GROOVE BALL BEARING	6005-2Z	GB/T 276-94	2
20	9075429	Låsring	CIRCLIP FOR HOLE	47	GB893.1-86	1
21	N/A		BIG WASHER	9*28*3	GB/T 5287-2002	2
22	N/A		SPRING WASHER	8	GB/T859-1987	6
23	9075431	Bultspännare	OUTER HEXAGON HEAD BOLT	M8*25	GB/T5783-2000	1
24	N/A		LOCKING NUT	M10	GB/T 6182-2000	1
25	9075433	Kilrem	BELT	A-1346	Belt-Ax1346	2
26	N/A		EXTENSION SPRING		AT120-116	1
27	N/A		NIPPLE	M8-1	GB1152-89	2
28	N/A		BIG WASHER	9*24*2	GB/T 96.2-2002	12
29	9075435	Bult motor	OUTER HEXAGON HEAD BOLT	M8*20	GB/T5783-2000	7
30	N/A		PLAIN WASHER	8	GB/T 95-2002	18
31	N/A		LOCKING NUT	M8	GB/T889.1-2000	13

Pos	Art.	Varunamn	Item name	Spec.	OE	st/pcs
32	N/A		<i>OUTER HEXAGON HEAD BOLT</i>	M8*40	GB/T 5781-2000	4
33	9075437	Remskärm	<i>BELT COVER</i>		KSP120.103	1
34	N/A		<i>BIG WASHER</i>	7*18*2	GB/T 96.2-2002	13
35	N/A		<i>SPRING WASHER</i>	6	GB/T859-1987	13
36	N/A		<i>OUTER HEXAGON HEAD BOLT</i>	M6*20	GB/T5783-2000	13
37	N/A		<i>PLAIN WASHER</i>	12	GB/T 95-2002	9
38	N/A		<i>SPRING WASHER</i>	12	GB/T859-1987	8
39	N/A		<i>OUTER HEXAGON HEAD BOLT</i>	M12*30	GB/T5783-2000	8
40	N/A		<i>OUTER HEXAGON HEAD BOLT</i>	M8*25	GB/T5781-2000	7

FIGUR 5

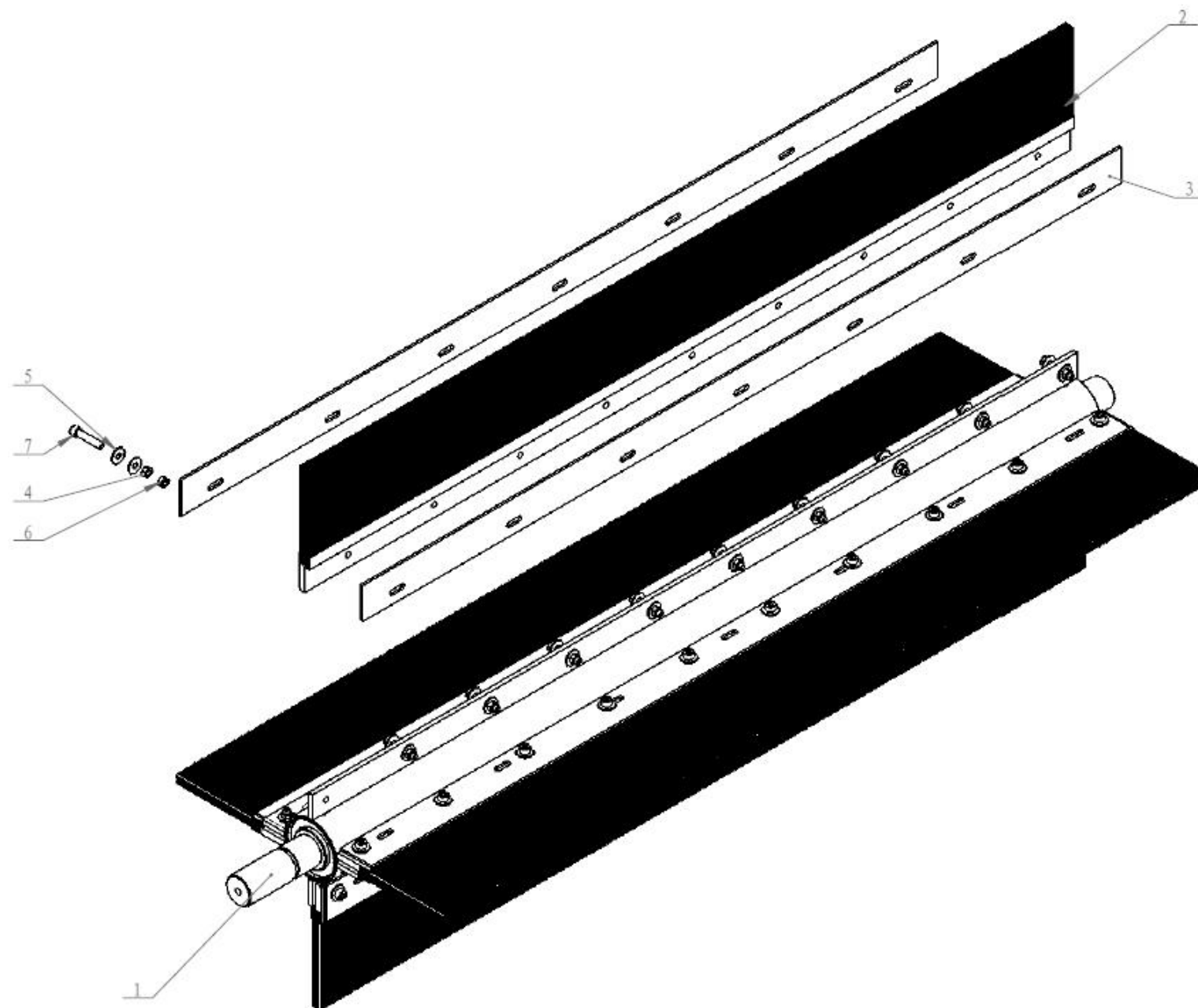


DELAR TILL FIG 5

Pos	Art.	Varunamn	Item name	Spec.	OE	st/pcs
1	N/A		PLUNGER ARM		KSP120.017	1
2	N/A		TRACTION ARM		KSP120.019	1
3	N/A		TRACTION SQUARE TUBE		ATV120.014	1
4	N/A		WHEEL BRACKET		KSP120.018	2
5	N/A		WHEEL FORK(RIGHT)		KSP120.029	1
6	N/A		CONNECTING PIN		KSP120-233	1
7	N/A		CONNECTING PIPE		KSP120.017	1
8	N/A		BUSH		ATV120.113	2
9	N/A		2CUN TRAILER CONNECTOR		KSP120.303	1
10	N/A		INNER PIPE		ATV120-013	1
11	N/A		THREAD ROD		AT120-014	1
12	9075438	Trycklager	THRUST BALL BEARING	51104	GB/T301-1995	1
13	N/A		OUTER PIPE		ATV120-012	1
14	9075440	Lager	DEEP GROOVE BALL BEARING	6004-2Z	GB/T 276-94	1
15	N/A		HANDLE		AT120-011	1
16	9075442	Plasthandtag	GRIP		AT120-101	1
17	N/A		NIPPLE	M8-1	GB1152-89	1
18	N/A		PIPE PLUG	40*40	EF175-155	4
19	9075447	Hjul, däck och fälg	BIG WHEEL	16*6.5-8	KSP120.304	2
20	9075448	Hjullager	DEEP GROOVE BALL BEARING	6205-2Z	GB/T 276-94	4
21	N/A		BIG WASHER	13.5*37*3	GB/T 96.2-2002	2
22	N/A		SPRING WASHER	12	GB/T859-1987	2
23	N/A		OUTER HEXAGON HEAD BOLT	M12*35	GB/T5783-2000	2
24	9075449	Navkapsel	END COVER		AT120-114	2
25	N/A		PLAIN WASHER C LEVEL	12	GB/T 95-2002	16
26	N/A		OUTER HEXAGON HEAD BOLT	M12*70	GB/T5781-2000	6
27	N/A		LOCKING NUT	M12	GB/T889.1-2000	8
28	N/A		PLAIN WASHER C LEVEL	16	GB/T 95-2002	6
29	N/A		OUTER HEXAGON HEAD BOLT	M16*75	GB/T5780-2000	2
30	N/A		LOCKING NUT	M16	GB/T889.1-2000	2
31	N/A		SPLIT PIN	5*40	GB/T91-2000	2

Pos	Art.	Varunamn	Item name	Spec.	OE	st/pcs
32	N/A		<i>OUTER HEXAGON HEAD BOLT</i>	M12*65	GB/T5781-2000	1
33	N/A		<i>OUTER HEXAGON HEAD BOLT</i>	M12*45	GB/T5783-2000	1
34	N/A		<i>PLAIN WASHER C LEVEL</i>	20*3	GB/T 95-2002	2
35	N/A		<i>LOCKING NUT</i>	M20	GB/T889.1-2000	2
36	N/A		<i>SPRING WASHER</i>	8	GB/T 859-1987	1
37	N/A		<i>SCREW WITH INNER SIX CYLINDRICAL HEAD</i>	M8*35	GB/T 70.1-2000	1

FIGUR 6



Kontakt
Order: 010-2097050
Teknisk support: 010-2097050

P. Lindberg
Myrangatan 4
745 37 Enköping

9074723 Lövvupsamlare
www.p-lindberg.se
e-mail: order@p-lindberg.se

DELAR TILL FIG 6

Pos	Art.	Varunamn	Item name	Spec.	OE	st/pcs
1	N/A		<i>BROOM SHAFT</i>		KSP120.025	1
2	9075450	Lös borste	<i>BRUSH</i>		KSP120.305	4
3	9075453	Borsthållare	<i>BROOM REINFORCEMENT BOARD</i>		KSP120.235	8
4	N/A		<i>NORMAL NUT</i>	M6	GB/T 6170-2000	40
5	N/A		<i>BIG WASHER C LEVEL</i>	7x18x2	GB/T 96.2-2002	80
6	N/A		<i>LOCKING NUT</i>	M6	GB/T 6182-2000	40
7	N/A		<i>SCREW WITH INNER SIX CYLINDRICAL HEAD</i>	M6x35	GB/T 70.1-2000	40

Vi förbehåller oss rätten att ändra de tekniska parametrarna och specifikationerna för denna produkt utan föregående meddelande.