

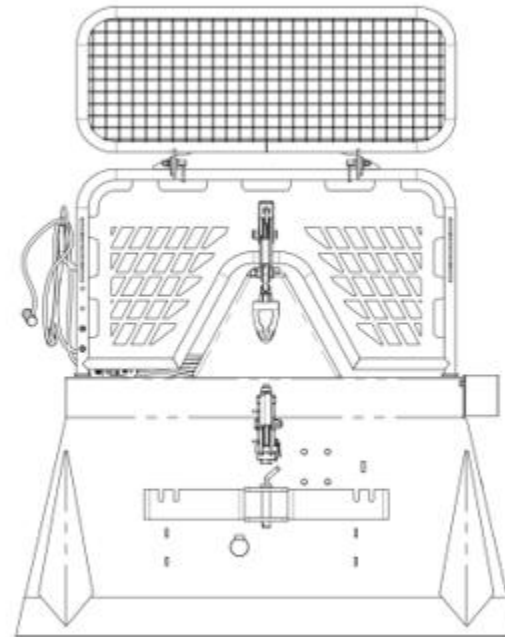
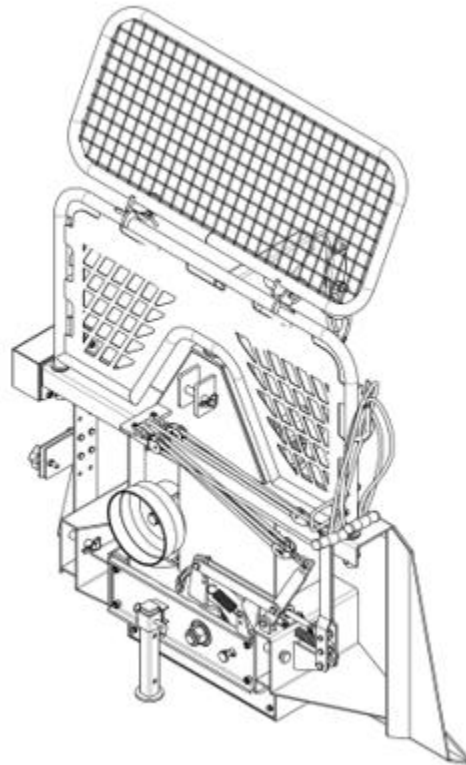


# AHEAD FW40R LUNNINGSVINSCH

4285 kg

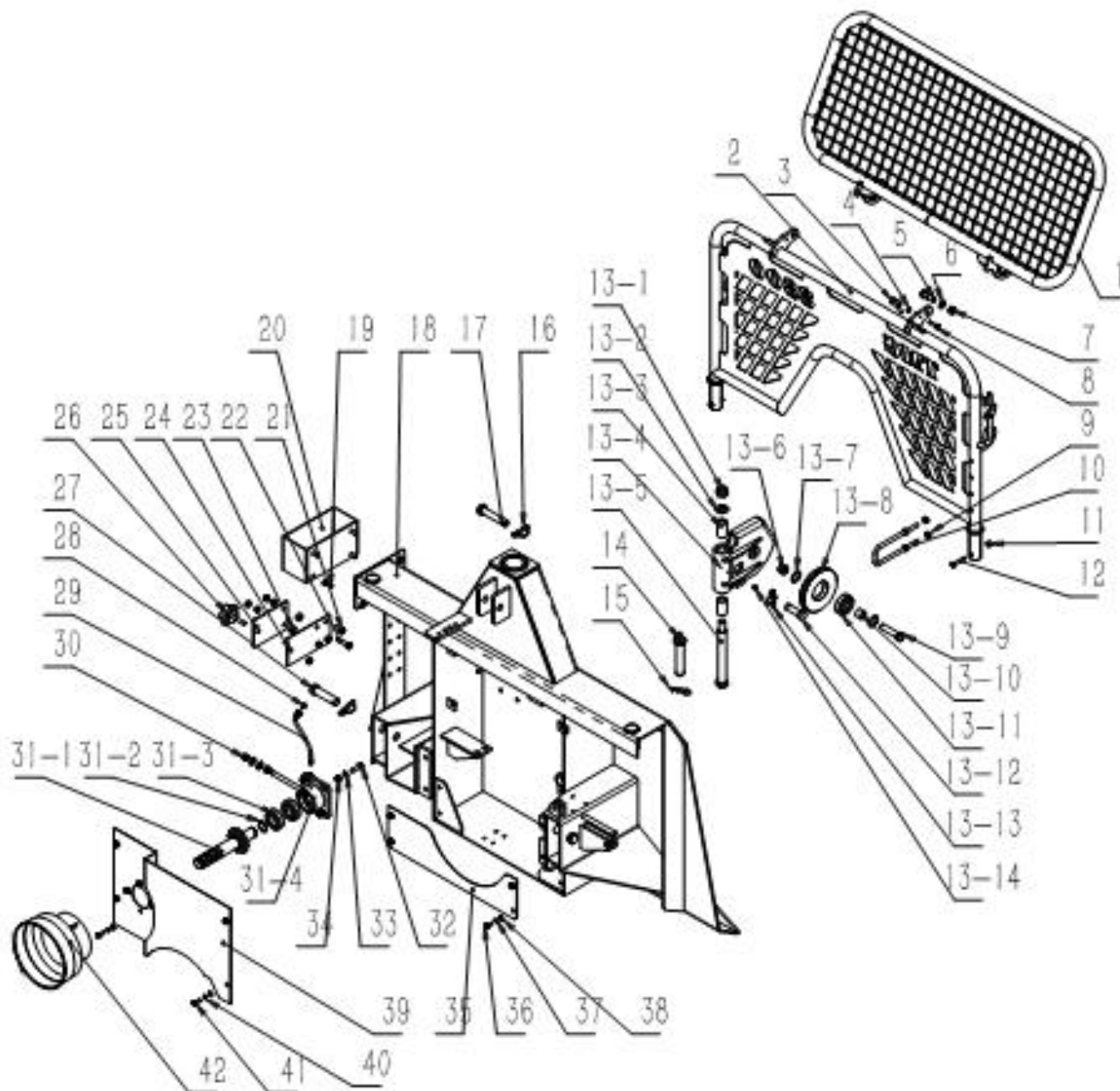
**Reservdelskatalog till**

9072329



18.06.2025 (V1)  
reviderad 06.03.2026

FIGUR 1

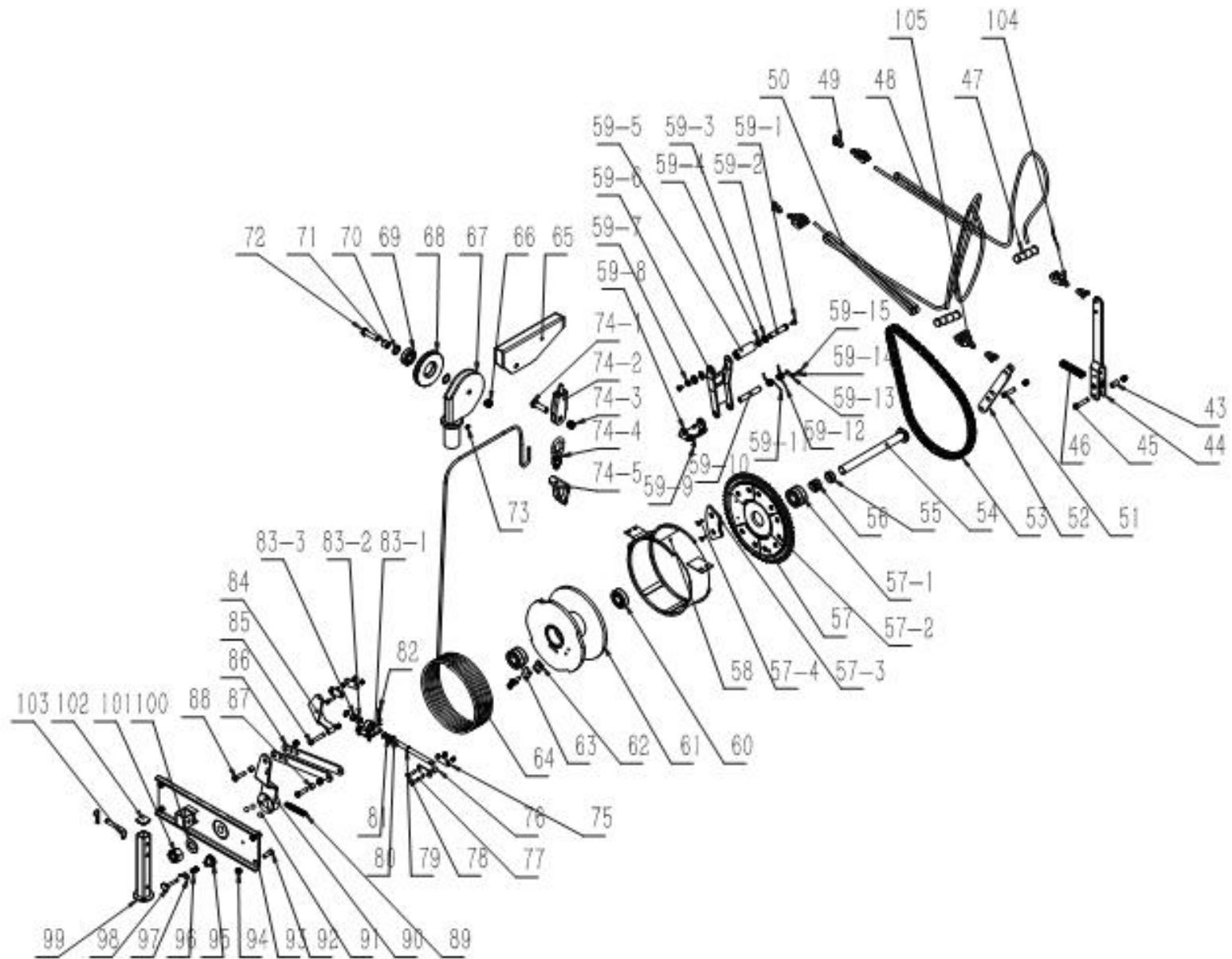


## DELE TIL FIG 1

Pos	Art.	Varunamn	Item name	OE	st/pcs
1	N/A	Skyddsram, övre del	UPPER PROTECTIVE MESH WELDING PARTS	FW40.44BR	1
2	N/A	Skyddsram, nedre del	BAFFLE WELDING PARTS	FW42.10TMG	1
3	9050207	Mutter M8	SWING HANDLE NUT M8	B-J0800409-M8	2
4	N/A	Bricka 8 mm	WASHER 8	B-G00097A-8	11
5	N/A	Bult M12	M12 BOLT	FW40.45BR	2
6	N/A	Bricka 12 mm	WASHER 12	B-G00097A-12	4
7	9050216	Låsmutter M12	LOCK NUT M12	B-G00889A-12	6
8	N/A	Bult M8x30	BOLT M8*30	B-G057830-8*30	1
9	9050208	Mutter M10	NUT M10	B-G061700-10	9
10	N/A	Fäste för draglina	DRAWSTRING FIXING FRAME	FW40.67BR	1
11	9050207	Mutter M8	NUT M8	B-G00889A-8	6
12	N/A	Bult M8x45	BOLT M8*45	B-G057820-8*45	2
13	9073525	Nedre trådväls	LOWER PULLEY ASSEMBLY	FW40.48BR	1
13-1	9071949	Mutter M20	NUT M20	B-G00889A-20	1
13-2	N/A	Bricka 20 mm	WASHER 20	B-G00097A-20	1
13-3	N/A	Packbox SF-2 28x25x50	BUSHING SF-2-28*25*50	W-06-SF-2-2550	2
13-4	N/A	Hölje	PULLEY SEAT WELDED PARTS	FW40.48BR.1	1
13-5	N/A	Stift	PIN	FW40.48BR.2	1
13-6	N/A	Mutter M16	NUT M16	B-G00889A-16	1
13-7	N/A	Packning	GASKET	FW40.42	2
13-8	N/A	Styrrullar	GUIDE WHEEL	FW40.24	1
13-9	9050262	Bult M16x70	BOLT M16*70	B-G057830-16*70	1
13-10	N/A	Bussning	SPACER	FW40.25	1
13-11	9038585	Kullager 6305-2RZ	BEARING 6305-2RZ	B-G002760-6305-2RZ	1
13-12	9073526	Säkerhetsbult	INSURANCE PIN	FW40.48BR.3	1
13-13	N/A	Låspinne (8)	LOCK PIN 8	B-G043290-8	1
13-14	N/A	Smörjnipplar	OIL CUP M8*1-304	B-J07940A-8*1A	1
14	N/A	Pin	TRAILER PIN WELDMENT	FW40.33	1
15	N/A	Fjädersprint 3,2	R PIN 3.2	EFGC125.110	2

Pos	Art.	Varunamn	Item name	OE	st/pcs
16	N/A	Låspinne (8)	LOCK PIN 8	B-G043290-8	3
17	N/A	Övre verktygsbult	UPPER SUSPENSION PIN	NCM175.17	1
18	N/A	Upphängning	MACHINE BASE WELDING PARTS	FW40.1BR	1
19	N/A	Bult M10x25	BOLT M10*25	B-G057830-10*25	4
20	N/A	Låda för motorsåg	CHAINSAW BOX	FW40.60BR	1
21	N/A	Bult M10x35	BOLT M10*35	B-G057830-10*35	2
22	N/A	Bult M10x45	BOLT M10*45	B-G057830-10*45	2
23	N/A	Bussning	SPACER	DSG61.15	2
24	N/A	Fäste (1)	CHAINSAW SPLINT 1	FW40.58BR	1
25	N/A	Fäste (2)	CHAINSAW SPLINT 2	FW40.59BR	1
26	9073527	Handtag	FIVE-STAR HANDLE: M10X50	W-06-WXBS-M10	1
27	N/A	Verktygsbult, nedre	LOWER SUSPENSION PIN	NCM175.18	2
28	N/A	Smörjnippel	STRAIGHT-THROUGH INJECTION OIL CUP M6	B-J07940A-6A	1
29	9073528	Smörj slang	HIGH PRESSURE BUTTER HOSE	EXF1200.30	1
30	9050209	Mutter M12	NUT M12	B-G061700-12	2
31	9073529	Kugghjul	DRIVING SPROCKET ASSEMBLY	FW40.3BR	1
31-1	9073530	Bussning	INPUT SHAFT PRESS FITTING	FW40.3.2	1
31-2	N/A	Låsring Ø30	RETAINING RING 30	B-G00894A-30	1
31-3	9038570	Kullager 6206-2RZ	BEARING 6206-2RZ	B-G002760-6206-2RZ	2
31-4	9073531	Lagerhus	BEARING SEAT WELDED PARTS	FW40.3.1	1
32	N/A	Bult M10x35	BOLT M10*35	B-G057830-10*35	6
33	9050203	Platt bricka 10 mm	FLAT WASHER 10	B-G000960-10	4
34	9050208	Mutter M10	NUT M10	B-G00889A-10	5
35	N/A	Stängningsplatta (bak)	REAR SEALING PLATE	FW40.4BR	1
36	9050231	Bult M8x20	BOLT M8*20	B-G057830-8*20	8
37	N/A	Fjäderbricka 8 mm	SPRING WASHER 8	B-G000930-8	8
38	9050202	Platt bricka 8 mm	FLAT WASHER 8	B-G00097A-8	8
39	N/A	Skydd	COVER PLATE WELDMENT	FW40.56BR	1
40	N/A	Bricka 8 mm	WASHER 8	B-G000930-8	8
41	9050231	Bult M8x20	BOLT M8*20	B-G057830-8*20	4
42	9043079	PTO-skydd	GEAR BOX COVER	FM150.120	1

FIGUR 2



## DELE TIL FIG 2

Pos	Art.	Varunamn	Item name	OE	st/pcs
43	N/A	Bussning (2)	SPACER 2	FW40.46BR	1
44	N/A	Handtag	TIE ROD WELDING PARTS	FW40.51BR	1
45	9050253	Bult M12x60	BOLT M12*60	B-G057820-12*60	1
46	9073532	Fjäder	COMPRESSION SPRING	FW40.52BR	1
47	N/A	Handtag	WOODEN HANDLE	FW40.63BR	2
48	9073533	Nylonrep (röd)	NYLON ROPE RED	FW40.61BR	1
49	N/A	Schacklar M8	D-SHACKLE M8	B-G05590-D-M8	4
50	9073534	Nylonrep (vit)	NYLON ROPE WHITE	FW40.62BR	1
51	9050252	Bult M12x50	BOLT M12*50	B-G057830-12*50	1
52	N/A	Stång	PULL PLATE	FW40.49BR	1
53	9073535	Kedja	CHAIN 12AH-1-74	B-G012430-12AH-1-74	1
54	9073536	Drivaxel	DRIVEN SHAFT	FW40.2	1
55	N/A	Bussning	SPACER	FW40.11	1
56	N/A	Fjäder	SPRING	FW10.12BR	1
57	N/A	Kuggghjul med slirkoppling	SPROCKET FRICTION PLATE ASSEMBLY	FW40.6D	1
57-1	9073537	Kullager 7306B/2RSDB	BEARING 7306B/2RSDB	B-G002920-7306B2RSDB	1
57-2	9073538	Drivhjul	DRIVEN SPROCKET	FW40.6D-1	1
57-3	9073539	Slirkoppling	FRICTION PLATE ASSEMBLY	FW40.6D.2	6
57-4	N/A	Skruv M8x25	SCREW M8*25	B-G00070C-8*25	12
58	N/A	Skyddsring	GUARD RING WELDING PARTS	FW40.41BR	1
59	N/A	Spik	PINCH WHEEL ASSEMBLY	FW40.5	1
59-1	N/A	Skruv M8x20	SCREW M8*20	B-G00070C-8*20	2
59-2	N/A	Spik	PRESSURE WHEEL SHAFT	FW40.5.4	1
59-3	9073540	Packbox 20x28x7	OIL SEAL FB20*28*7	B-G13871A-FB20*28*7	2
59-4	9073541	Kullager 61803-2RZ	BEARING 61803-2RZ	B-G002760-61803-2RZ	2
59-5	N/A	Rulle	PRESSURE WHEEL	FW40.5.3	1
59-6	N/A	Arm	PRESSURE WHEEL WELDING PARTS	FW40.5.1	1
59-7	N/A	Bussning	SPACER	FW40.5.8	1
59-8	N/A	Fäste	SUPPORT WELDING PARTS	FW40.5.2	1

Pos	Art.	Varunamn	Item name	OE	st/pcs
59-9	9050220	Bult M6x16	<i>BOLT M6*16</i>	B-G057830-6*16	4
59-10	N/A	Spik	<i>SUPPORT SHAFT</i>	FW40.5.5	1
59-11	9073542	Spännfjäder (2)	<i>TORSION SPRING 2</i>	FW40.5.9	1
59-12	9073543	Spännfjäder (1)	<i>TORSION SPRING 1</i>	FW40.5.6	1
59-13	N/A	Tryckplatta	<i>PRESSURE PLATE</i>	FW40.5.7	1
59-14	N/A	Bricka 5 mm	<i>WASHER 5</i>	B-G000930-5	2
59-15	9049180	Bult M5x12	<i>BOLT M5*12</i>	B-G057830-5*12	2
60	9073544	Kullager 7306B/2RS	<i>BEARING 7306B/2RS</i>	B-G002920-7306B/2RS	1
61	N/A	Trådvals	<i>ROLLER WELDING PARTS</i>	FW40.7A	1
62	N/A	Tryckplatta	<i>WIRE ROPE PRESSURE PLATE</i>	FW40.34A	2
63	9073537	Kullager 7306B/2RSDB	<i>BEARING 7306B/2RSDB</i>	B-G002920-7306B2RSDB	1
64	9073545	Wire 50 meter	<i>WIRE ROPE 9-6XK25FI+IWRC-1960B SZ</i>	YB/T5359	1
65	N/A	Wirestyrning	<i>WIRE ROPE GUIDE PLATE WELDED PARTS</i>	FW40.23	1
66	9050210	Mutter M16	<i>NUT M16</i>	B-G00889A-16	1
67	N/A	Övre wirerulle	<i>ROPE GUIDE WELDING PARTS</i>	FW40.22A	1
68	N/A	Styrningsrulle	<i>GUIDE WHEEL</i>	FW40.24	1
69	9073546	Kullager 6305-2RZ	<i>DEEP GROOVE BALL BEARING 6305-2RZ</i>	B-G002760-6305-2RZ	1
70	N/A	Packning	<i>GASKET</i>	FW40.42	2
71	N/A	Bussning	<i>SPACER</i>	FW40.25	1
72	N/A	Bult M16x65	<i>BOLT M16*65</i>	B-G057830-16*65	1
73	N/A	Smörjnippel	<i>STRAIGHT OIL CUP M8X1</i>	B-J07940A-8*1A	1
74	9073547	Wirelås	<i>WIRE ROPE JOINT ASSEMBLY</i>	FW40.26	1
74-1	N/A	Bult M18x60	<i>BOLT M18*60</i>	B-G057830-18*60	1
74-2	9073548	Hållare vid wirelås	<i>WEDGE WIRE CONNECTOR</i>	FW40.26.3	1
74-3	N/A	Mutter M18	<i>NUT M18</i>	B-G00889A-18	1
74-4	9073549	Dragögla	<i>LIFTING RING ASSEMBLY</i>	FW40.26.1	1
74-5	9073550	Lås	<i>RETRACTOR</i>	FW40.26.2	1
75	N/A	Fäste	<i>CONNECTING BOARD</i>	FW40.53BR	4
76	N/A	Bussning	<i>SPACER</i>	FW40.47BR	1
77	N/A	Bult M8x55	<i>BOLT M8*55</i>	B-G057820-8*55	1
78	N/A	Bult M8x35	<i>BOLT M8*35</i>	B-G057830-8*35	3

Pos	Art.	Varunamn	Item name	OE	st/pcs
79	N/A	Stång	LINK	FW40.54BR	1
80	N/A	Låsring	RETAINING RING	FW40.57BR	1
81	N/A	Låsring Ø16	RETAINING RING 16	B-G00894A-30	2
82	N/A	Bult M8x25	BOLT M8*25	B-G057830-8*25	4
83	N/A	Hållare	SEAT ASSEMBLY	FW40.55BR	1
83-1	N/A	Fäste	SEAT WELDING PARTS	FW40.55BR.1	1
83-2	9073551	Nylonbussning	NYLON SLEEVE	FW40.55BR.2	1
83-3	N/A	Låsring Ø24	RETAINING RING 24	B-G00893A-24	2
84	N/A	Stoppfäste	STOP PLATE WELDMENT	FW40.18BR	1
85	N/A	Bult M12x65	BOLT M12*65	B-G057820-12*65	1
86	N/A	Spik	LINK	FW40.50BR	2
87	N/A	Bussning	SPACER	FW40.16	2
88	N/A	Bult M12x45	BOLT M12*45	B-G057830-12*45	2
89	9073552	Spännfjäder	EXTENSION SPRING	FW40.68BR	1
90	N/A	Vipparm	ROCKER ARM WELDED PARTS	FW40.8D	1
91	N/A	Ø18 kula	Ø18 MARBLES	W-06-Ø18DZ	3
92	N/A	Bult M12x35	BOLT M12*35	B-G057830-12*35	4
93	N/A	Frontkåpa	FRONT COVER WELDMENT	FW40.9D	1
94	9050209	Mutter M12	NUT M12	B-G00889A-10	4
95	9073553	Bromsblock	BRAKE FRICTION PAD ASSEMBLY	FW40.30	1
96	9073554	Bromsring	FRICTION PLATE COMPRESSION SPRING	FW40.31	1
97	N/A	Fjärrmutter M10	BUTTERFLY NUT M10	B-G00062A-10	1
98	9073555	Handtag	ADJUSTMENT HAND WHEEL	FW40.32	1
99	9073556	Stödfot	SUPPORT LEG WELDING PARTS	FW40.13	1
100	N/A	Platt bricka 30 mm	FLAT WASHER 30	B-G00097A-30	1
101	N/A	Mutter M30	NUT M30	B-G00889A-30	1
102	N/A	Plastplugg 38x38	SQUARE RUBBER COVER 38	W-08-F38	1
103	9073557	Låspal	BEND PIN	FW40.21	1
104	N/A	Bricka	DOUBLE PULLEY ASSEMBLY	FW40.65BR	1
105	N/A	Bricka	DOUBLE PULLEY ASSEMBLY	FW40.64BR	1

Vi förbehåller oss rätten att ändra de tekniska parametrarna och specifikationerna för denna produkt utan föregående meddelande.