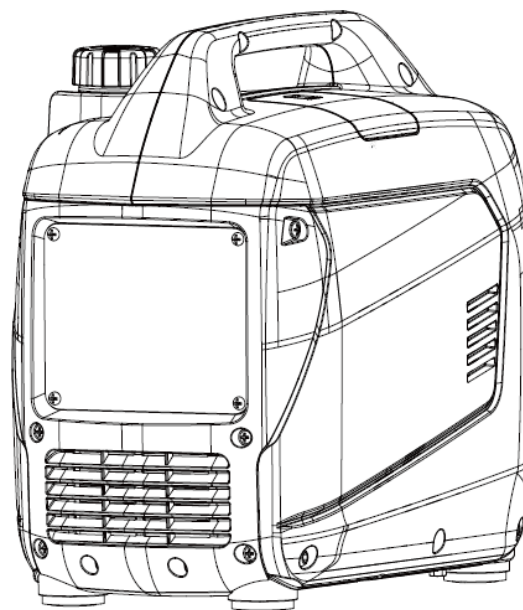


SENCI BENSINELVERK, INVERTER

SC1400I

Reservdelskatalog till

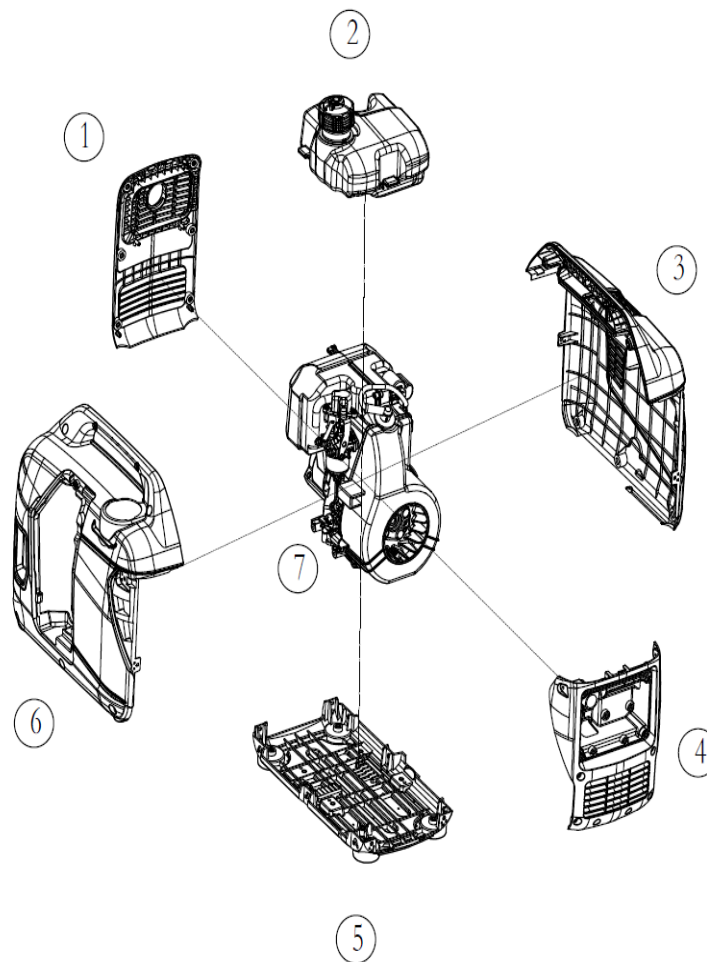
9072356



SENCI®

25.03.2026 (V1)

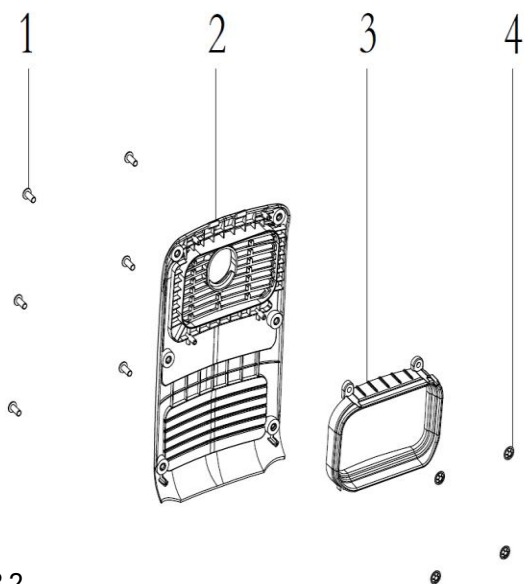
FIGUR 1 (hela elverket)



DELAR TILL FIGUR 1

| Pos | Art. | Varunamn | Item name | Spec. | OE |
|-----|------|---------------------------------|---------------------------------|----------------|----|
| 1 | N/A | Luftutlopp - lock | AIR OUTLET COVER PLATE ASSEMBLY | 33013-00695-00 | 1 |
| 2 | N/A | Bränsletank, komplett | FUEL TANK ASSEMBLY | 20130-00663-00 | 1 |
| 3 | N/A | Generatorhus, höger sida | MACHINE RIGHT HOUSING ASSEMBLY | 33013-00696-00 | 1 |
| 4 | N/A | Luftinlopp, växelriktare - lock | INVERTER AIR INTAKE COVER | 33013-00574-00 | 1 |
| 5 | N/A | Generatorhus, botten | BASEBOARD ASSEMBLY | 33089-00505-00 | 1 |
| 6 | N/A | Generatorhus, vänster sida | MACHINE LEFT HOUSING ASSEMBLY | 33013-00697-00 | 1 |
| 7 | N/A | Motor, komplett | ENGINE ASSEMBLY | 20260-05568-17 | 1 |

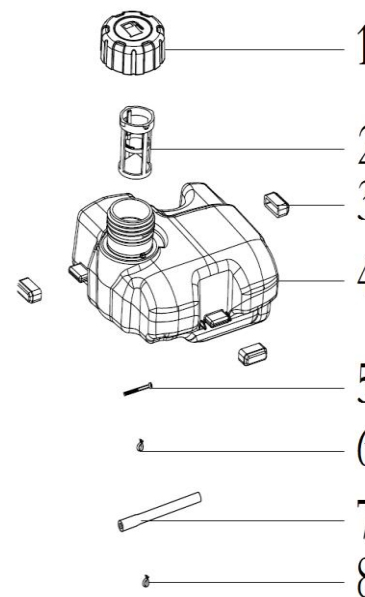
FIGUR 2



DELAR TILL FIGUR 2

| Pos | Art. | Varunamn | Item name | Spec. | OE |
|-----|------|-------------------------|----------------------------------|----------------|----|
| 1 | N/A | Skruv | CROSS RECESSED PAN HEAD SCREW | 30111-00088-00 | 6 |
| 2 | N/A | Ljuddämparskydd | MUFFLER OUTLET COVER PLATE | 33013-00569-00 | 1 |
| 3 | N/A | Ljuddämparens gummiring | MUFFLER AIR OUTLET RUBBER SLEEVE | 33015-00200-00 | 1 |
| 4 | N/A | Snäpplås, metall | STEEL WIRE SNAP RINGS FOR HOLE | 30150-00026-00 | 4 |

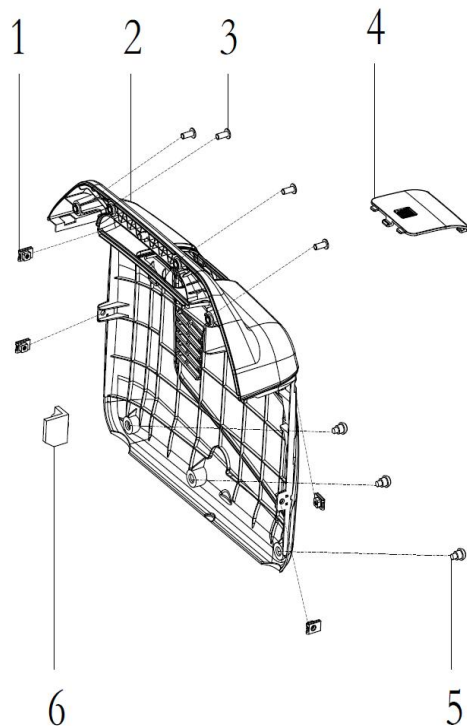
FIGUR 3



DELAR TILL FIGUR 3

| Pos | Art. | Varunamn | Item name | Spec. | OE |
|-----|---------|---------------|----------------------------|----------------|----|
| 1 | 9075531 | Tanklock | OIL TANK COVER | 20131-00065-00 | 1 |
| 2 | 9075533 | Filter | OIL TANK FILTER SCREEN | 34037-00001-02 | 1 |
| 3 | N/A | Gummibussning | OIL TANK LUG RUBBER SLEEVE | 33015-00023-00 | 3 |
| 4 | N/A | Bränsletank | FUEL TANK | 20130-00663-00 | 1 |
| 5 | N/A | Skruv | FILTER SCREEN ASSEMBLY | 70010-01920-00 | 1 |
| 6 | N/A | Klämma | CLAMP | 34024-00003-00 | 1 |
| 7 | N/A | Bränsleslang | FUEL PIPE | 34023-00366-00 | 1 |
| 8 | N/A | Klämma | CLAMP | 34024-00062-00 | 1 |

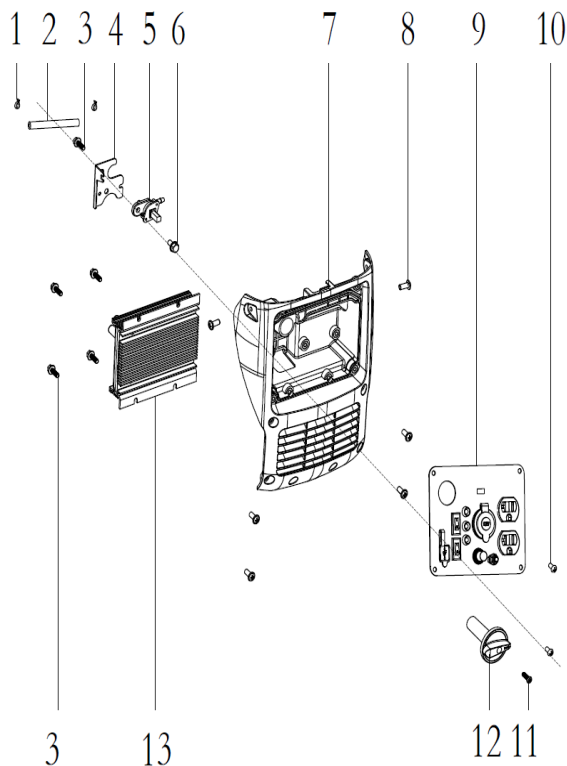
FIGUR 4



DELAR TILL FIGUR 4

| Pos | Art. | Varunamn | Item name | Spec. | OE |
|-----|------|---------------------|---|----------------|----|
| 1 | N/A | Klämma | <i>CLAMP NUT</i> | 34024-00105-00 | 4 |
| 2 | N/A | Höger sida, hus | <i>MACHINE RIGHT HOUSING</i> | 33013-00696-00 | 1 |
| 3 | N/A | Skruv | <i>CROSS RECESSED PAN HEAD SCREW</i> | 30111-00088-00 | 4 |
| 4 | N/A | Lock över tändstift | <i>SPARK PLUG MAINTENANCE COVER PLATE</i> | 33013-00572-00 | 1 |
| 5 | N/A | Bult | <i>HEXANGON SOCKET HEAD BOLT</i> | 30114-00033-00 | 3 |
| 6 | N/A | Distans | <i>TANK HEAD POSITIONING PAD</i> | 33275-00167-00 | 1 |

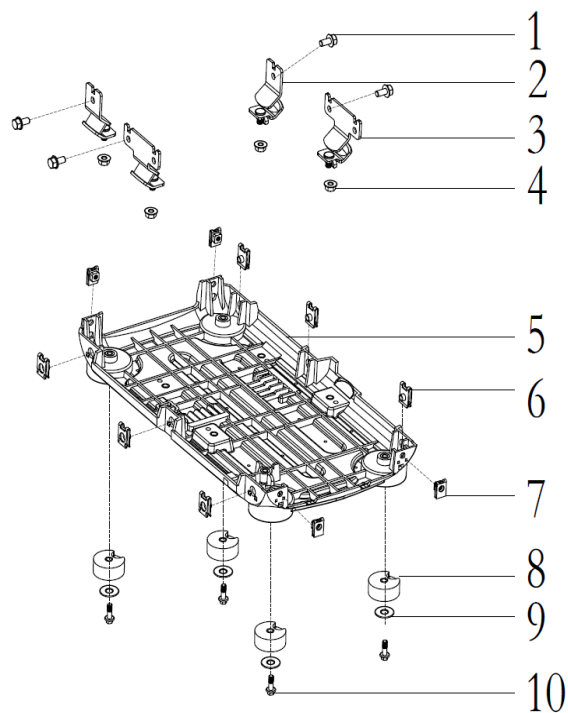
FIGUR 5



DELAR TILL FIGUR 5

| Pos | Art. | Varunamn | Item name | Spec. | OE |
|-----|------|------------------------|-------------------------------|----------------|----|
| 1 | N/A | Klämma | CLAMP | 34024-00002-00 | 2 |
| 2 | N/A | Bränsleslang | FUEL PIPE | 34023-00337-00 | 1 |
| 3 | N/A | Flänsbult | HEXAGON FLANGE BOLT | 30101-00066-00 | 5 |
| 4 | N/A | Brytarfäste | SWITCH BRACKET | 20014-00850-00 | 1 |
| 5 | N/A | Bränslekran | FUEL TANK SWITCH | 20133-00029-00 | 1 |
| 6 | N/A | Flänsbult | HEXAGON FLANGE BOLT | 30101-00070-00 | 1 |
| 7 | N/A | Luftinsugsskydd | AIR INLET COVER PLATE | 33013-00574-00 | 1 |
| 8 | N/A | Skruv | CROSS RECESSED PAN HEAD SCREW | 30111-00088-00 | 6 |
| 9 | N/A | Komplett kontrollpanel | CONTROL PANEL ASSEMBLY | 20114-08729-00 | 1 |
| 10 | N/A | Skruv | CROSS RECESSED PAN HEAD SCREW | 30111-00008-00 | 4 |
| 11 | N/A | Skruv | CROSS RECESSED PAN HEAD SCREW | 30111-00023-00 | 1 |
| 12 | N/A | Handtag, bränslekran | OIL SWITCH KNOB | 31026-00121-02 | 1 |
| 13 | N/A | Växletriktarkomponent | INVERTER COMPONENT | 20136-00474-02 | 1 |

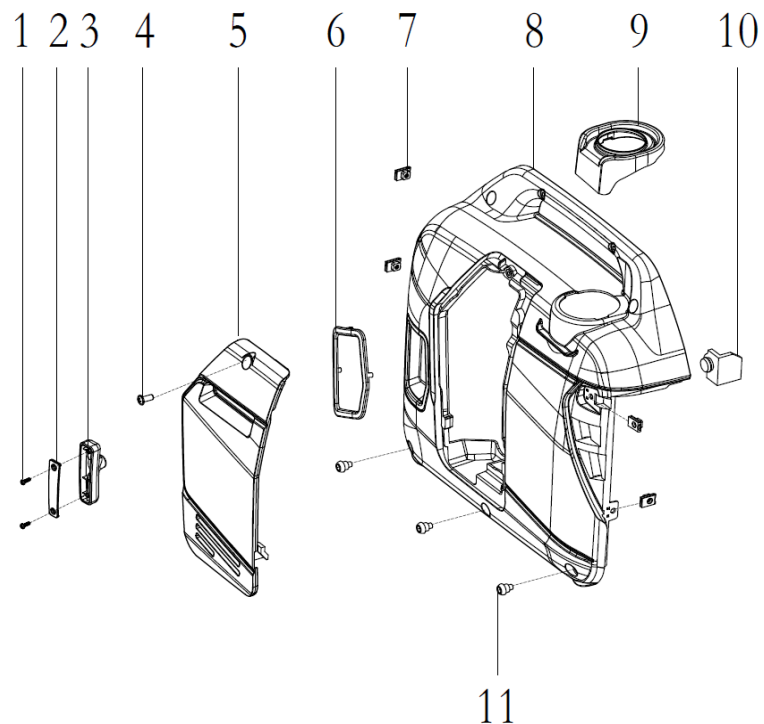
FIGUR 6



DELAR TILL FIG 6

| Pos | Art. | Varunamn | Item name | Spec. | OE |
|-----|------|--------------|--------------------------|----------------|----|
| 1 | N/A | Flänsbult | HEXAGON FLANGE BOLT | 30101-00070-00 | 4 |
| 2 | N/A | Spjällplatta | SHOCK ABSORBER BASE | 34030-00230-00 | 2 |
| 3 | N/A | Spjällplatta | SHOCK ABSORBER BASE | 34030-00231-00 | 2 |
| 4 | N/A | Flänsmutter | HEXAGON FLANGE NUT | 30125-00002-00 | 4 |
| 5 | N/A | Bottenplatta | POWER BOTTOM PLATE | 33089-00505-00 | 1 |
| 6 | N/A | Clips | CLAMP NUT | 34024-00085-00 | 6 |
| 7 | N/A | Clips | CLAMP NUT | 34024-00105-00 | 4 |
| 8 | N/A | Gummibussen | MACHINE SHELL RUBBER PAD | 33275-00122-00 | 4 |
| 9 | N/A | Planbricka | FLAT WASHER | 30136-00113-00 | 4 |
| 10 | N/A | Flänsbult | HEXAGON FLANGE BOLT | 30101-00042-00 | 4 |

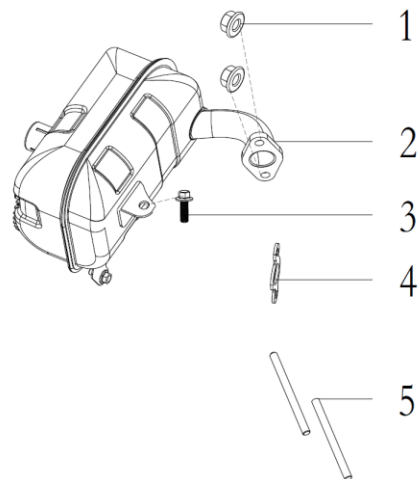
FIGUR 7



DELAR TILL FIGUR 7

| Pos | Art. | Varunamn | Item name | Spec. | OE |
|-----|---------|------------------------------|-------------------------------|----------------|----|
| 1 | N/A | Skruv | CROSS RECESSED PAN HEAD SCREW | 30117-00052-00 | 2 |
| 2 | N/A | Kåpa för rekylstartarhandtag | HANDLE COVER PLATE | 20184-00044-00 | 1 |
| 3 | 9075534 | Rekylstart | PULL HANDLE ASSEMBLY | 20184-00043-00 | 1 |
| 4 | N/A | Skruv | CROSS RECESSED PAN HEAD SCREW | 30111-00088-00 | 1 |
| 5 | N/A | Kåpa, vänster sida | LEFT COVER PLATE | 33013-00573-00 | 1 |
| 6 | N/A | Packning | PROTECTION RING STARTER | 33014-01599-00 | 1 |
| 7 | N/A | Låsmutter | CLAMP NUT | 34024-00105-00 | 4 |
| 8 | N/A | Vänster sida, hus – komplett | MACHINE LEFT HOUSING ASSEMBLY | 33013-00697-00 | 1 |
| 9 | N/A | Distans | FUEL PUMP SPACER | 33015-00201-00 | 1 |
| 10 | N/A | Distans | TANK HEAD POSITIONING PAD | 33275-00167-00 | 1 |
| 11 | N/A | Bult | HEXANGO SOCKET HEAD BOLT | 30114-00033-00 | 3 |

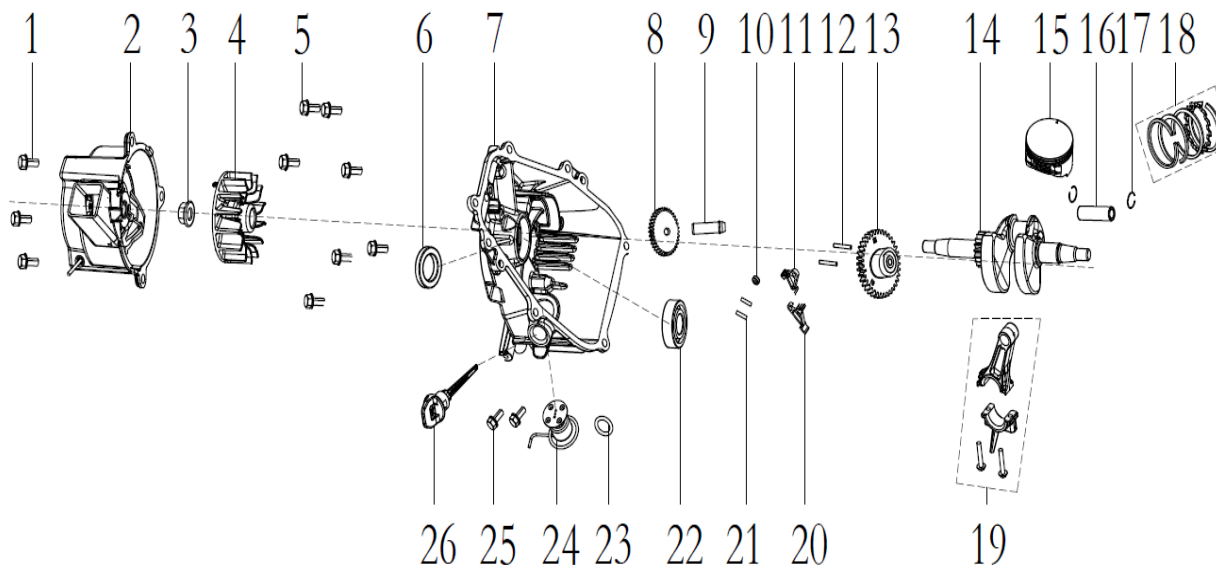
FIGUR E1



DELAR TILL FIGUR E1

| Pos | Art. | Varunamn | Item name | Spec. | OE |
|-----|------|--------------------|------------------------------|----------------|----|
| 1 | N/A | Mutter | HEXAGONAL NUT | 30121-00038-00 | 2 |
| 2 | N/A | Ljuddämpare | MUFFLER COMPONENT | 20202-00658-00 | 1 |
| 3 | N/A | Flänsbult | FLANGE HEX HEAD BOLT | 30101-00401-00 | 1 |
| 4 | N/A | Packning, avgasrör | EXHAUST VALVE GASKET | 33048-00498-00 | 1 |
| 5 | N/A | Stödbult, avgasrör | EXHAUST DOUBLE-END STUD BOLT | 30110-00024-00 | 2 |

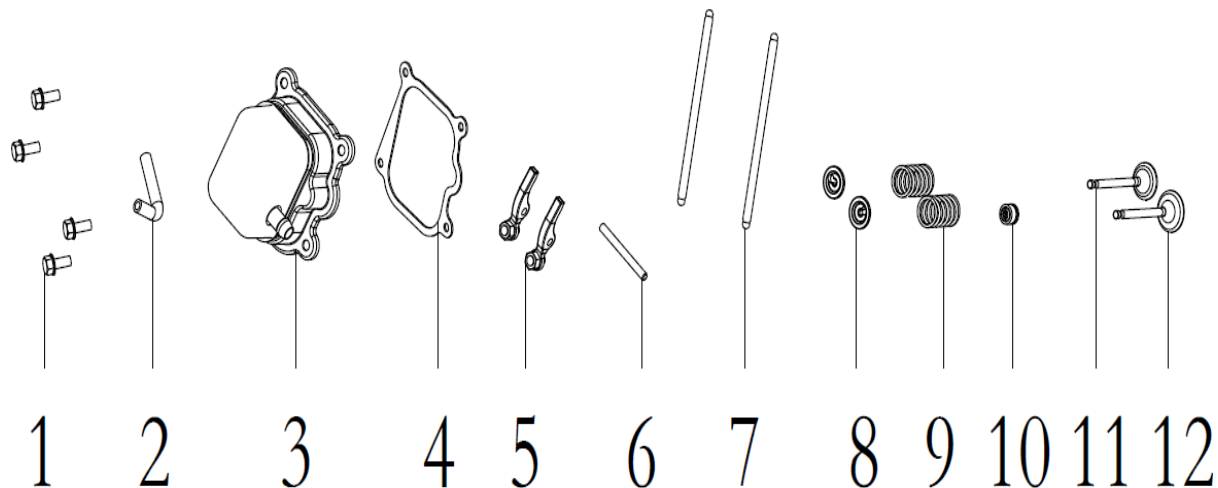
FIGUR E2



DELAR TILL FIGUR E2

| Pos | Art. | Varunamn | Item name | Spec. | OE |
|-----|------|---------------------------|--------------------------------|----------------|----|
| 1 | N/A | Flänsbult | FLANGE HEX HEAD BOLT | 30101-00068-00 | 3 |
| 2 | N/A | Snörstartare | RECOIL STARTER | 20010-00415-01 | 1 |
| 3 | N/A | Flänsmutter | FLANGE HEX HEAD NUT | 30125-00009-00 | 1 |
| 4 | N/A | Fläkt | FAN | 33155-00161-00 | 1 |
| 5 | N/A | Flänsbult | FLANGE HEX HEAD BOLT | 30101-00830-00 | 6 |
| 6 | N/A | Packning | OIL SEAL | 34007-00116-00 | 1 |
| 7 | N/A | Vevhus | CRANKCASE COVER | 33129-00099-01 | 1 |
| 8 | N/A | Drivhjul | OIL-THROWING GEAR SHAFT | 20013-00027-00 | 1 |
| 9 | N/A | Kraftaxel | OIL-THROWING GEAR SHAFT | 30134-00038-00 | 1 |
| 10 | N/A | Bussning | LOWER ROCKER BUSHING | 34032-00117-00 | 1 |
| 11 | N/A | Insugningsventil, vipparm | INTAKE VALVE LOWER ROCKER ARM | 34019-00051-00 | 1 |
| 12 | N/A | Axel | LOWER ROCKER SHAFT | 30134-00023-00 | 2 |
| 13 | N/A | Kamaxel | CAMSHAFT ASSEMBLY | 20012-00054-00 | 1 |
| 14 | N/A | Vevaxel, komplett | CRANKSHAFT ASSEMBLY | 20011-00301-00 | 1 |
| 15 | N/A | Kolv | PISTON | 34004-00108-00 | 1 |
| 16 | N/A | Kolvstift | PISTON PIN | 34006-00138-00 | 1 |
| 17 | N/A | Kolvhållring | PISTON PIN CIRCLIP | 30150-00117-00 | 2 |
| 18 | N/A | Kolvringar, kompletta | PISTON RING ASSEMBLY | 20084-00139-00 | 1 |
| 19 | N/A | Vevstång | CONNECTING ROD ASSEMBLY | 20008-00056-00 | 1 |
| 20 | N/A | Avgasventil, vipparm | EXHAUST VALVE LOWER ROCKER ARM | 34019-00052-00 | 1 |
| 21 | N/A | Kil | CYLINDRICAL PIN | 34006-00204-00 | 2 |
| 22 | N/A | Kullager | DEEP GROOVE BALL BEARING | 30141-00112-00 | 1 |
| 23 | N/A | O-ring / packningsring | O SEAL RING | 33048-00584-00 | 1 |
| 24 | N/A | Oljemätare | OIL SENSOR | 33247-00024-00 | 1 |
| 25 | N/A | Flänsbult | FLANGE HEX HEAD BOLT | 30101-00070-00 | 2 |
| 26 | N/A | Oljesticka | OIL DIPSTICK ASSEMBLY | 20026-00064-00 | 1 |

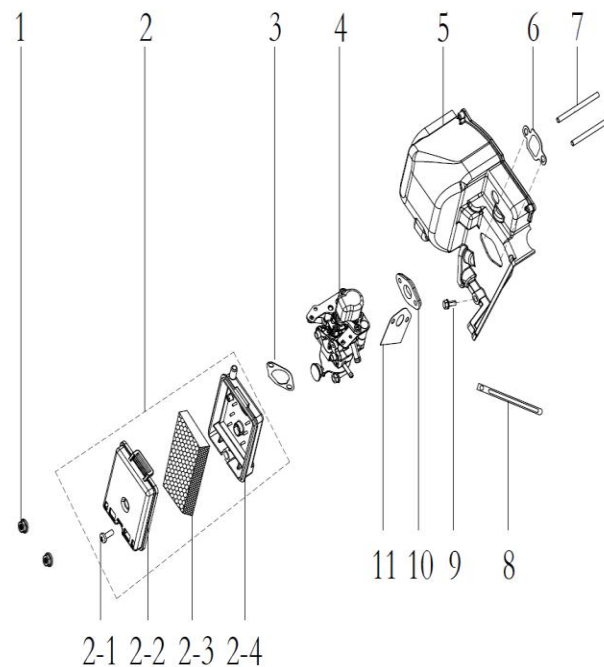
FIGUR E3



DELAR TILL FIGUR E3

| Pos | Art. | Varunamn | Item name | Spec. | OE |
|-----|------|-------------------|-------------------------------|----------------|----|
| 1 | N/A | Flänsbult | HEXAGON FLANGE BOLTS | 30101-00066-00 | 4 |
| 2 | N/A | Avgasrör | WASTE PIPE | 34023-00016-00 | 1 |
| 3 | N/A | Topplöckspackning | CYLINDER COVER ASSEMBLY | 20021-00072-00 | 1 |
| 4 | N/A | Cylinderpackning | CYLINDER HEAD GASKET | 33048-00495-00 | 1 |
| 5 | N/A | Vipparm, övre | UPPER ROCKER ARM | 34019-00053-00 | 2 |
| 6 | N/A | Vippaxel, övre | UPPER ROCKER SHAFT | 30134-00024-00 | 1 |
| 7 | N/A | Vevstång | VALVE PUSH ROD | 34020-00039-00 | 2 |
| 8 | N/A | Ventillås | VALVE SPRING BASE | 34016-00112-00 | 2 |
| 9 | N/A | Ventilfjäder | VALVE SPRING | 34015-00105-00 | 2 |
| 10 | N/A | Ventil | INLET VALVE OIL BAFFLE SHROUD | 34018-00016-00 | 1 |
| 11 | N/A | Avgasventil | EXHAUST VALVE | 34013-00122-00 | 1 |
| 12 | N/A | Insugningsventil | INLET VALVE | 34013-00121-00 | 1 |

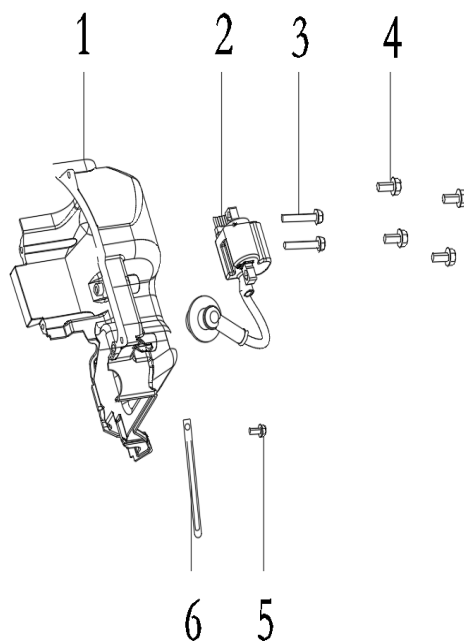
FIGUR E4



DELAR TILL FIGUR E4

| Pos | Art. | Varunamn | Item name | Spec. | OE |
|-----|---------|-----------------------------|---------------------------------|----------------|----|
| 1 | N/A | Flänsmutter | FLANGE HEX HEAD NUT | 30125-00002-00 | 2 |
| 2 | N/A | Luftfilterhus, komplett | AIR CLEANER ASSEMBLY | 20025-00223-00 | 1 |
| 2-1 | N/A | Låsbult för luftfilterhus | AIR CLEANER LOCKING BOLT | 70010-03750-00 | 1 |
| 2-2 | N/A | Lucka för luftfilter, fram | AIR CLEANER COVER ASSEMBLY | 70010-03749-00 | 1 |
| 2-3 | 9075535 | Luftfilter | FOAM CLEANER ELEMENT | 34037-00348-00 | 1 |
| 2-4 | N/A | Lucka för luftfilter, bak | AIRCLEANER BASE | 70010-03748-00 | 1 |
| 3 | 9075536 | Packning vid luftfilter | AIR CLEANER GASKET | 33048-00499-00 | 1 |
| 4 | N/A | Förgasare, komplett | CARBURETOR ASSEMBLY | 20024-00470-01 | 1 |
| 5 | N/A | Fläktskydd, luftinsugssida | INLET HEAD FAN COVER | 34021-00270-00 | 1 |
| 6 | 9075537 | Packning, vid förgasare | AIR INLET GASKET | 33048-00496-00 | 1 |
| 7 | N/A | Stödbult vid luftintag | AIR INLET DOUBLE-END STUD BOLTS | 30110-00113-00 | 2 |
| 8 | N/A | Metallklämma | METAL CLAMP | 34024-00004-00 | 1 |
| 9 | N/A | Flänsbult | FLANGE HEX HEAD BOLT | 30101-00066-00 | 1 |
| 10 | N/A | Plåt | CARBURETOR CONNECTING BLOCK | 34012-00051-00 | 1 |
| 11 | N/A | Packning förgasare/cylinder | CARBURETOR GASKET | 33048-00497-00 | 1 |

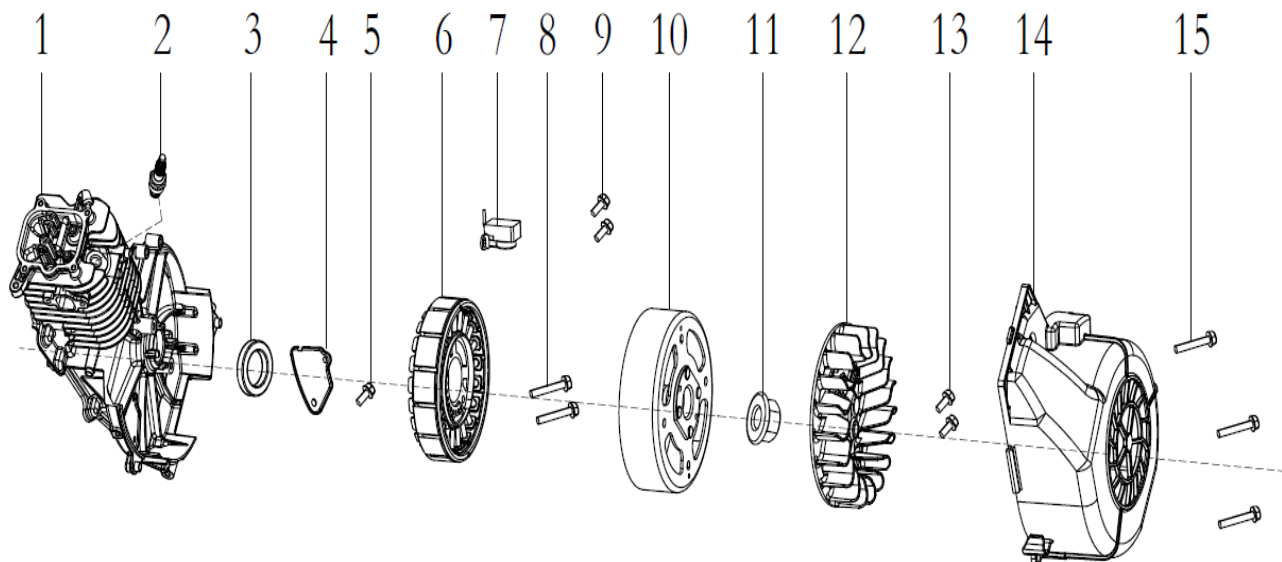
FIGUR E5



DELAR TILL FIGUR E5

| Pos | Art. | Varunamn | Item name | Spec. | OE |
|-----|---------|-----------------------------|---|----------------|----|
| 1 | N/A | Fläktskydd, luftutloppssida | <i>EXHAUST FAN COVER</i> | 34021-00273-00 | 1 |
| 2 | 9075538 | Tändspole | <i>IGNITION COIL</i> | 31013-00140-00 | 1 |
| 3 | N/A | Flänsbult | <i>FLANGE HEX HEAD BOLT</i> | 30101-00342-00 | 2 |
| 4 | N/A | Skruv | <i>CROSS RECESSED PAN HEAD TAPPING SCREWS</i> | 30117-00001-00 | 4 |
| 5 | N/A | Flänsbult | <i>FLANGE HEX HEAD BOLT</i> | 30101-00066-00 | 1 |
| 6 | N/A | Metallklämma | <i>METAL CLAMP</i> | 34024-00004-00 | 1 |

FIGUR E6



DELAR TILL FIGUR E6

| Pos | Art. | Varunamn | Item name | Spec. | OE |
|-----|---------|--------------------|----------------------|----------------|----|
| 1 | N/A | Vevhus | CRANKCASE BODY | 34011-00174-00 | 1 |
| 2 | N/A | Tändstift | SPARK PLUG | 20027-00023-00 | 1 |
| 3 | N/A | Packning | OIL SEAL | 34007-00115-00 | 1 |
| 4 | N/A | Åtdragningsbricka | TENSION DISC | 33593-00421-00 | 1 |
| 5 | N/A | Flänsbult | FLANGE HEX HEAD BOLT | 30101-00066-00 | 1 |
| 6 | N/A | Stator | ALTERNATOR STATOR | 20005-00284-00 | 1 |
| 7 | 9075539 | Spänningsregulator | TRIGGER | 20028-00137-00 | 1 |
| 8 | N/A | Flänsbult | FLANGE HEX HEAD BOLT | 30101-00530-00 | 2 |
| 9 | N/A | Flänsbult | FLANGE HEX HEAD BOLT | 30101-00070-00 | 2 |
| 10 | N/A | Rotor | ALTERNATOR ROTOR | 20006-00167-00 | 1 |
| 11 | N/A | Flänsmutter | FLANGE HEX HEAD NUT | 30125-00009-00 | 1 |
| 12 | N/A | Fläktblad | IMPELLER | 33099-00228-00 | 1 |
| 13 | N/A | Flänsbult | FLANGE HEX HEAD BOLT | 30101-00070-00 | 2 |
| 14 | N/A | Fläktskydd | FAN COVER | 34021-00272-00 | 1 |
| 15 | N/A | Flänsbult | FLANGE HEX HEAD BOLT | 30101-00068-00 | 3 |

Vi förbehåller oss rätten att ändra de tekniska parametrarna och specifikationerna för denna produkt utan föregående meddelande.