



HRM220

HYDRAULISK DREVET ARM
OG KLIPPE ENHEDER

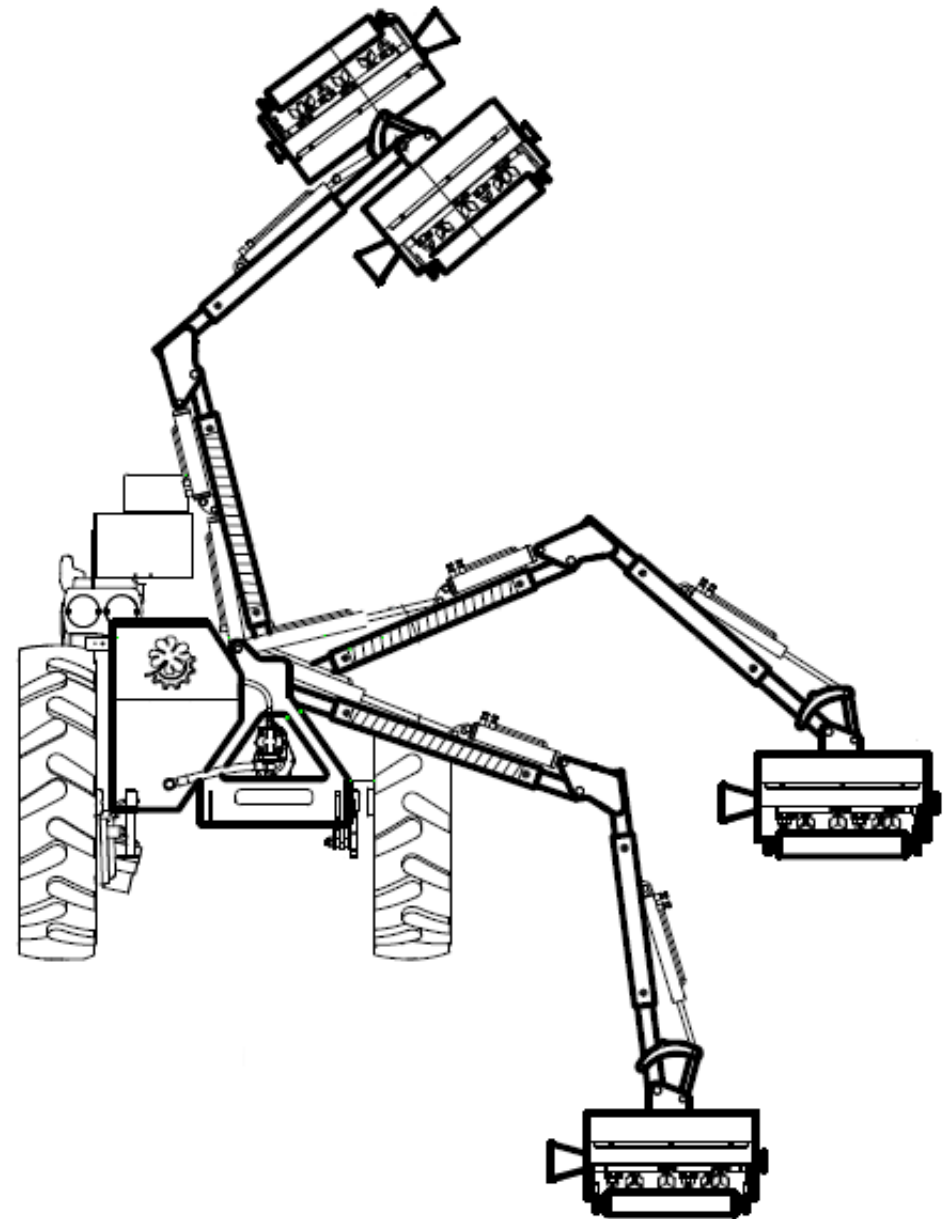
Reservedelskatalog til

Hydraulisk drevet arm HRM220 – 9062926

Slaglehoved C100 – 9062930

Savhoved S340 – 9062936

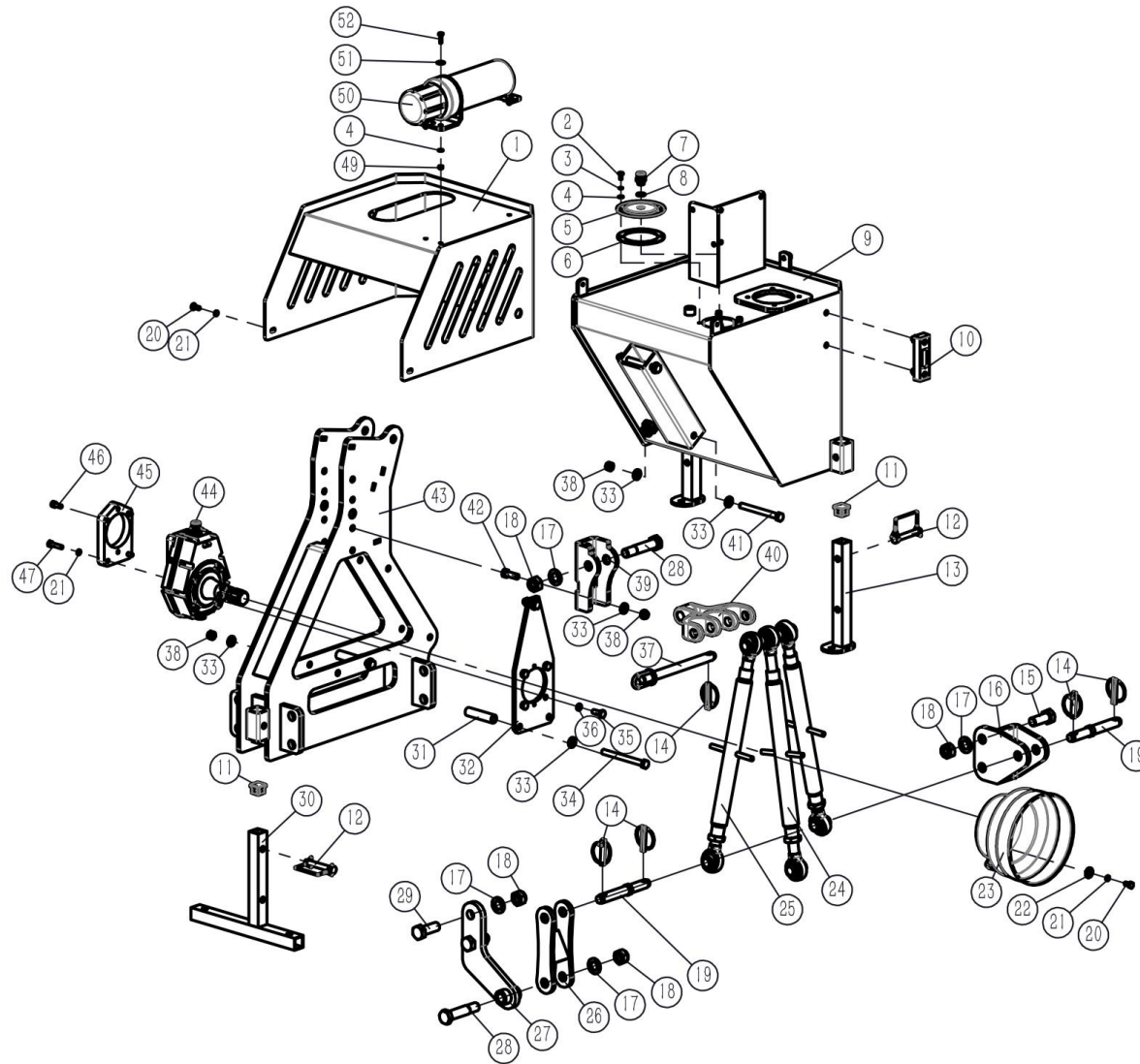
Fingerklipper T175 – 9062935



23.04.2021 (V1)

revisionsdato: 16.04.2026 (V4)

FIG 1 – HOVEDDRAMME, 9062926



Kontakt
Tlf Salgsafdeling: 7021 2626
Tlf Teknisk support: 7696 2326

P. Lindberg A/S
Sdr. Ringvej 1
DK - 6600 Vejen

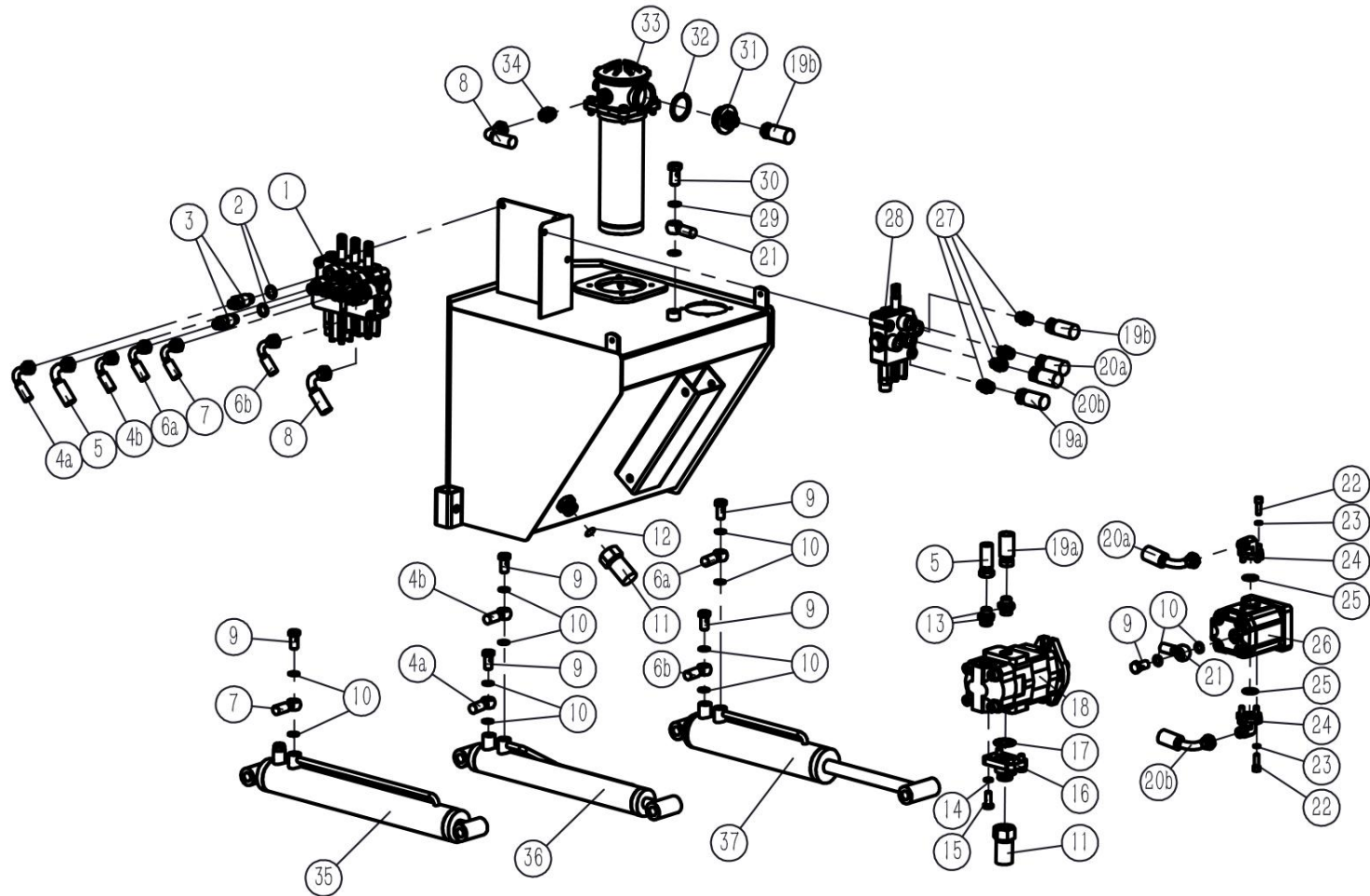
RES 9062926 DK V4
www.p-lindberg.dk
e-mail: salg@p-lindberg.dk

DELE TIL HOVEDDRAMME, 9062926

| Pos | Varenr / item no. | Varenavn | Item name | OE | Antal / quantity |
|-----|-------------------|--------------------------------|--------------------------|---------------|------------------|
| 1 | N/A | Ydre kasse f/hydraulikolietank | Oil tank shell | HRM220-0013 | 1 |
| 2 | N/A | Bolt, M6x12 | Bolt, M6x12 | GB5783-86 | 4 |
| 3 | 9042417 | Fjederskive, 6 mm | Spring washer 6 | GB93-87 | 4 |
| 4 | 9050201 | Skive, 6 mm | Washer 6 | GB97.1-85 | 7 |
| 5 | N/A | Cover f/hydrauliktank | Oil tank cover | BHM225-0121 | 1 |
| 6 | N/A | Gummipakning | Rubber gasket | BHM225-0120 | 1 |
| 7 | N/A | Udluftningsskrue | Air plug G $\frac{3}{8}$ | WG-0003 | 1 |
| 8 | N/A | Låseskive | Bonded washer 14 | JB/T 982-1977 | 1 |
| 9 | N/A | Hydraulikolietank | Oil tank | HRM220-0012 | 1 |
| 10 | N/A | Skueglas f/olieniveau B80 | Oil leveler B80 | JB7941.3-1995 | 1 |
| 11 | N/A | Prop | Plug | HRM220-0101 | 3 |
| 12 | 9038529 | D-sjækel, 12x70 | D-square cotter 12x70 | WG-0006 | 3 |
| 13 | N/A | Støtteben | Supporting leg | HRM220-0011 | 2 |
| 14 | 9020543 | Låsepin Φ 12 | Lock pin Φ 12 | TY-SXZJ-12 | 5 |
| 15 | 9050254 | Bolt, M20x50 | Bolt, M20x50 | GB5783-86 | 1 |
| 16 | N/A | | Pedestal low linkage pin | HRM220-0018 | 1 |
| 17 | N/A | Skive, 20 mm | Washer 20 | GB97.1-85 | 5 |
| 18 | N/A | Møtrik, M20 | Nut M20 | DIN985-87 | 5 |
| 19 | N/A | Lifftap | Lower link pin | HRM220-0107 | 2 |
| 20 | N/A | Bolt, M8x16 | Bolt, M8x16 | GB5783-86 | 5 |
| 21 | 9042417 | Fjederskive, 8 mm | Spring washer 8 | GB93-87 | 7 |
| 22 | 9050202 | Skive, 8 mm | Washer 8 | GB96.2-2002 | 2 |
| 23 | 9045100 | PTO beskyttelsescover | PTO protection cover | FM120.00.401 | 1 |
| 24 | N/A | Sammenkobling, øverste | Upper link assembly | HRM220-0022-1 | 1 |
| 25 | N/A | Sammenkobling, nederste | Lower link assembly | HRM220-0022 | 1 |
| 26 | N/A | Løfteøje | Lifting eye | HRM220-0020 | 1 |
| 27 | N/A | Forbindelsesarm | Connecting arm | HRM220-0019 | 1 |
| 28 | N/A | Bolt, M20x100 | Bolt, M20x100 | GB27-88 | 2 |
| 29 | N/A | Bolt, M20x55 | Bolt, M20x55 | GB5783-86 | 2 |
| 30 | N/A | Støtteben | Supporting ler 2 | HRM220-0017 | 1 |

| Pos | Varenr / item no. | Varenavn | Item name | OE | Antal / quantity |
|------|-------------------|----------------------------------|----------------------|-------------|------------------|
| 31 | N/A | Bøsning | Sleeve | HRM220-0102 | 2 |
| 32 | N/A | Monteringsplade f/gearkasse | Gearbox fixing plate | HRM220-0103 | 1 |
| 33 | 9050204 | Skive, 12 mm | Washer 12 | GB97.1-85 | 12 |
| 34 | N/A | Bolt, M12x130 | Bolt, M12x130 | GB5782-86 | 2 |
| 35 | N/A | Bolt, M10x25 | Bolt, M10x25 | GB5783-86 | 4 |
| 36 | 9042417 | Fjederskive, 10 mm | Spring washer 10 | GB93-87 | 4 |
| 37 | N/A | Topstangsbolt | Upper link pin shaft | HRM220-0021 | 1 |
| 38 | 9050209 | Møtrik, M12 | Nut M12 | DIN985-87 | 8 |
| 39 | N/A | Topstangsfæste | Upper hitching frame | HRM220-0108 | 1 |
| 40 | 9067687 | Topstangsadapter | Rod yoke | HRM220-0109 | 1 |
| 41 | N/A | Bolt, M12x120 | Bolt, M12x120 | GB5782-86 | 2 |
| 42 | N/A | Bolt, M12x35 | Bolt, M12x35 | GB5783-86 | 4 |
| 43 | N/A | Ramme | Rack | HRM220-0015 | 1 |
| 44 | 9066165 | Gearkasse f/oliepumpe | Oil pump gearbox | HRM220-0016 | 1 |
| 44.1 | 9067389 | Pakdåse, 34x50x7 | Seal, 34x50x7 | | 1 |
| 44.2 | 9067390 | Pakdåse, 50x65x8 | Seal, 50x65x8 | | 1 |
| 44.3 | 9066838 | Leje, 6010 | Bearing, 6010 | | 2 |
| 44.4 | 9038555 | Leje, 6007 | Bearing, 6007 | | 2 |
| 45 | N/A | | Transition flange | HRM220-0104 | 1 |
| 46 | 9050231 | Skrue, M8x20 | Screw M8x20 | GB70.1-2000 | 2 |
| 47 | N/A | Bolt, M8x35 | Bolt, M8x35 | GB5783-86 | 2 |
| 48 | 9050202 | Skive, 8 mm | Washer 8 | GB97.1-85 | 3 |
| 49 | 9050206 | Møtrik, M6 | Nut M6 | DIN985-87 | 3 |
| 50 | N/A | Opbevaringsboks t/brugsanvisning | Manual box | WG-0004 | 1 |
| 51 | 9050201 | Skive, 6 mm | Washer 6 | GB96.2-2002 | 3 |
| 52 | 9050221 | Bolt, M6x20 | Bolt, M6x20 | GB5783-86 | 3 |

FIG 2 – HYDRAULISK SYSTEM, 9062926



Kontakt
 Tlf Salgsafdeling: 7021 2626
 Tlf Teknisk support: 7696 2326

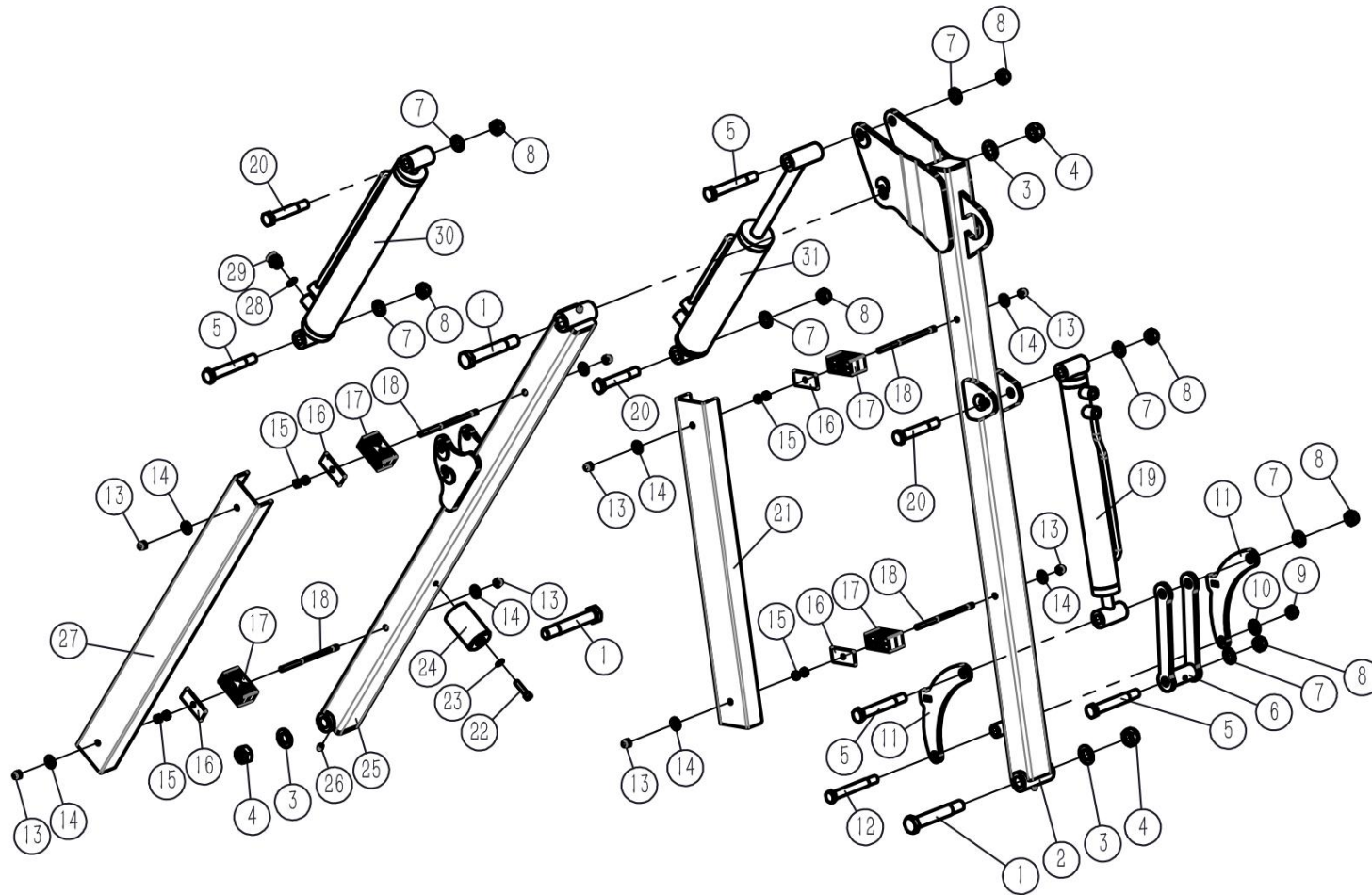
P. Lindberg A/S
 Sdr. Ringvej 1
 DK - 6600 Vejen

RES 9062926 DK V4
 www.p-lindberg.dk
 e-mail: salg@p-lindberg.dk

| Pos | Varenr / item no | Varenavn | Item name | OE | Antal / quantity |
|-----|------------------|---------------------------------------|--|---------------------|------------------|
| 1 | N/A | 3-vejs ventil | Triple valve | HRM220-0042 | 1 |
| 2 | N/A | Låseskive | Bonded washer 17 | JB/T 982-1977 | 4 |
| 3 | N/A | Forlængerled | Lengthening joint | BHM225-0153 | 2 |
| 4 | N/A | Slange til svingarm | Swing arm cylinder tube | HRM220-0058 | 1 |
| 5 | N/A | Slange, fra oliepumpe > 3-vejs ventil | Tube (oil pump to triple valve) | HRM220-0055 | 1 |
| 6 | N/A | Slange (sekundær cylinderarm) | Tube (small arm cylinder) | HRM220-0057 | 1 |
| 7 | N/A | Slange (hovedcylinderarm) | Tube (big arm cylinder) | HRM220-0056 | 1 |
| 8 | N/A | Slange, 3-vejs ventil > filter | Tube (triple valve to filter) | HRM220-0059 | 1 |
| 9 | 9069318 | Banjobolt, M14x1.5 | Link bolt, M14x1.5 | GB3541-83 M14x1,5 | 6 |
| 10 | 9069319 | Dowtyskive, 14 mm | Bonded washer 14 | JB/T 982-1977 14 mm | 12 |
| 11 | N/A | Slange, tank > pumpe | Tube (oil tank to pump) | HRM220-0051 | 1 |
| 12 | 9029714 | O-ring 14x2.65 | O-ring 14x2.65 | GB3452.1-82 | 1 |
| 13 | N/A | Slangekobling | Tube connector | 1CG-18-08 | 2 |
| 14 | 9042417 | Fjederskive | Spring washer 10 | GB93-87 | 4 |
| 15 | N/A | Bolt, M10x1,25x1 | Bolt M10x1.25x2 | GB5786-86 | 4 |
| 16 | N/A | Olieventil indgang | Fuel inlet connector | HRM220-0105 | 1 |
| 17 | N/A | O-ring 33.5x3.55 | O-ring 33.5x3.55 | GB3452.1-82 | 1 |
| 18 | N/A | Transmissionspumpe | Gear pump | CBHY-G25/F4.5-ATP | 1 |
| 19 | N/A | Slange, transmissionspumpe > ventil | Tube (gear pump to single valve) | HRM220-0052 | 2 |
| 20 | N/A | Slange, ventil > hydraulikmotor | Tube (single valve to hydraulic motor) | HRM220-0053 | 2 |
| 21 | N/A | Slange, hydraulikmotor > tank | Tube (hydraulic motor to oil tank) | HRM220-0054 | 1 |
| 22 | N/A | Skrue, M8x25 | Screw M8x25 | GB70.1-2000 | 6 |
| 23 | N/A | Fjederskive | Spring washer 8 | GB93-87 | 6 |
| 24 | 9064776 | Hydraulik bøjning Frem/retur | Oil in-out connector | C60-0102 | 2 |
| 25 | N/A | O-ring 23.6x2.65 | O-ring 23.6x2.65 | GB3452.1-82 | 2 |
| 26 | N/A | Hydraulikmotor | Hydraulic motor | HPLMA220BMLE5E5B00 | 1 |
| 27 | N/A | Forbindelsesstykke | Tube connector | 1CB-18-06WD | 6 |
| 28 | N/A | Ventil | Single valve | HRM220-0041 | 1 |
| 29 | N/A | Låseskive | Bonded washer 16 | JB/T 982-1977 | 2 |
| 30 | N/A | Bolt, M16x1,5 | Link bolt M16x1.5 | GB3541-83 | 1 |

| Pos | Varenr / item no. | Varenavn | Item name | OE | Antal / quantity |
|-----|-------------------|------------------------|----------------------|---------------|------------------|
| 31 | N/A | Filterhus, komplet | Oil filter connector | HRM220-0116 | 1 |
| 32 | N/A | Låseskive | Bonded washer 42 | JB/T 982-1977 | 1 |
| 33 | 9063620 | Oliefilter, returløb | Return oil filter | RFA-100x30L | 1 |
| 34 | N/A | Slangekobling | Tube connector | 1CM-18WD | 1 |
| 35 | 9063621 | Cylinder, hovedarm | Big arm cylinder | HRM220-0031 | 1 |
| 36 | 9063622 | Krøjecylinder | Swing arm cylinder | HRM220-0033 | 1 |
| 37 | 9063623 | Cylinder, sekundær arm | Small arm cylinder | HRM220-0032 | 1 |

FIG 3 – ARM, 9062926



DELE TIL ARM, 9062629

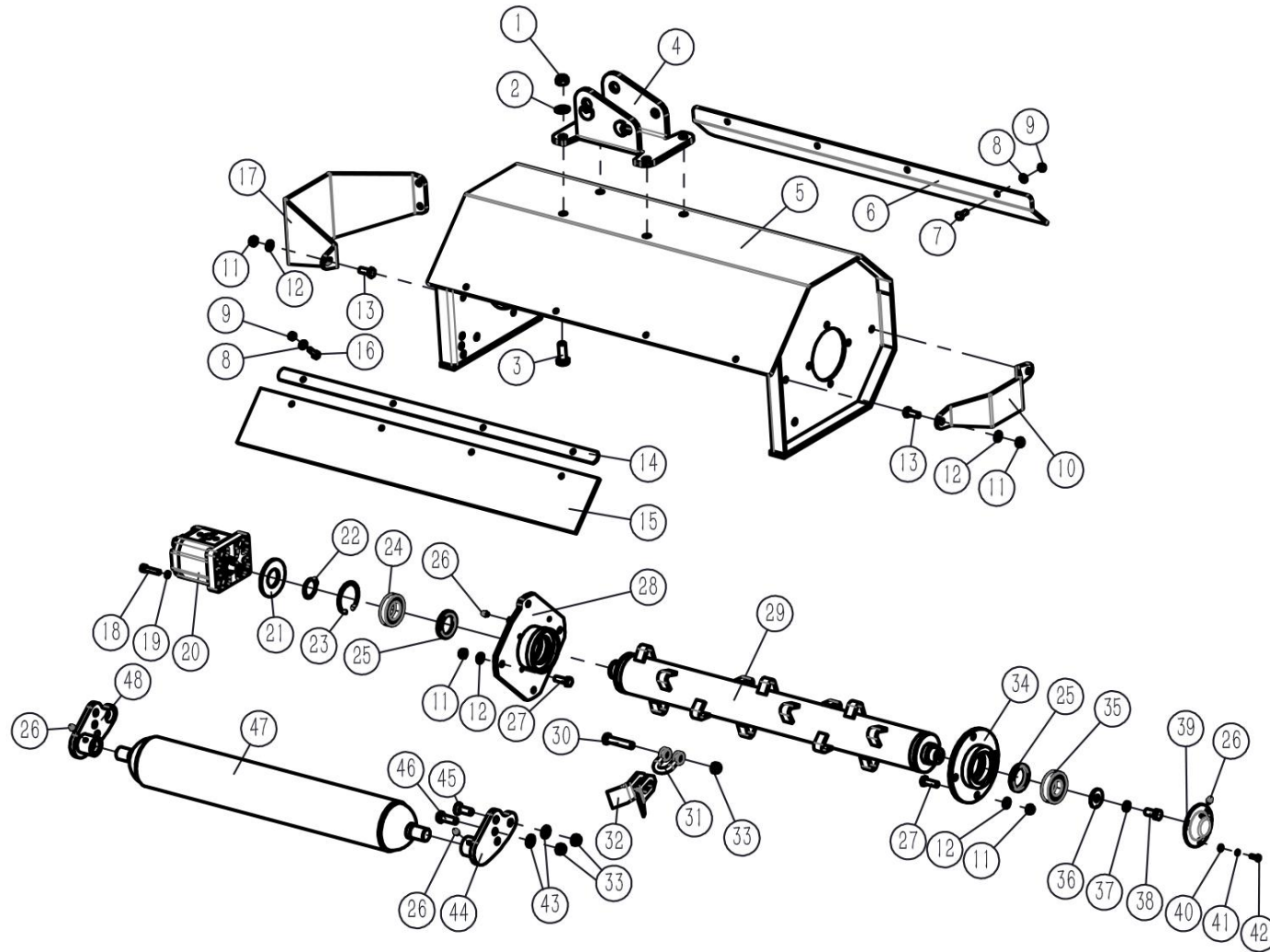
| Pos | Varenr / item no. | Varenavn | Item name | OE | Antal / quantity |
|-----|-------------------|---|------------------------------|-----------------|------------------|
| 1 | N/A | Bolt, M20x130 | Bolt M20x130 | GB27-88 | 3 |
| 2 | N/A | Sekundær arm | Small arm | HRM220-0024 | 1 |
| 3 | N/A | Skive, 20 mm | Washer 20 | GB97.1-85 | 3 |
| 4 | N/A | Møtrik, M20 | Nut M20 | DIN985-87 | 3 |
| 5 | N/A | Bolt, M60x120 | Bolt M60x120 | GB27-88 | 4 |
| 6 | N/A | Forbindelsesled, cylinder | Push-pull rod | HRM220-0025 | 1 |
| 7 | 9050205 | Skive, 16 mm | Washer 16 | GB97.1-85 | 7 |
| 8 | 9050210 | Møtrik, M16 | Nut M16 | DIN985-87 | 7 |
| 9 | N/A | Møtrik, M14 | Nut M14 | DIN985-87 | 1 |
| 10 | N/A | Skive, 14 mm | Washer 14 | GB97.1-85 | 1 |
| 11 | N/A | Svingarm | Swing arm | HRM220-0114 | 2 |
| 12 | N/A | Bolt, M14x120 | Bolt M14x120 | GB27-88 | 1 |
| 13 | N/A | Låsemøtrik, M8 | Cap nut M8 | GB923-1988 | 8 |
| 14 | 9050202 | Skive, 8 mm | Washer 8 | GB96.2-2002 | 8 |
| 15 | 9050207 | Møtrik, M8 | Nut M8 | GB6170-86 | 8 |
| 16 | N/A | Låseplade slanger | Pressing plate | QHTT-G3 | 4 |
| 17 | N/A | Slangeholder | Double pipe clamp | QHHTPG-325 | 4 |
| 18 | N/A | Skrue | Screw | HRM220-0111 | 4 |
| 19 | 9063622 | Svingarmscylinder | Swing arm cylinder | HRM220-0033 | 1 |
| - | 9071362 | Pakningssæt t/svingarmscylinder, pos 19 | | | 1 |
| 20 | 9050265 | Bolt, M16x100 | Bolt M16x100 | GB27-88 | 3 |
| 21 | N/A | Cover f/olieslange til sekundær arm | Oil hose cover for small arm | HRM220-0113 | 1 |
| 22 | N/A | Skrue, M8x35 | Screw M8x35 | GB70.1-2000 | 1 |
| 23 | 9050202 | Skive, 8 mm | Washer 8 | GB97.1-85 | 1 |
| 24 | N/A | Gummidæmper | Shock Rubber Stop | HRM220-0110 | 1 |
| 25 | N/A | Hovedarm | Big arm | HRM220-0023 | 1 |
| 26 | 9044979 | Smørenippel, M6 | Grease cup M6 | GB1152-89 | 4 |
| 27 | N/A | Cover f/olieslange til hovedarm | Oil hose cover for big arm | HRM220-0112 | 1 |
| 28 | N/A | Låseskive | Bonded washer 14 | JB / T 982-1977 | 1 |
| 29 | N/A | Udluftningsskrue | Air plug G $\frac{3}{8}$ | WG-0003 | 1 |

| Pos | Varenr / item no. | Varenavn | Item name | OE | Antal / quantity |
|-----|-------------------|---|--------------------|-------------|------------------|
| 30 | 9063621 | Hovedarmscyliner | Big arm cylinder | HRM220-0031 | 1 |
| - | 9071361 | Pakningssæt t/hovedarmscyliner, pos 30 | | | 1 |
| 31 | N/A | Sekundær arm cylinder | Small arm cylinder | HRM220-0032 | 1 |
| - | 9071311 | Pakningssæt t/sekundær arm cylinder, pos 31 | | | 1 |

Ej illustreret

| Pos | Varenr / item no. | Varenavn | Item name | OE | Antal / quantity |
|-----|-------------------|--|---------------------------|-------------|------------------|
| - | 9073930 | Rør for BP-ventil, fra år 2023 og frem | Tube for BP-valve, 2023 > | HDTT-HRM-BP | 1 |
| - | 9073931 | Rør for BP-ventil, op til år 2022 | Tube for BP-valve, > 2022 | HDTT-HRM | 1 |

FIG 4 – SLAGLEHOVED C100, 9062930

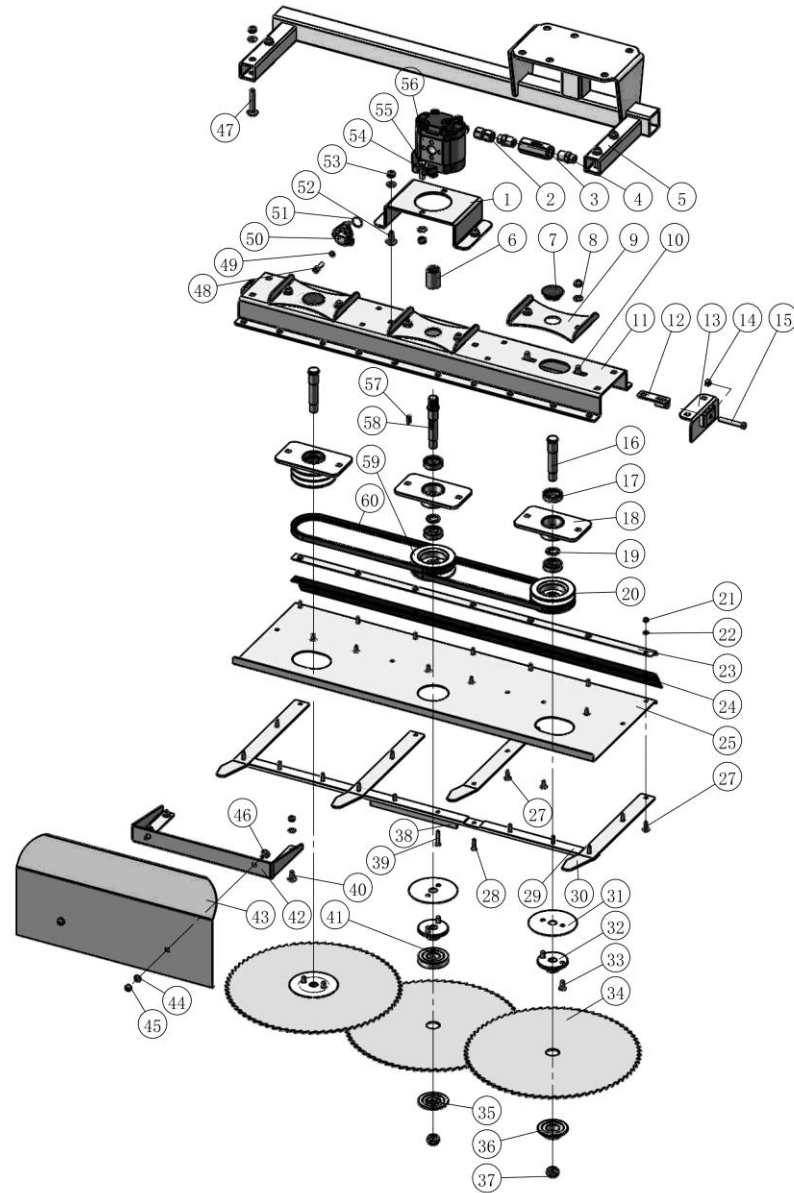


DELE TIL SLAGLEHOVED C100, 9062930

| Pos | Varenr / item no. | Varenavn | Item name | OE | Antal / quantity |
|------|-------------------|---------------------------|----------------------------|--------------------|------------------|
| 1 | N/A | Møtrik, M14 | Nut M14 | DIN985-87 | 4 |
| 2 | N/A | Skive, 14 mm | Washer 14 | GB97.1-85 | 4 |
| 3 | N/A | Bolt, M14x35 | Bolt M14x35 | GB5783-86 | 4 |
| 4 | N/A | | Hitch frame | C60-0010 | 1 |
| 5 | N/A | Hjelm | Hood | C80-0011 | 1 |
| 6 | N/A | Beskyttelsesplade, front | Front protection plate | C80-0109 | 1 |
| 7 | 9050231 | Bolt, M8x20 | Bolt M8x20 | GB5783-86 | 4 |
| 8 | 9050202 | Skive, 8 mm | Washer 8 | GB97.1-85 | 8 |
| 9 | 9050207 | Møtrik, M8 | Nut M8 | DIN985-87 | 8 |
| 10 | N/A | Beskyttelses plade | Shaft end protection plate | C60-0108 | 1 |
| 11 | 9050208 | Møtrik, M10 | Nut M10 | DIN985-87 | 13 |
| 12 | 9050203 | Skive, 10 mm | Washer10 | GB97.1-85 | 13 |
| 13 | N/A | Bolt, M10x25 | Bolt M10x25 | GB5783-86 | 5 |
| 14 | N/A | Monteringskinne | Mound layer | C80-0111 | 1 |
| 15 | N/A | Beskyttelsesplade, gummi | Rubber protection plate | C80-0110 | 1 |
| 16 | N/A | Bolt, M8x25 | Bolt M8x25 | GB5783-86 | 4 |
| 17 | N/A | Beskyttelsesplade f/motor | Motor protection plate | C60-0101 | 1 |
| 18 | N/A | Skrue, M8x35 | Screw M8x35 | GB70.1-2000 | 4 |
| 19 | 9042417 | Fjederskive | Spring 8 | GB93-87 | 4 |
| 20 | 9063522 | Hydraulikmotor | Hydraulic motor | HPLMA220BMLE5E5B00 | 1 |
| 20.1 | 9063805 | Tandhjul til hydraulik | Sprocket | | 1 |
| 20.2 | 9067868 | Pakdåse, 18x30x6/6,5 | Oil seal, 18x30x6/6,5 | | 1 |
| 21 | N/A | | Motor positioning plate | C60-0103 | 1 |
| 22 | N/A | Låsering 35 | Circlip 35 | GB894.1-86 | 1 |
| 23 | 9055515 | Låsering 62 | Circlip 62 | GB893.1-86 | 1 |
| 24 | 9038555 | Leje, 6007 | Bearing 6007 | GB276-94 | 1 |
| 25 | N/A | Pakdåse | Oil seal FB | GB9877.1-88 | 2 |
| 26 | 9044979 | Smørenippel | Grease cup M6 | GB1152-89 | 4 |
| 27 | 9050241 | Bolt, M10x30 | Bolt M10x30 | GB5783-86 | 8 |
| 28 | N/A | Lejehus | Main bearing seat | C60-0012 | 1 |

| Pos | Varenr / item no. | Varenavn | Item name | OE | Antal / quantity |
|-----|-------------------|-------------------------|---------------------|-------------|------------------|
| 29 | 9063532 | Hovedaksel uden slagler | Blade shaft | C80-0013 | 1 |
| 30 | 9050261 | Bolt, M12x60 | Bolt M12x60 | GB5782-86 | 16 |
| 31 | 9063524 | Afstandsring f/ kniv | Ring for blade | C60-0105 | 16 |
| 32 | 9063523 | Slagle / kniv | Blade | C60-0106 | 32 |
| 33 | 9050209 | Møtrik, M12 | Nut M12 | DIN985-87 | 20 |
| 34 | N/A | Lejehus | Second bearing seat | C60-0014 | 1 |
| 35 | 9063584 | Leje, 1206 | Bearing 1206 | GB281-94 | 1 |
| 36 | 9050204 | Skive, 12 mm | Washer12 | GB96.2-2002 | 1 |
| 37 | 9042417 | Fjederskive | Spring washer 12 | GB93-87 | 1 |
| 38 | N/A | Bolt, M12x25 | Bolt M12x25 | GB5783-86 | 1 |
| 39 | N/A | Lukkedæksel | End cover | C60-0107 | 1 |
| 40 | 9050201 | Skive, 6 mm | Washer 6 | GB97.1-85 | 3 |
| 41 | 9042417 | Fjederskive | Spring washer 6 | GB93-87 | 3 |
| 42 | N/A | Bolt, M6x16 | Bolt M6x16 | GB5783-86 | 3 |
| 43 | 9050204 | Skive | Washer 12 | GB97.1-85 | 4 |
| 44 | 9063582 | Bagrulleholder, højre | Roller shaft seat 1 | C60-0015 | 1 |
| 45 | N/A | Skrue, M12x35 | Screw M12x35 | GB70.3-2000 | 2 |
| 46 | N/A | Bolt, M12x35 | Bolt M12x35 | GB5783-86 | 2 |
| 47 | 9063581 | Bagrulle | Roller (C80) | EFG120.012 | 1 |
| 48 | 9063583 | Bagrulleholder, venstre | Roller shaft seat 2 | C60-0017 | 1 |

FIG 5 – SAVHOVED S340, 9062936



Kontakt
Tlf Salgsafdeling: 7021 2626
Tlf Teknisk support: 7696 2326

P. Lindberg A/S
Sdr. Ringvej 1
DK – 6600 Vejen

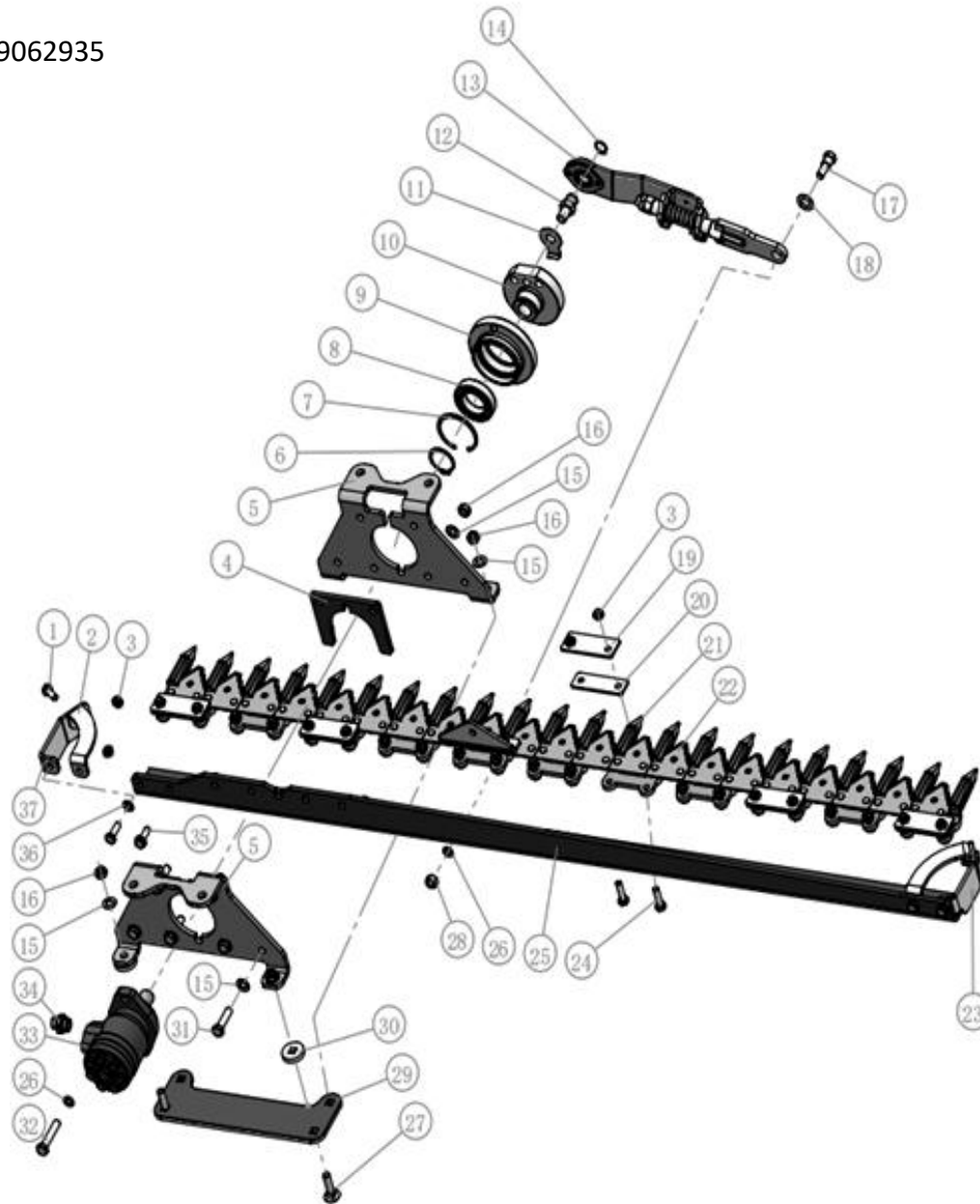
RES 9062926 DK V4
www.p-lindberg.dk
e-mail: salg@p-lindberg.dk

DELE TIL SAVHOVED S340, 9062936

| Pos | Varenr / item no. | Varenavn | Item name | OE | Antal / quantity |
|-----|-------------------|------------------|---------------------|-------------|------------------|
| 1 | N/A | Ramme | Motor frame | S340-0104 | 1 |
| 2 | N/A | Slangekobling | Hose connector | 3C-18W | 1 |
| 3 | N/A | Ventil | Single valve | CIT-04 | 1 |
| 4 | N/A | Slangekobling | Hose connector | 1CT-18-08 | 2 |
| 5 | N/A | Ramme | Articulated frame | S340-0106 | 1 |
| 6 | N/A | | Spline housing | S340-0106 | 1 |
| 7 | N/A | Gummicover | Rubber cover 35 | BHM225-0105 | 2 |
| 8 | 9050203 | Skive, 10 mm | Washer 10 | GB97.1-85 | 14 |
| 9 | N/A | Plade | Base plate | S340-0105 | 3 |
| 10 | 9050241 | Bolt, M10x30 | Bolt M10x30 | GB794-93 | 6 |
| 11 | N/A | Remskærm | Belt wheel cover | S3400-0101 | 1 |
| 12 | N/A | | Tensioning lug | S340-0013 | 2 |
| 13 | N/A | | Braced welded parts | S340-0014 | 2 |
| 14 | 9050207 | Møtrik, M8 | Nut M8 | GB6170-86 | 2 |
| 15 | 9050235 | Bolt, M8x60 | Bolt M8x60 | GB5783-86 | 2 |
| 16 | N/A | Drivaksel | Driven shaft | S340-0114 | 2 |
| 17 | 9063477 | Leje, 6004-Z | Bearing 6004-Z | GB276-94 | 6 |
| 18 | N/A | Lejehus | Bearing seat | S340-0012 | 3 |
| 19 | N/A | Afstandstykke | Spacer | S340-0108 | 3 |
| 20 | N/A | Remskive | Driven belt wheel | S340-0115 | 2 |
| 21 | 9050206 | Møtrik, M6 | Nut M6 | DIN985-87 | 27 |
| 22 | 9050201 | Skive, 6 mm | Washer 6 | GB97.1-85 | 27 |
| 23 | N/A | Monteringsskinne | Mound layer | S340-0122 | 1 |
| 24 | N/A | Gummiskinne | Rubber fender | S340-0121 | 1 |
| 25 | N/A | Bundplade | Baseboard | S340-0117 | 1 |
| 26 | N/A | Bolt, M6x16 | Bolt M6x16 | GB794-93 | 6 |
| 27 | 9050221 | Bolt, M6x20 | Bolt M6x20 | GB794-93 | 11 |
| 28 | N/A | Bolt, M6x25 | Bolt M6x25 | GB70.3-2000 | 8 |
| 29 | N/A | | Nylon liner | S340-0119 | 1 |
| 30 | N/A | | Block between disc | S340-0118 | 4 |

| Pos | Varenr / item no. | Varenavn | Item name | OE | Antal / quantity |
|-----|-------------------|----------------------------------|------------------|---------------|------------------|
| 31 | 9063478 | Savklingeholder | Knife holder | S340-0110 | 3 |
| 32 | 9063479 | Savklingesæde/medbringer | Knife seat | S340-0111 | 3 |
| 33 | N/A | Skrue, M8x20 | Screw M8x20 | GB70.3-2000 | 6 |
| 34 | 9063482 | Savklinge Ø40 72 tænder | Saw blade | GB/T13573- | 3 |
| 35 | 9063480 | Støtteskive til midten | Knife seat plate | S340-0113 | 1 |
| 36 | 9063481 | Støtteskive til højre og venstre | Knife plantes | S340-0116 | 2 |
| 37 | 9050210 | Møtrik, M16 | Nut M16 | DIN985-87 | 3 |
| 38 | N/A | | Article nylon | S340-0120 | 1 |
| 39 | N/A | Skrue, M6x35 | Screw M6x35 | GB70.3-2000 | 2 |
| 40 | 9050231 | Bolt, M8x20 | Bolt M8x20 | GB794-93 | 4 |
| 41 | 9063518 | Mellemlæg til midten | Knife pressing | S340-0112 | 1 |
| 42 | N/A | Beslag | Damper bracket | S340-0102 | 1 |
| 43 | N/A | Beskyttelse, front | Front protection | S340-0103 | 1 |
| 44 | 9050202 | Skive, 8 mm | Washer 8 | GB97.1-85 | 6 |
| 45 | 9050207 | Møtrik, M8 | Nut M8 | DIN985-87 | 6 |
| 46 | N/A | Bolt, M8x16 | Bolt M8x16 | GB794-93 | 2 |
| 47 | 9050244 | Bolt, M10x60 | Bolt M10x60 | GB794-93 | 4 |
| 48 | N/A | Skrue, M8x25 | Screw M8x25 | GB70.3-2000 | 6 |
| 49 | 9042417 | Fjederskive | Spring washer 8 | GB93-87 | 6 |
| 50 | N/A | | Motor inlet and | C60-0102 | 2 |
| 51 | N/A | O-ring 21.2x1.8 | O-ring 21.2x1.8 | GB3452.1-82 | 2 |
| 52 | N/A | Bolt, M10x25 | Bolt M10x25 | GB794-93 | 2 |
| 53 | 9050208 | Møtrik, M10 | Nut M10 | DIN985-87 | 14 |
| 54 | 9050203 | Skive, 10 mm | Washer 10 | GB96.2-2002 | 2 |
| 55 | N/A | Bolt, M10x35 | Bolt M10x35 | GB5783-86 | 2 |
| 56 | 9063519 | Hydraulikmotor | Hydraulic motor | 2.5ABMF12F47J | 1 |
| 57 | N/A | Kile, 6x20 | Key 6X20 | GB1096-2003 | 1 |
| 58 | N/A | Drivaksel | Drive shaft | S340-0107 | 1 |
| 59 | N/A | Remskive | Drive belt wheel | S340-0109 | 1 |
| 60 | 9063521 | Rem, XPA907 | V-belt XPA907 | GB11544 | 2 |

FIG 6 – FINGERKLIPPER T175, 9062935



DELE TIL FINGERKLIPPER T175, 9062935

| Pos | Varenr / item no. | Varenavn | Item name | OE | Antal / quantity |
|-----|-------------------|---------------------------------|----------------------------|------------|------------------|
| 1 | N/A | Bolt, M10x25 | Bolt M10x25 | GB5783-86 | 2 |
| 2 | 9068372 | Forstærket plade | Reinforcing plate | T130-0103 | 2 |
| 3 | 9050208 | Møtrik, M10 | Nut M10 | | 28 |
| 4 | N/A | Afstandsstykke | Seperator | T130-0110 | 1 |
| 5 | N/A | Motor base | Motor plate | T130-0111 | 2 |
| 6 | N/A | Låsering 45 | Circlip 45 | GB894.1-86 | 1 |
| 7 | N/A | Låsering 75 | Circlip 75 | GB893.1-86 | 1 |
| 8 | N/A | Kugleleje 6009 | Bearing 6009 | GB276-94 | 1 |
| 9 | N/A | Lejehus | Bearing seat | T130-0118 | 1 |
| 10 | 9074703 | Svinghjul | Flywheel | T130-0112 | 1 |
| 11 | N/A | Låseskive | Locking washer | T130-0114 | 1 |
| 12 | N/A | | Connecting rod shafts | T130-0113 | 1 |
| 13 | 9063475 | Komplet knivtræk | Connecting rod combination | T130-0013 | 1 |
| 14 | N/A | Låsering 20 | Ring 20 | GB894.1-86 | 1 |
| 15 | 9050204 | Planskive, 12 mm | Washer 12 | | 16 |
| 16 | 9050209 | Møtrik, M12 | Nut M12 | | 10 |
| 17 | 9073679 | Bolt ved knivtræk | Hinge pin | T130-0109 | 1 |
| 18 | 9050205 | Planskive, 16 mm | Washer 16 | | 1 |
| 19 | N/A | Trykplade | Press plate | T130-0105 | 5 |
| 20 | N/A | Bundplade | Base plate | T130-0104 | 5 |
| 21 | 9063455 | Dobbeltfinger | Knife guard | T130-0101 | 11 |
| 22 | 9063474 | Knivsæt | Knife set | T175-0011 | 1 |
| 23 | 9068370 | Beskyttelsesplade, højre | Protection plate (R) | T130-0108 | 1 |
| 24 | N/A | Bolt, M10x35 | Bolt M10x35 | GB5783-86 | 10 |
| 25 | 9066431 | Fingerholder konsol til knivsæt | Knife guard fixing plate | T160-0106 | 1 |
| 26 | N/A | Fjederskive, 12 mm | Spring washer 12 | GB93-87 | 3 |
| 27 | N/A | Bolt, M12x45 | Bolt M12x45 | GB794-93 | 4 |
| 28 | 9050209 | Møtrik, M12 | Nut M12 | | 1 |
| 29 | N/A | Forbindelsesplade / beslag | Connection plate | T130-0116 | 1 |

| Pos | Varenr / item no. | Varenavn | Item name | OE | Antal / quantity |
|-----|-------------------|----------------------------|----------------------|-------------|------------------|
| 30 | N/A | Skive med firkantet hul | Square hole washer | T130-0117 | 2 |
| 31 | N/A | Bolt, M12x45 | Bolt M12x45 | GB5783-86 | 6 |
| 32 | 9050253 | Bolt, M12x60 | Bolt M12x60 | | 2 |
| 33 | 9063476 | Hydraulikmotor | Hydraulic motor | BMP50-2-A-D | 1 |
| 34 | N/A | Olieslangekobling | Oil pipe connector | 1CG-18-08 | 2 |
| 35 | 9050241 | Bolt, M10x30 | Bolt M10x30 | | 16 |
| 36 | 9050203 | Planskive, 10 mm | Washer 10 | | 16 |
| 37 | 9068371 | Beskyttelsesplade, venstre | Protection plate (L) | T130-0102 | 1 |

Vi forbeholder os ret til uden foregående varsel at ændre de tekniske parametre og specifikationer for dette produkt

Kontakt
Tlf Salgsafdeling: 7021 2626
Tlf Teknisk support: 7696 2326

P. Lindberg A/S
Sdr. Ringvej 1
DK - 6600 Vejen

RES 9062926 DK V4
www.p-lindberg.dk
e-mail: salg@p-lindberg.dk