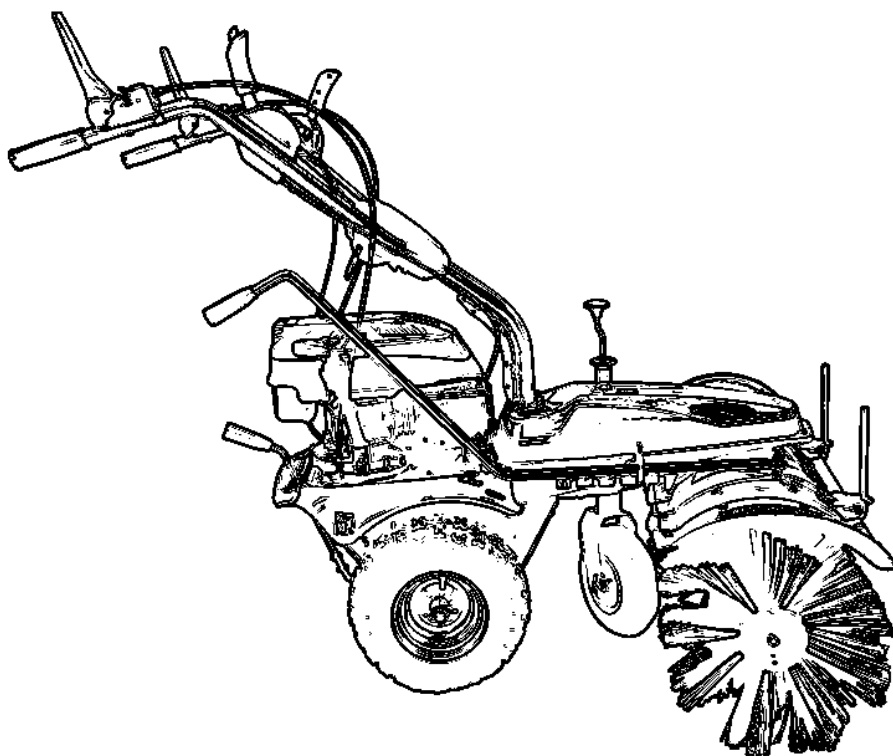


FEJEMASKINE PREMIUM

100 cm



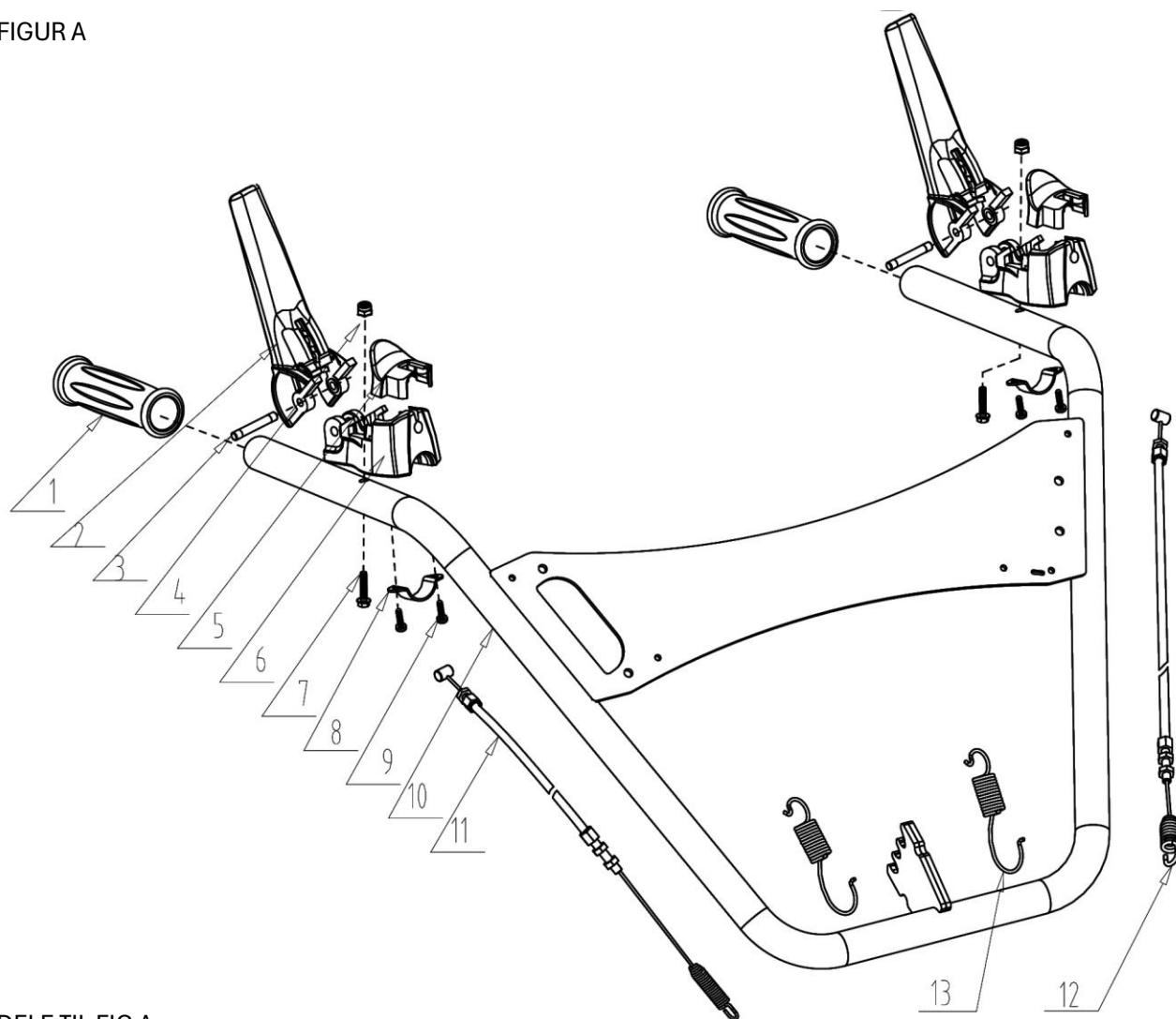
Reservedelskatalog til

9055913

ALterra

02.10.2017 (V1)
revideret 09.12.2025 (V3)

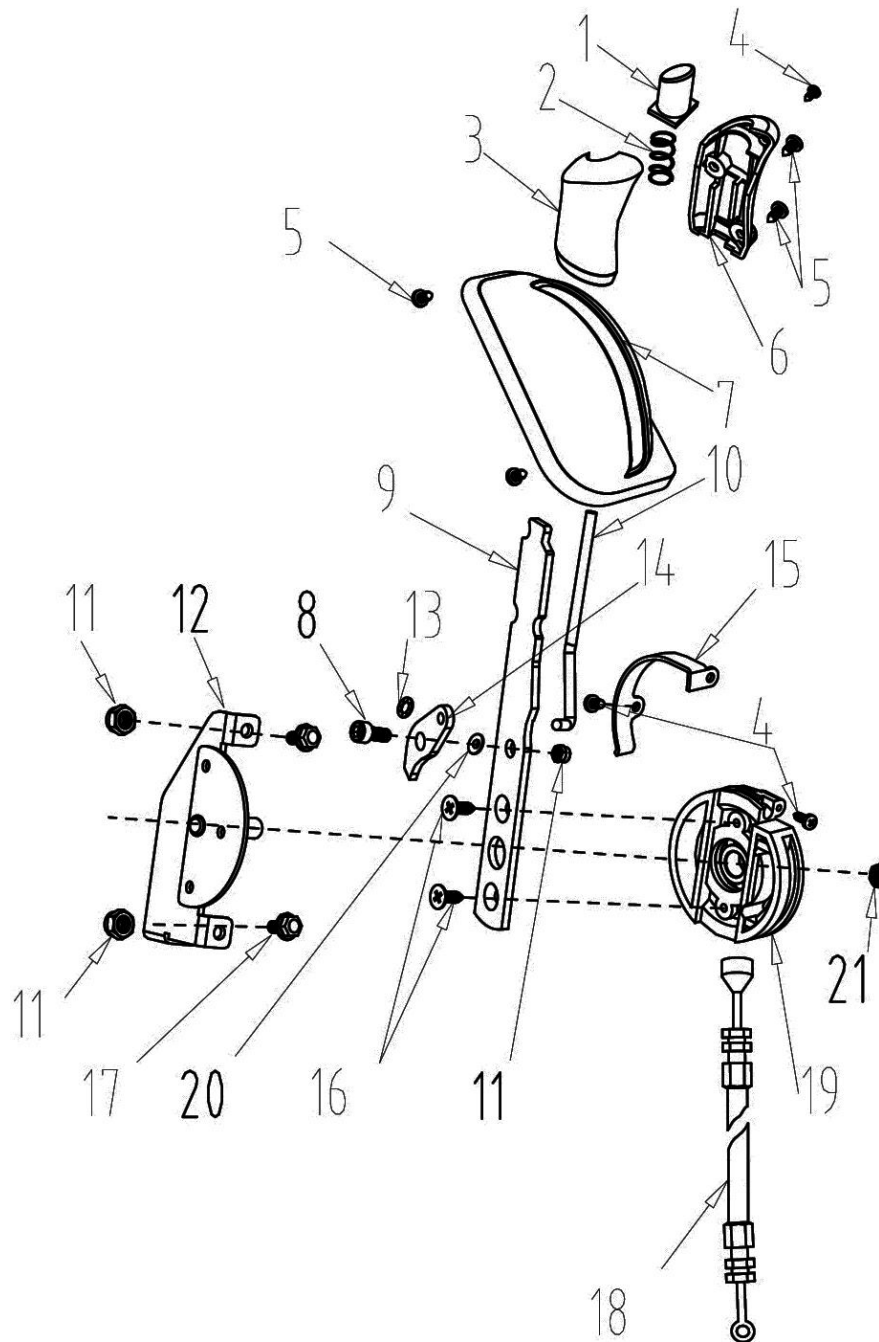
FIGURA



DELE TIL FIG A

Pos	Varenr / item no.	Varenavn	Item name	OE	stk/ pcs
1	N/A	Håndtag	HANDLE CAP	S1.00.1000000	2
2	9058399	Koblingsgreb	CLUTCH HANDLE	S1.00.2000004	2
3	N/A	Stift, Ø6x41	KNURLED PIN, Ø6X41	B6.1.06410000	2
4	9050213	Låsemøtrik, M6	LOCK NUT M6	B1.1.06000000	2
5	9058400	Dæksel for koblingsgreb	COVER BOARD	S1.00.3000000	2
6	9058401	Holder for koblingsgreb	PEDESTAL	S1.00.4000000	2
7	N/A	Bolt, M6x35	BOLT M6X35	B2.2.06350001	2
8	9058402	Bøjle for holder	HANDLE FIXING PLATE	S1.00.5000000	2
9	N/A	Skrue, ST4.2x15	SCREW ST4.2X15	B7.5.04150000	4
10	N/A	Styr, øverste del	UPPER HANDLE ASSY	S1.00.6000017	1
11	9058403	Kabel for fremdrift	CABLE FOR WALKING	S1.00.7000000	1
12	9058404	Kabel for tilkobling af kost	CABLE FOR ROLLER BRUSH	S1.00.8000000	1
13	9058405	Fjeder for tilkobling	ARMREST ADJUSTMENT SPRING	S1.00.9000000	2

FIGUR B

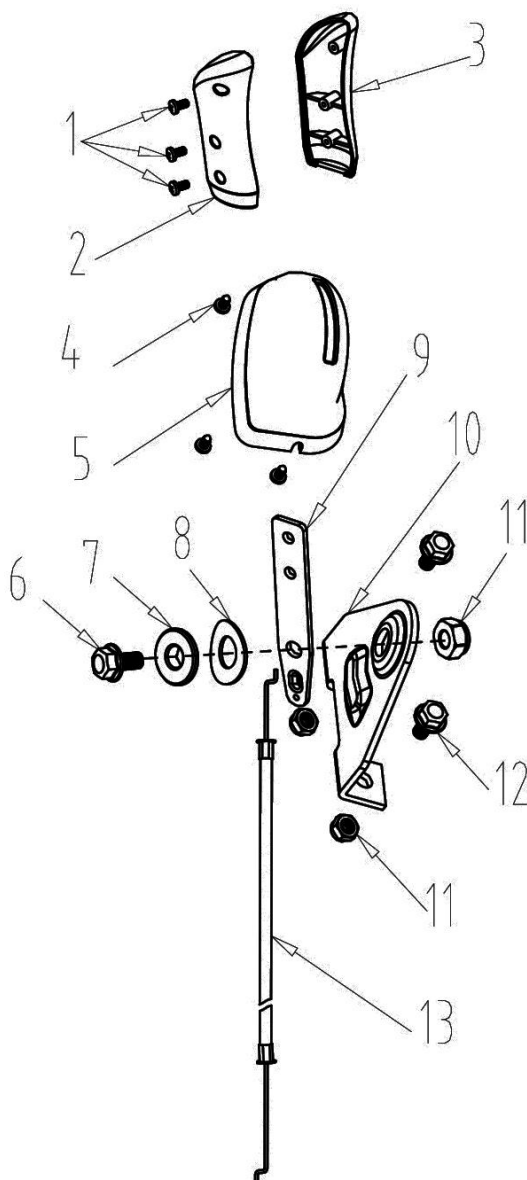


DELE TIL FIG B

Pos	Varenr / item no.	Varenavn	Item name	OE	stk/ pcs
1	N/A	Kontakt	<i>SELECTOR BUTTON</i>	S1.01.000000	1
2	N/A	Fjeder for kontakt	<i>BUTTON SPRING</i>	S1.01.100000	1
3	N/A	Højre cover (greb)	<i>RIGHT COVER</i>	S1.01.3000004	1
4	N/A	Skruer, ST2.9x9.5-C	<i>SCREW ST2.9X9.5-C</i>	B7.5.09090000	3
5	N/A	Skruer, ST4.2x9.5-C	<i>SCREW ST4.2X9.5-C</i>	B7.5.04090000	4
6	N/A	Venstre cover (greb)	<i>LEFT COVER (FOR BROOM)</i>	S1.01.2000004	1
7	N/A	Styr cover (højre)	<i>RIGHT COVER OF PANEL</i>	S1.01.4000000	1
8	N/A	Skruer, M6x14	<i>SCREW M6X14</i>	B7.1.06140000	1
9	N/A	Gearskiftestang	<i>GEAR CHANGE HAND LEVER</i>	S1.01.6110000	1

Pos	Varenr / item no.	Varenavn	Item name	OE	stk/ pcs
10	N/A	Stang	<i>PUSH ROD</i>	S1.01.5000000	1
11	9050206	Møtrik, M6	<i>NUT M6</i>	B1.1.0600000	3
12	N/A	Justeringsplade (kost)	<i>BROOM CHANGE ADJ. PLATE ASSY</i>	S1.01.8000000	1
13	N/A	Hakskive	<i>INTERNAL TOOTH LOCK WASHER</i>	B4.3.0400000	1
14	N/A	Pal	<i>PAWL</i>	S1.01.6120000	1
15	N/A	Beslag	<i>BROOM CHANGE CABLE BACKPLATE</i>	S1.01.7000000	1
16	N/A	Skrue, ST4.2x13-C	<i>SCREW ST4.2X13-C</i>	B7.8.0413000	2
17	N/A	Bolt, M6x12	<i>BOLT M6X12</i>	B2.1.0612000	2
18	9058406	Kabel for kosthastighed	<i>ROLLER BRUSH VARIABLE SPEED CABLE</i>	S1.02.0000000	1
19	9058407	Omløbshjul for kabel	<i>WHEEL OF BROOM CHANGE CABLE ASSY</i>	S1.01.9000000	1
20	N/A	Planskive, Ø6xØ15x0,5	<i>FLAT WASHER Ø6XØ15X0,5</i>	B3.1.0615000	1
21	9050208	Møtrik, M10	<i>NUT M10</i>	B1.3.1000000	1

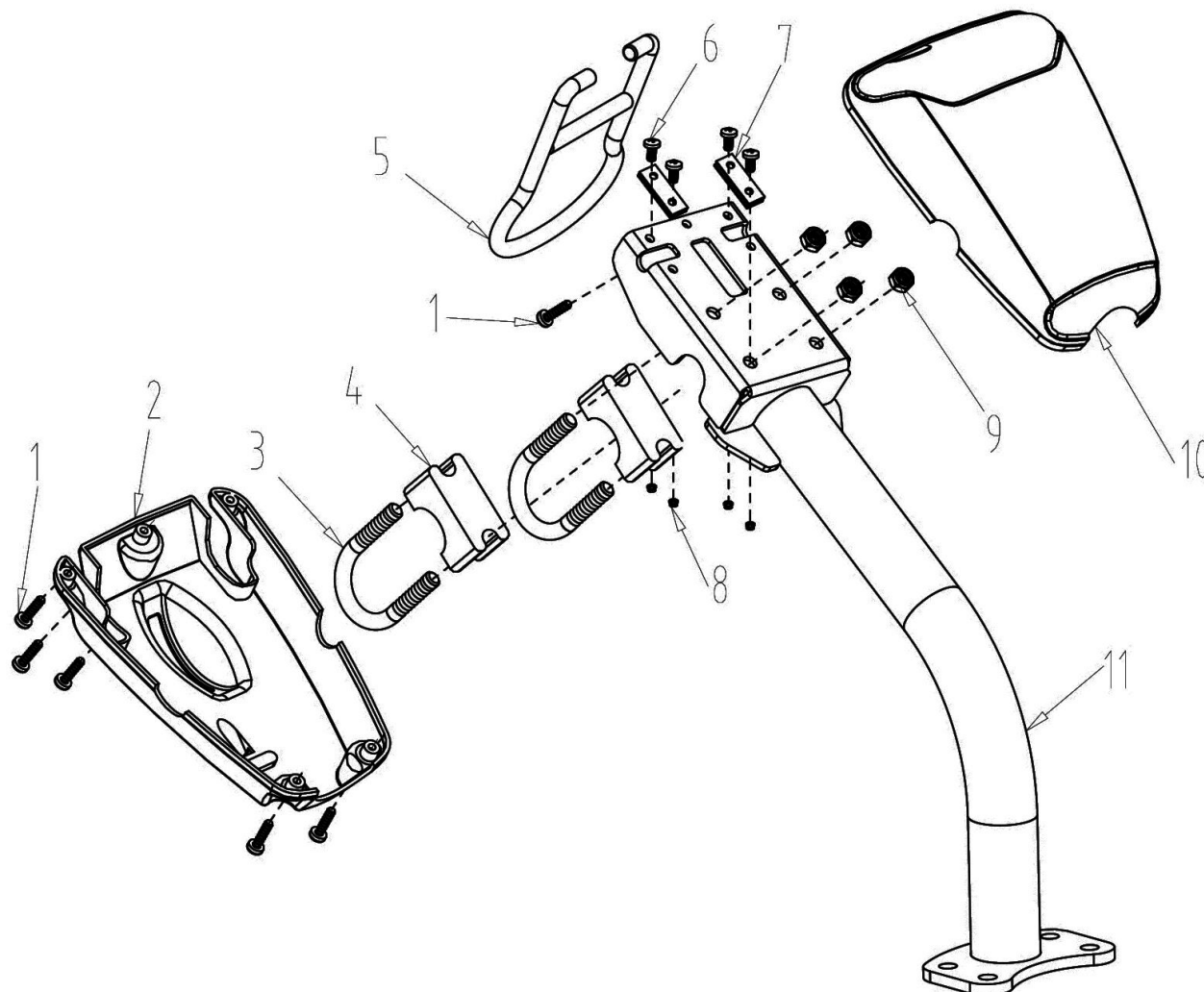
FIGUR C



DELE TIL FIG C

Pos	Varenr / item no.	Varenavn	Item name	OE	stk/ pcs
1	N/A	Skrue, ST2.9x9.5-C	SCREW ST2.9X9.5-C	B7.5.09090000	3
2	N/A	Højre cover (greb)	RIGHT COVER (ENGINE SPEED)	S1.01.3100004	1
3	N/A	Venstre cover (greb)	LEFT COVER (ENGINE SPEED)	S1.01.2100004	1
4	N/A	Skrue, ST4.2x9.5-C	SCREW ST4.2X9.5-C	B7.5.04090000	3
5	N/A	Styr cover (venstre)	LEFT COVER OF PANEL	S1.02.2000000	1
6	N/A	Bolt, M6x14	BOLT M6X14	B2.1.06140000	1
7	N/A	Bøsning	SPEED REGULIATION BUSH	S1.02.5000000	1
8	N/A	Fjederskive	SPRING WASHER	B5.2.09180000	1
9	N/A	Stang (for hastighed)	SPEED CONTROL ROD	S1.02.3000000	1
10	N/A	Justeringsplade (hastighed)	SPEED REGULIATION ADJ. PLATE	S1.02.4000000	1
11	9050206	Møtrik, M6	NUT M6	B1.1.06000000	3
12	N/A	Bolt, M6x12	BOLT M6X12	B2.1.06120000	2
13	9058408	Gaskabel for fremdrift (hastighed)	SPEED REGULIATION CABLE	S1.02.6000000	1

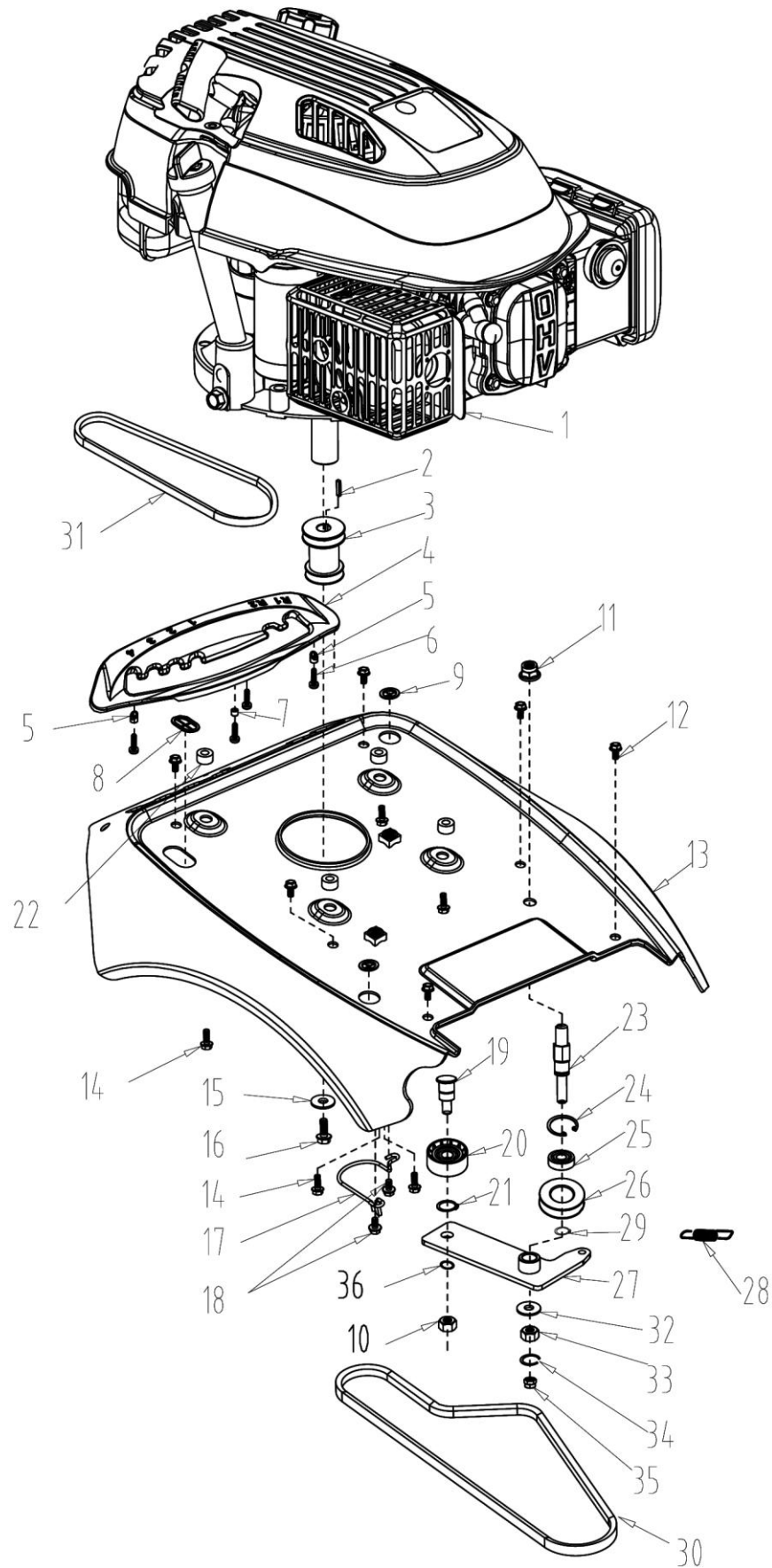
FIGUR D



DELE TIL FIG D

Pos	Varenr / item no.	Varenavn	Item name	OE	stk/ pcs
1	N/A	Skrue, ST4.2x15-C	SCREW ST4.2X15-C	B7.5.04150000	6
2	9058409	Plastbeskyttelse, bund (styr)	LOWER COVER, ARMREST ADJ.	S1.03.3000004	1
3	N/A	U-bolt	U-TYPE BOLT	S1.03.2000000	2
4	N/A	Begrænser klods	LIMIT SEAT	S1.03.1000000	2
5	N/A	Justeringshåndtag (styr)	ARMREST ADJ. HANDLES	S1.03.4000000	1
6	N/A	Bolt, M5x12	BOLT M5X12	B2.1.05120000	4
7	N/A	Justeringsplade	ARMEST ADJ. PLATE	S1.02.8000000	4
8	N/A	Bolt, M5	BOLT M5	B1.1.05000000	4
9	N/A	Bolt, M8	BOLT M8	B1.1.08000000	4
10	9058410	Plastbeskyttelse, top (styr)	UPPER COVER, ARMREST ADJ.	S1.02.7000004	1
11	N/A	Styr, komplet	UPPER HANDLE ASSY	S1.02.9000017	1

FIGURE



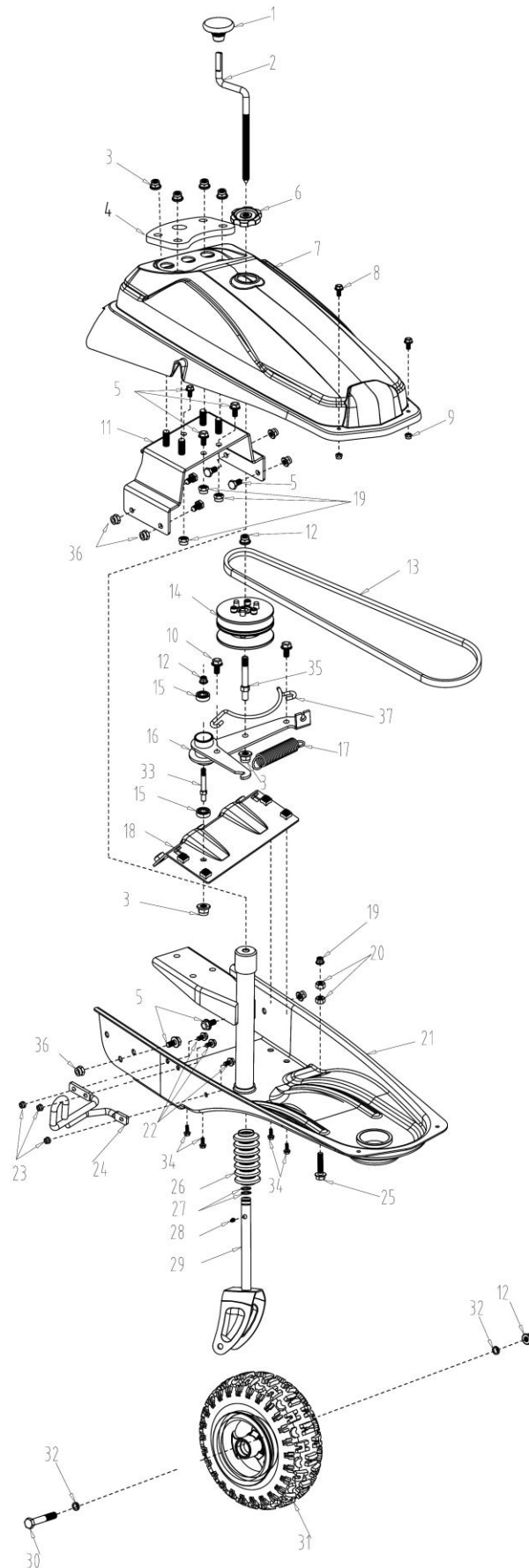
DELE TIL FIG E

Pos	Varenr / item no.	Varenavn	Item name	OE	stk/ pcs
1	9058411	Motor 173cc	ENGINE 173CC	F.1.SG5750404	1
2	N/A	Kile, 4.7x4.7x30	FLAT KEY 4.7X4.7X30	BC.2.04043000	1
3	N/A	Rulle	CAPSTAN	S1.03.8000000	1
4	9058412	Låseplade, gearvælger	GEAR PLATE	S1.04.8000000	1
5	N/A	Bøsning (fastgørelse) I	FIXED BUSHING (I)	S1.04.9000000	2
6	N/A	Skrue, ST4.2x12-C	SCREW ST4.2X12-C	B7.5.04120000	4
7	N/A	Bøsning (fastgørelse) II	FIXED BUSHING (II)	S1.05.0000000	1
8	N/A	Oval skive	CABLE CUTTING SLEEVE (I), OVAL	G2.99.0025100	1
9	N/A	Rund skive	CABLE CUTTING SLEEVE (II), ROUND	G2.99.0025000	2
10	9050208	Møtrik, M10	NUT M10	B1.3.10000000	1
11	N/A	Flange låsemøtrik, M10	FLANGE LOCK NUT M10	B1.5.10000000	1
12	N/A	Bolt, M6x12	BOLT M6X12	B2.1.06120000	6
13	N/A	Motorophængsplade	ENGINE FIXED PLATE ASSY	S1.05.2000004	1
14	N/A	Bolt, M8x35	BOLT M8X35	B2.1.08350001	4
15	N/A	Planskive, Ø10.5xØ30x4	FLAT WASHER Ø10.5XØ30X4	B3.1.10300400	1
16	N/A	Bolt, M10x35 – 10.9 kvalitet	BLADE BOLT M10X35 GRADE 10.9	B2.5.10350000	1
17	N/A	Remstyr (bag)	BELT GUARD, REAR	S1.03.9000000	1
18	N/A	Flangebolt, M6x14	FLANGE BOLT, M6X14	B2.1.06140000	2
19	N/A	Strammebolt	TENSIONER BOLT	S1.05.3X00000	1
20	9066904	Strammerulle	TENSIONER ASSY	S1.05.3110000	1
21	N/A	Låsering	CIRCLIP	B4.4.17000000	1
22	N/A	Bøsning (fastgørelse) v/motor	FIXED BUSHING (ENGINE)	S1.05.1000000	4
23	N/A	Aksel for strammerulle	SHAFT (F/TENSIONER)	S1.01.9W10075	1
24	N/A	Låsering	CIRCLIP	B4.2.32000000	1
25	9058413	Kugleleje 6201-2RS	BEARING 6201-2RS	BA.1.62010000	1
26	N/A	Strammer hjul	IDLER	S1.05.5110000	1
27	9058414	Strammer arm	IDLER SWING ARM ASSY	S1.05.7000000	1
28	9058415	Fjeder for strammer arm	IDLER SWING ARM RETURN SPRING	S1.05.6000000	1
29	N/A	Låsering for aksel	CIRCLIP FOR SHAFT	B4.4.12000000	1
30	9058416	A-rem, 13x1050	A-BELT 13X1050	BE.1.10500000	1
31	9058417	Z-rem, 10x770	Z-BELT 10X770	BE.2.77000001	1
32	N/A	Stor planskive, Ø8.5x28x2.5	LARGE FLAT WASHER Ø8.5X28X2.5	B3.1.08280200	1
33	9050207	Møtrik, M8	HEX NUT M8	B1.3.08000001	1
34	N/A	Fjederskive, Ø8 mm	SPRING WASHER Ø8	B5.1.08000000	1
35	N/A	Låsemøtrik med flange, M8	FLANGE LOCK NUT M8	B1.5.08000000	1
36	N/A	Fjederskive, Ø10 mm	SPRING WASHER Ø10	B5.1.10000000	1

ej illustreret

Pos	Varenr / item no.	Varenavn	Item name	OE	stk/ pcs
-	9058612	Rekylstart, komplet	RECOIL STARTER	-	1
-	9038573	Kugleleje 6203-2RS (strammerulle)	BEARING 6203-2RS	-	1
-	9072297	Luftfilter element, papir	AIR FILTER	-	1

FIGUR F



Kontakt
 Tlf Salgsafdeling: 7021 2626
 Tlf Teknisk support: 7696 2326

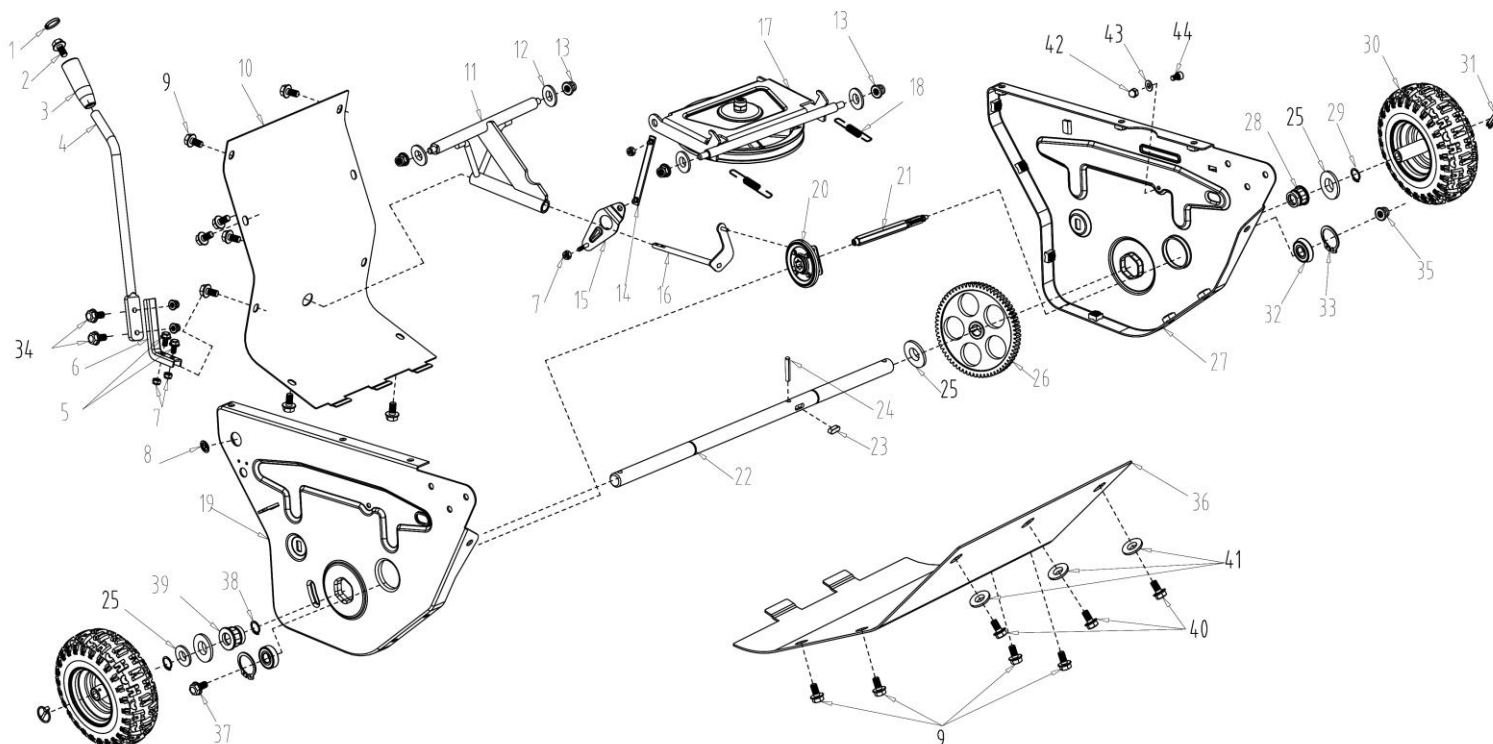
P. Lindberg A/S
 Sdr. Ringvej 1
 DK - 6600 Vejen

Fejemaskine Premium 9055913 DK V3
www.p-lindberg.dk
 e-mail: salg@p-lindberg.dk

DELE TIL FIG F

Pos	Varenr / item no.	Varenavn	Item name	OE	stk/ pcs
1	9058418	Knop for højdejustering	HEIGHT ADJ. HANDLE	S1.05.8000004	1
2	9058419	Håndtag for højdejustering	HEIGHT ADJ. BAR	S1.05.9000000	1
3	N/A	Flange låsemøtrik, M10	FLANGE LOCK NUT M10	B1.5.1000000	6
4	N/A	Bøsning	BUSHING	S1.03.5000000	1
5	9050231	Bolt, M8x20	BOLT M8X20	B2.1.0820000	9
6	9058420	Knop for kontralås	CHECK KNOB ASSY	S1.06.0000004	1
7	9058421	Remskærm, øvre	BELT COVER	S1.06.1000000	1
8	N/A	Flangebolt, M5x12	FLANGE BOLT M5X12	B2.1.0512000	2
9	9042285	Låsemøtrik, M5	LOCK NUT M5	B1.1.0500000	2
10	N/A	Flangebolt, M8x16	FLANGE BOLT M8X16	B2.1.0816000	2
11	N/A	Samlestykke	LOWER ARMREST CONNECTION BASE	S1.03.7000000	1
12	9050208	Møtrik, M10	NUT M10	B1.1.1000000	3
13	9058422	A-rem, 13x1067Li	A-BELT 13X1067LI	BE.1.1067000	1
14	N/A	Remskive	SPEED PULLEY ASSY	S1.06.X000000	1
15	N/A	Kugleleje, 6000-2RS	BEARING 6000-2RS	BA.1.6000000	2
16	9058423	Remstrammer arm	SPEED CONTROL PANEL ASSY	S1.06.9000000	1
17	9058424	Fjeder for remstrammer arm	RETURN TENSION SPRING	S1.07.0000000	1
18	N/A	Monteringsbeslag	SWING ARM FIXING PLATE ASSY	S1.07.2000000	1
19	9050214	Låsemøtrik, M8	LOCK NUT M8	B1.1.0800000	4
20	N/A	Møtrik, M8 (tynd)	THIN HEX NUT M8	B1.3.0800000	2
21	9058425	Remskærm, nedre	DECK	S1.07.4000017	1
22	N/A	Flangebolt, M6x14	FLANGE BOLT M6X14	B2.1.0614000	3
23	9050213	Låsemøtrik, M6	LOCK NUT M6	B1.1.0600000	3
24	N/A	Støttebøjle	STEERING LEVER SUPPORT STRUCTURE	S1.08.2110000	1
25	N/A	Bolt M8x40, fuldskåret gevind	BOLT M8X40 FULLY THREADED	B2.1.08400001	1
26	N/A	Støv kap	DUST COVER	S1.09.3000000	1
27	N/A	Låsering	RETAINING RING	S1.01.3B00000	2
28	9058426	Fjeder for støttehjul	COMPRESSION SPRING	S1.09.4000000	1
29	9058427	Hjulgaffel for støttehjul	FRONT WHEEL FIXING FRAME	S1.09.5000000	1
30	N/A	Flangebolt, M10x90	FLANGE BOLT, M10X90	B2.1.1090000	1
31	9058428	Støttehjul, komplet – 2.50-4	FRONT WHEEL, ASSY - 2.50-4	S1.09.7110000	1
32	N/A	Planskive, Ø10.5xØ18x5	FLAT WASHER Ø10.5XØ18X5	B3.1.10180500	2
33	N/A	Bolt	CASING STUDS	S1.07.2120000	1
34	N/A	Flangebolt, M6x12	FLANGE BOLT M6X12	B2.1.0612000	4
35	N/A	Bolt	SPEED PULLEY STUDS	S1.06.9120000	1
36	9050214	Låsemøtrik, M8	LOCK NUT M8	B1.5.0800000	6
37	N/A	Remstyr (front)	BELT FRONT GUARD	S1.06.8000000	1

FIGUR G



DELE TIL FIG G

Pos	Varenr / item no.	Varenavn	Item name	OE	stk/ pcs
1	N/A	Ring til greb	HANDLE COVER	S1.04.1200097	1
2	N/A	Flangebolt, M6x10	FLANGE BOLT M6X10	B2.1.06100000	1
3	9058429	Gearstangsknop	HANDLE	S1.04.1100000	1
4	9058430	Gearstang	GEAR SHIFT LEVER	S1.04.1000017	1
5	N/A	Flangebolt, M6x16	FLANGE BOLT M6X16	B2.1.06160000	2
6	N/A	Beslag	GEAR CLIPS	S1.04.2000000	1
7	9050213	Låsemøtrik, M6	LOCK NUT M6	B1.1.06000000	6
8	N/A	Rund skive	CABLE CUTTING SLEEVE (II), ROUND	G2.99.0025000	1
9	N/A	Flangebolt, M6x12	FLANGE BOLT M6X12	B2.1.06120000	12
10	N/A	Bagbeklædning	BACK COVER	S1.04.3000017	1
11	N/A	Drejebeslag	SWING ARM BRACKET ASSY	S1.04.5000100	1
12	N/A	Stor skive, Ø8.1xØ24x2	LARGE WASHER Ø8.1XØ24X2	B3.1.08240200	2
13	9050214	Låsemøtrik, M8	LOCK NUT M8	B1.1.08000000	4
14	9058431	Forbindelsesstang, kobling	CLUTCH HANDLE	S1.07.6000000	1
15	9058432	Arm for fremdriftskobling	CLUTCH TIE ROD CONNECTION	S1.07.7000000	1
16	N/A	Stang (gaffelformet)	FORK ROD ASSY	S1.04.7000000	1
17	9058433	Variator skive	FRICTION DISC	S1.07.5X00000	1
18	N/A	Returfjeder	RETURN SPRING	S1.07.8000000	2
19	N/A	Sidecover, højre	BOX COVER (RIGHT SIDE)	S1.08.6000017	1
20	9058434	Variator hjul	FRICTION WHEEL ASSY	S1.09.1X00000	1
21	N/A	Gear aksel	SHAFT GEAR	S1.09.2000000	1

Kontakt

Tlf Salgsafdeling: 7021 2626

Tlf Teknisk support: 7696 2326

P. Lindberg A/S

Sdr. Ringvej 1

DK - 6600 Vejen

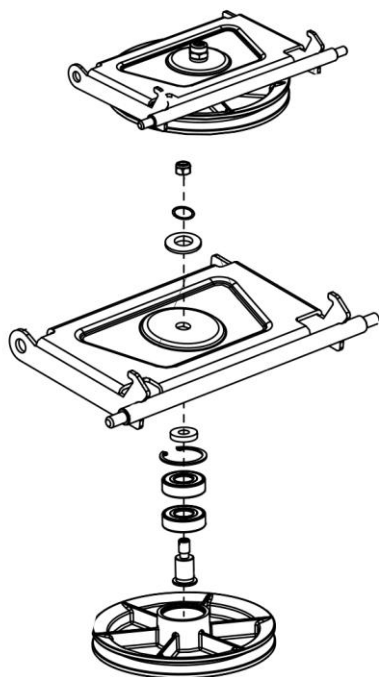
Fejemaskine Premium 9055913 DK V3

www.p-lindberg.dk

e-mail: salg@p-lindberg.dk

Pos	Varenr / item no.	Varenavn	Item name	OE	stk/ pcs
22	N/A	Drivaksel, Ø19x550	DRIVE SHAFT Ø19X550	S1.08.7000000	1
23	N/A	Kile, 6x6x17	FLAT KEY 6X6X17	BC.2.06061700	1
24	N/A	Pin, Ø4x30	PIN Ø4X30	B6.2.04300000	1
25	N/A	Planskive, Ø19.2x28x1.2	FLAT WASHER Ø19.2X28X1.2	B3.1.19280100	3
26	N/A	Gearhjul	BIG GEAR	S1.08.8000000	1
27	N/A	Sidecover, venstre	LEFT BOX LID ASSY	S1.08.9000017	1
28	N/A	Bøsning, venstre side	SHAFT SLEEVE (LEFT)	S1.09.0000000	1
29	N/A	Låserring til drivaksel	CIRCLIP FOR DRIVE SHAFT	B4.4.19000000	2
30	9058435	Hjul, komplet - 13x5-6	WHEEL, ASSY - 13x5-6	S1.08.4000000	2
31	N/A	Hjulbolt	WHEEL LATCHES	S1.08.3000000	2
32	N/A	Kugleleje, 6203-2RZ/N	BEARING 6203-2RZ/N	BA.1.62030001	2
33	N/A	Låserring	RETAINING RING	B4.4.40000001	2
34	N/A	Flangebolt, M6x22	FLANGE BOLT M6X22	B2.1.06220000	2
35	N/A	Låsemøtrik med flange, M10	FLANGE LOCK NUT M10	B1.5.10000000	1
36	N/A	Front cover	FRONT COVER	S1.11.0000017	1
37	N/A	Flangebolt, M10x15	FLANGE BOLT M10X15	B2.1.10150000	1
38	N/A	Låserring, Ø26	RETAINING RING Ø26	B4.4.26000000	1
39	N/A	Bøsning, højre side	SHAFT SLEEVE (RIGHT)	S1.08.5000000	1
40	N/A	Flangebolt, M6x14	FLANGE BOLT M6X14	B2.1.06140000	3
41	N/A	Planskive, Ø8.1xØ24x2	WASHER Ø8.1XØ24X2	B3.1.08240200	3
42	9050206	Møtrik, M6	NUT M6	B1.6.06000000	1
43	N/A	Planskive, Ø6xØ12x1	WASHER Ø6XØ12X1	B3.1.06120100	1
44	N/A	Bolt, M6x10	HEX BOLT M6X10	B2.2.06100000	1

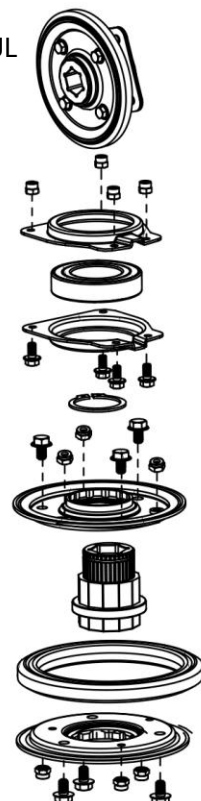
POS G17 VARIATOR SKIVE



Kontakt
Tlf Salgsafdeling: 7021 2626
Tlf Teknisk support: 7696 2326

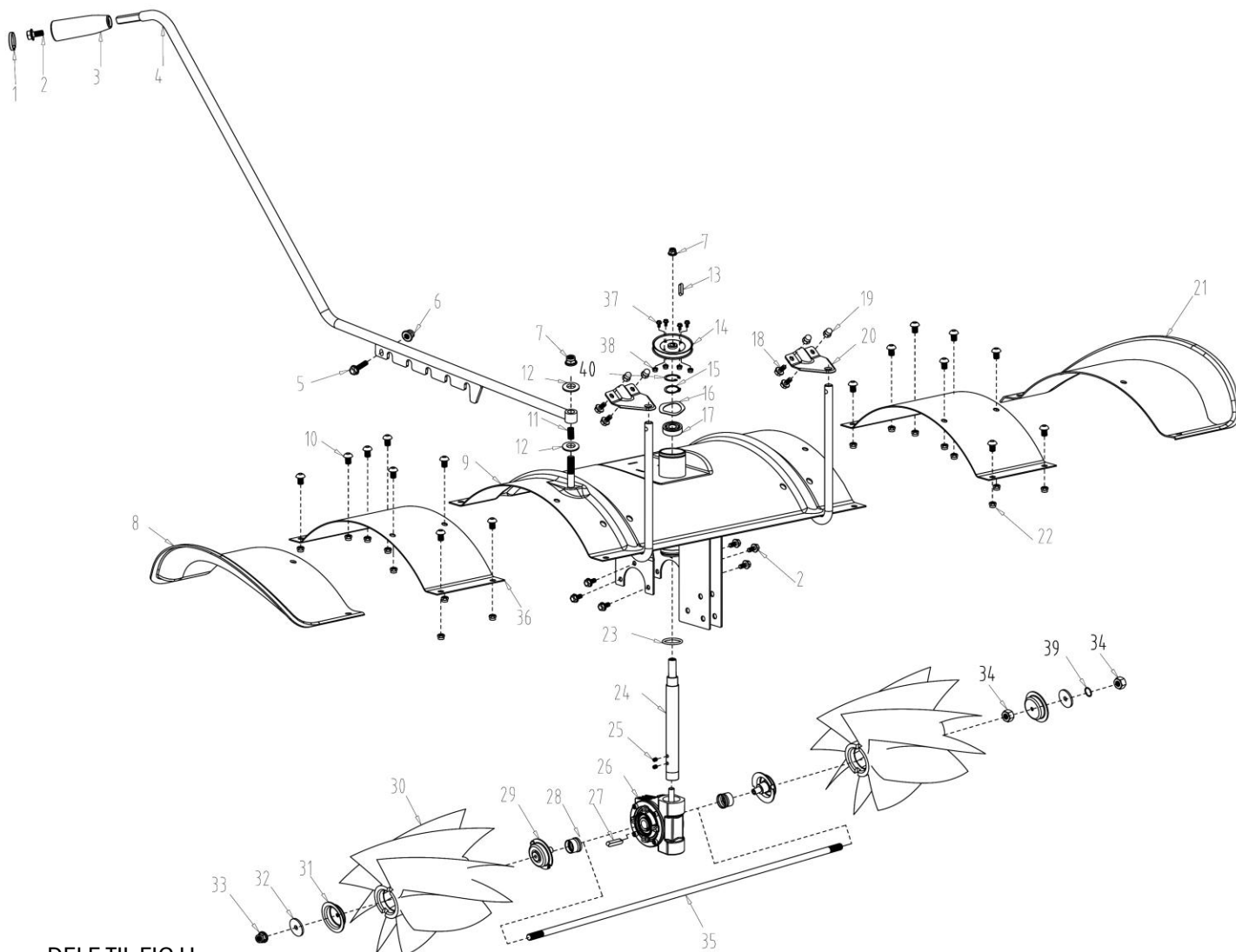
P. Lindberg A/S
Sdr. Ringvej 1
DK - 6600 Vejen

POS G20 VARIATOR HJUL



Fejemaskine Premium 9055913 DK V3
www.p-lindberg.dk
e-mail: salg@p-lindberg.dk

FIGUR H



DELE TIL FIG H

Pos	Varenr / item no.	Varenavn	Item name	OE	stk/ pcs
1	N/A	Prop til håndtag	HANDLE COVER	S1.04.1200097	1
2	N/A	Flangebolt, M6x10	FLANGE BOLT M6X10	B2.1.06100000	6
3	N/A	Håndtagsgreb	HANDLE	S1.04.1100000	1
4	9058436	Håndtag for kost (svingarm)	BROOM STEERING LEVER / ROD	S1.09.9000017	1
5	N/A	Flangebolt, M6x22	FLANGE BOLT M6X22	B2.1.06220000	1
6	9050213	Låsemøtrik, M6	LOCK NUT M6	B1.1.06000000	1
7	9050215	Låsemøtrik, M10	LOCK NUT M10	B1.5.10000000	2
8	9058437	Skærmforøger, plast - højre	BRUSH GUARD, RIGHT	S1.10.0000000	1
9	N/A	Midterskærm	BRUSH DAMBOARD, ASSY	S1.11.1000004	1
10	N/A	Skrue, M8x12	SCREW M8X12	B7.7.08120000	16
11	N/A	Fjeder	CARBON SPRING	S1.10.1000000	1
12	N/A	Planskive, Ø10.5xØ20x2	FLAT WASHER Ø10.5XØ20X2	B3.1.10200200	2
13	N/A	Kile, 4x4x12	KEY 4X4X12	BC.2.04041200	1

Kontakt

Tlf Salgsafdeling: 7021 2626
Tlf Teknisk support: 7696 2326

P. Lindberg A/S

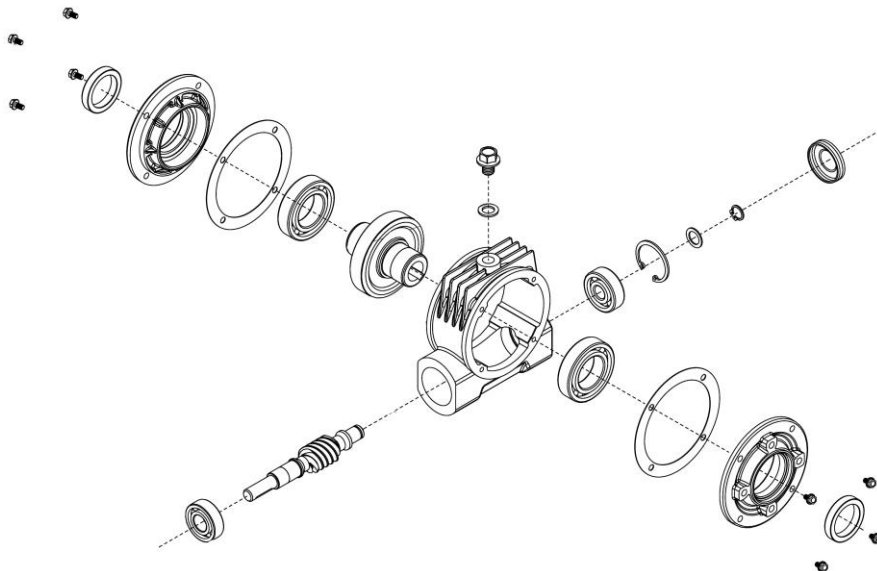
Sdr. Ringvej 1
DK - 6600 Vejen

Fejemaskine Premium 9055913 DK V3

www.p-lindberg.dk
e-mail: salg@p-lindberg.dk

Pos	Varenr / item no.	Varenavn	Item name	OE	stk/ pcs
14	9058438	Remskive, udv. diameter 120mm	BRUSH PULLEY, ASSY.	S1.07.3000000	1
15	N/A	Låsering, Ø40	RETAINING RING Ø40	B4.4.4000000	1
16	N/A	Fjederskive	ELASTIC WASHER	B5.2.4050000	1
17	9038542	Kugleleje, 6003-2RS	BEARING 6003-2RS	BA.1.60030000	1
18	N/A	Flangebolt, M6x12	FLANGE BOLT M6X12	B2.1.06120000	4
19	9050206	Møtrik, M6	NUT M6	B1.6.06000000	4
20	N/A	Beslag	HOOK LIMIT PLATE	S1.10.2000000	2
21	9058439	Skærmforøger, plast - venstre	BRUSH GUARD, LEFT	S1.11.2000000	1
22	9050214	Låsemøtrik, M8	LOCK NUT M8	B1.1.08000000	16
23	N/A	O-ring, 31x2	RUBBER O-RING 31X2	B9.1.30020000	1
24	9058440	Aksel for vinkelgear	CONNECTING SHAFT F/GEARBOX	S1.10.3000000	1
25	N/A	Skrue, M5x8	SCREW M5X8	B7.0.05080000	2
26	9058441	Vinkelgear, komplet	GEARBOX ASSEMBLY	S1.10.8000000	1
27	N/A	Kile, 6x4x55	FLAT KEY, 6X4X55	BC.2.06045500	1
28	N/A	Bøsning	SLEEVE / ANTI-SLING	S1.10.7000000	2
29	N/A	Trykskive	PRESSURE PLATE INTERNAL	S1.10.6000000	2
30	9058442	Kost / børste (en side)	BRUSH	S1.10.5000100	2
31	9058443	Skive, stor - til kost	BRUSH PLATE	S1.10.4000000	2
32	N/A	Stor planskive, Ø11xØ58x5	LARGE WASHER Ø11XØ58X5	B3.1.11580500	2
33	9050215	Låsemøtrik, M10	LOCK NUT M10	B1.1.10000000	1
34	9050208	Møtrik, M10	NUT M10	B1.3.10000000	2
35	9058444	Låsebolt for kost, M10x925	BRUSH SCREW M10X925	S1.10.9000100	1
36	9058445	Skærmforøger, metal	EXTENDED BRUSH GUARD	S1.11.5000004	2
37	N/A	Flangebolt, M5x12	FLANGE BOLT M5X12	B2.1.05120000	4
38	N/A	Møtrik med flange, M5	FLANGE NUT M5	B1.4.05000000	4
39	N/A	Fjederskive, Ø10	SPRING WASHER Ø10	B5.1.10000000	1
40	N/A	Låsering, Ø35	RETAINING RING Ø35	B4.2.35000000	1

POS H26 VINKELGEAR



Vi forbeholder os ret til uden foregående varsel at ændre de tekniske parametre og specifikationer for dette produkt

Kontakt
Tlf Salgsafdeling: 7021 2626
Tlf Teknisk support: 7696 2326

P. Lindberg A/S
Sdr. Ringvej 1
DK - 6600 Vejen

Fejemaskine Premium 9055913 DK V3
www.p-lindberg.dk
e-mail: salg@p-lindberg.dk