



# AHEAD NBM 2nd Generation 105, 155, 175, 200 & 220

Slagleklippere med sideforskydning

## Reservedelskatalog til

105 cm, NBM105 PL.0A 2nd Gen. 9071374

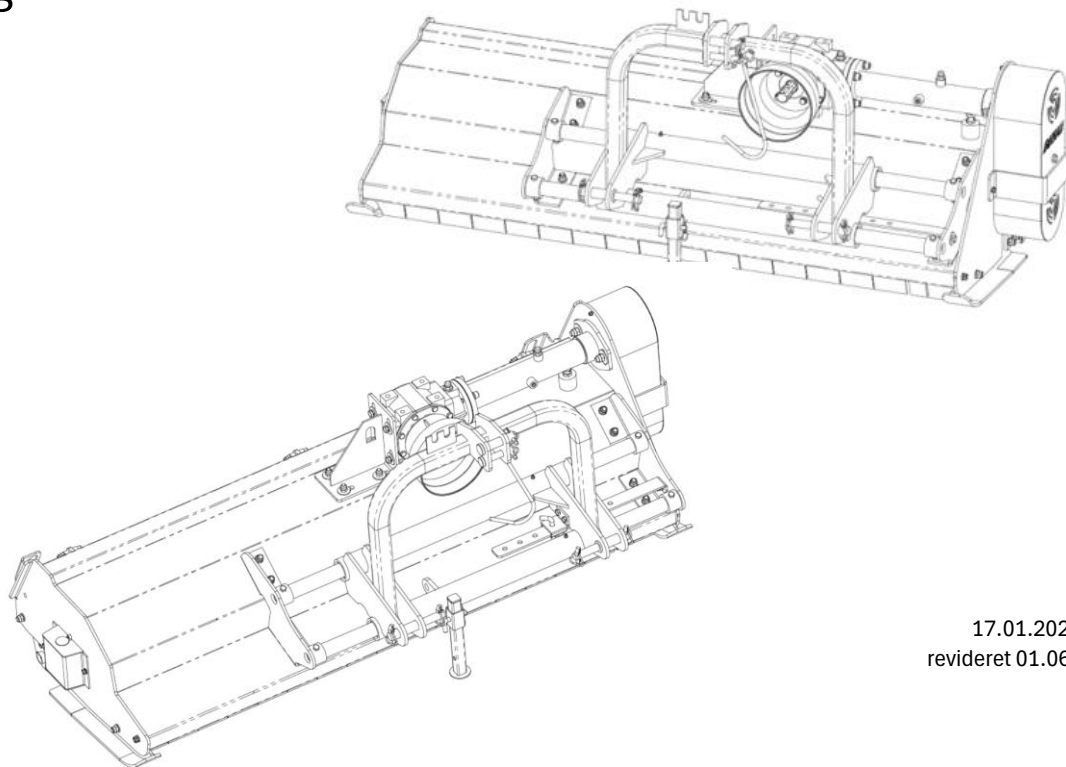
155 cm, NBM155 PL.0A 2nd Gen. 9071375

175 cm, NBM175 PL.0A 2nd Gen. 9071376

200 cm, NBM200 PL.0HA 2nd Gen. 9071377

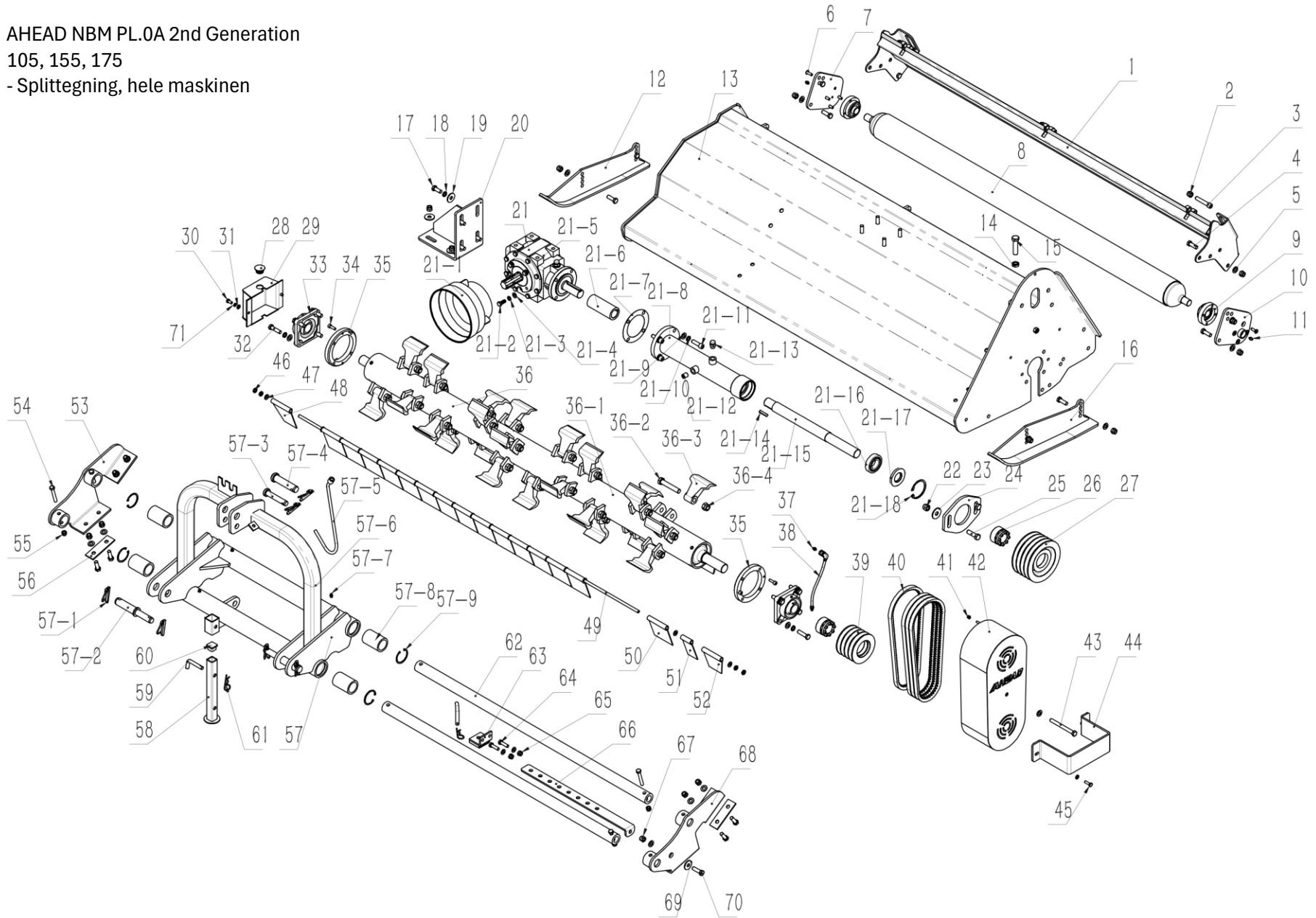
220 cm, NBM220 PL.0HA 2nd Gen. 9071378

BEMÆRK: Medmindre andet er angivet,  
passer delene til alle modeller.



17.01.2025 (V1)  
revideret 01.06.2026

AHEAD NBM PL.0A 2nd Generation  
 105, 155, 175  
 - Splittegning, hele maskinen

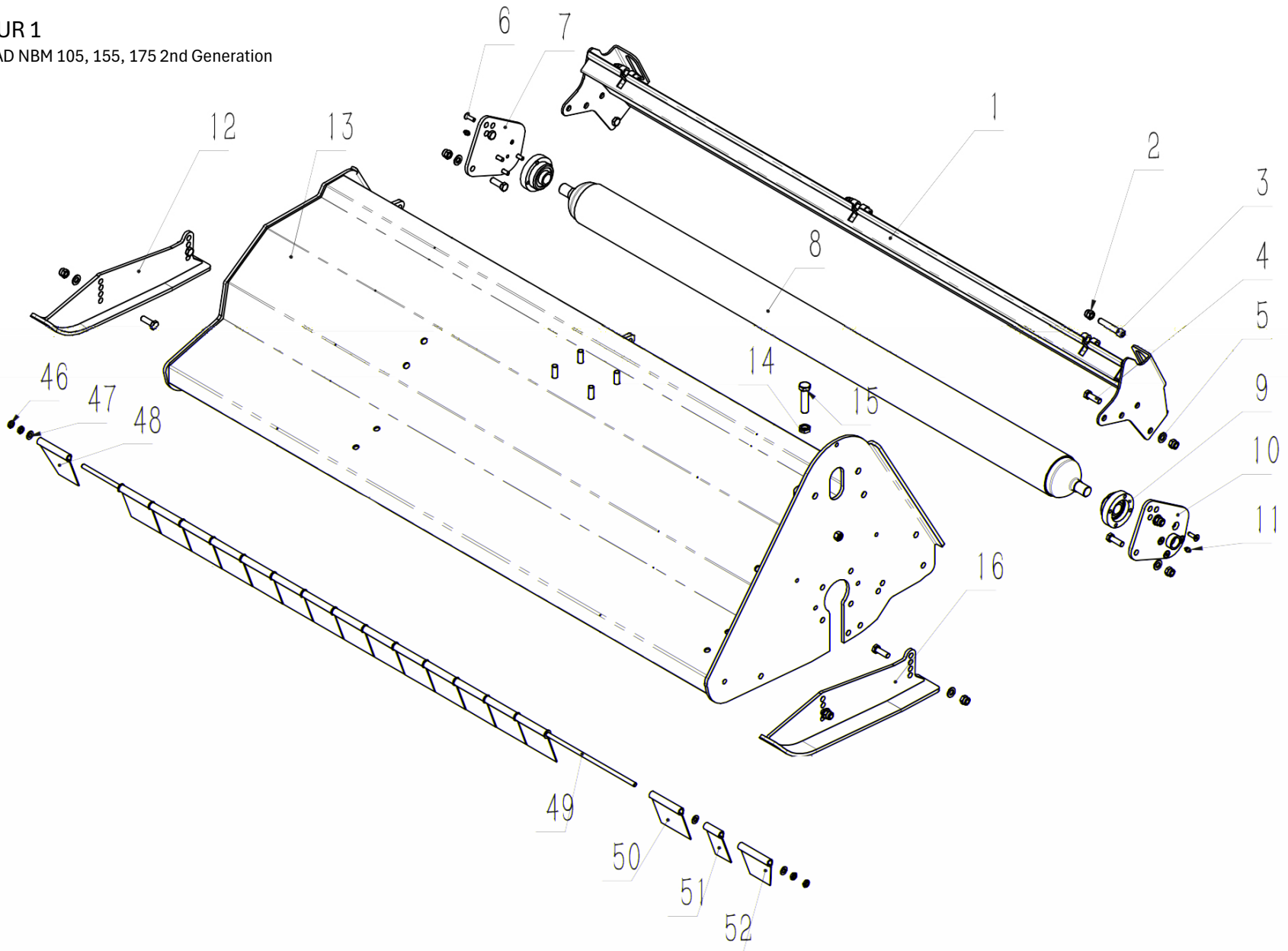


Kontakt  
 Tlf Salgsafdeling: 7021 2626  
 Tlf Teknisk support: 7696 2326

P. Lindberg A/S  
 Sdr. Ringvej 1  
 DK - 6600 Vejen

AHEAD NBM 2nd Gen. DKV1  
 www.p-lindberg.dk  
 e-mail: salg@p-lindberg.dk

FIGUR 1  
AHEAD NBM 105, 155, 175 2nd Generation



## DELE TIL FIG 1

Pos	Varenr / item no.	Varenavn	Item name	OE	stk/pcs
1	N/A	Bagklap, 105cm	BACK COVER WELDING PARTS	NBM105PL.3A	1
1	N/A	Bagklap, 155cm	BACK COVER WELDING PARTS	NBM155PL.3A	1
1	N/A	Bagklap, 175cm	BACK COVER WELDING PARTS	NBM175PL.3A	1
2	9050216	Låsemøtrik M12	LOCK NUT M12	B-G00889A-12	25
3	N/A	Bolt, M12x70	HEXAGON SOCKET BOLT M12*70	B-G00070A-12*70	3
4	N/A	Bolt, M12x35	BOLT M12*35	B-G057830-12*35	18
5	9050204	Planskive, Ø12	WASHER 12	B-G00097A-12	28
6	N/A	Skrue m/undersænket hoved M8x25	HEXAGON COUNTERSUNK SCREW M8*25	B-G00070C-8*25	8
7	N/A	Lejeholder for bagrulle, højre	REAR ROLLER RIGHT CONN. PLATE PARTS	NBM105PL.31A	1
8	9068130	Bagrulle, 105cm	ROLLER WELDING PARTS	NBM105.12	1
8	9068131	Bagrulle, 155cm	ROLLER WELDING PARTS	NBM155.12	1
8	9068132	Bagrulle, 175cm	ROLLER WELDING PARTS	NBM175.12	1
9	9044336	Løst leje, UC205	UC205 BEARING	EFGC175.19B	2
10	N/A	Lejeholder for bagrulle, venstre	REAR ROLLER LEFT CONN. PLATE PARTS	NBM105PL.13A	1
11	N/A	Smørenippel, 8x1	STRAIGHT-THROUGH GREASE NIPPLE M8*1	B-J07940A-8*1A	2
12	9068121	Slæbesko, venstre	LEFT SKID WELDING PARTS	NBM175.4	1
13	N/A	Slaglekasse, 105cm	HOOD / DECK WELDING PARTS	NBM105PL.1A	1
13	N/A	Slaglekasse, 155cm	HOOD / DECK WELDING PARTS	NBM155PL.1A	1
13	N/A	Slaglekasse, 175cm	HOOD / DECK WELDING PARTS	NBM175PL.1A	1
14	N/A	Møtrik, M16x1,5	THIN NUT M16*1.5	B-G00889B-16*1.5	1
15	N/A	Bolt, M16x1,5x50	BOLT M16*1.5*50	B-G057850-16*1.5*90	1
16	9068122	Slæbesko, højre	RIGHT SKID WELDING PARTS	NBM175.5	1
46	9050208	Møtrik, M10	NUT M10	B-G06172A-10	4
47	9050203	Planskive, Ø10	WASHER 10	B-G00097A-10	20
48	9068144	Flap, venstre	WIDE BAFFLE LEFT	EF100.00.122A	1
49	N/A	Aksel for flaps, 105cm	BAFFLE HANGING ROD	NBM105.19	1
49	N/A	Aksel for flaps, 155cm	BAFFLE HANGING ROD	NBM155.19	1
49	N/A	Aksel for flaps, 175cm	BAFFLE HANGING ROD	NBM175.19	1
50	9068146	Flap, midte, 105cm	WIDE BAFFLE	EF100.00.122	8
50	9068146	Flap, midte, 155cm	WIDE BAFFLE	EF100.00.122	13
50	9068146	Flap, midte, 175cm	WIDE BAFFLE	EF100.00.122	15

Kontakt

Tlf Salgsafdeling: 7021 2626

Tlf Teknisk support: 7696 2326

P. Lindberg A/S

Sdr. Ringvej 1

DK – 6600 Vejen

AHEAD NBM 2nd Gen. DKV1

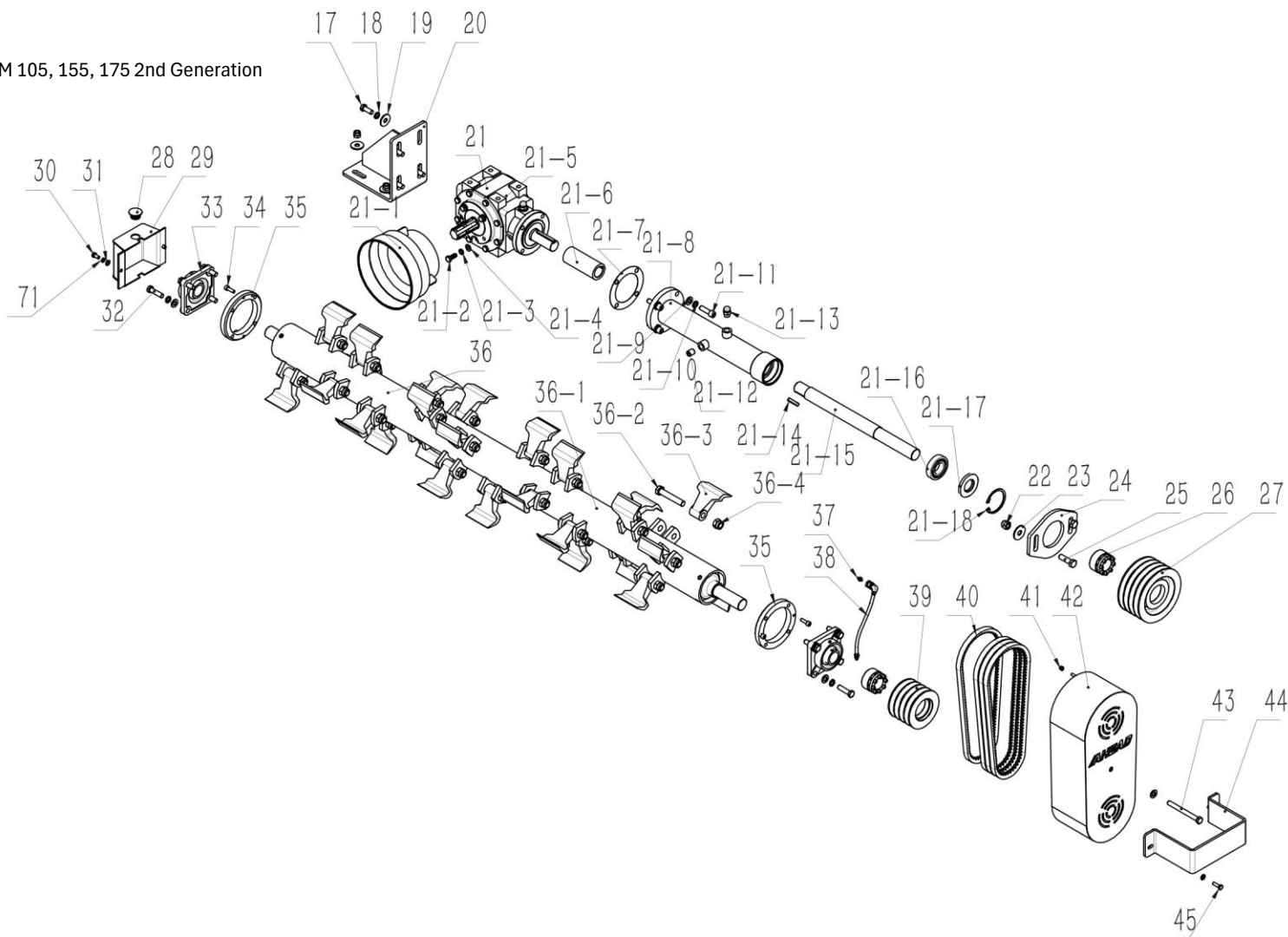
www.p-lindberg.dk

e-mail: salg@p-lindberg.dk

Pos	Varenr / item no.	Varenavn	Item name	OE	stk/pcs
51	N/A	Flap, smal	<i>NARROW BAFFLE</i>	EF100.00.121	1
52	9068145	Flap, højre	<i>WIDE BAFFLE RIGHT</i>	EF100.00.122B	1

FIGUR 2

AHEAD NBM 105, 155, 175 2nd Generation



Kontakt  
 Tlf Salgsafdeling: 7021 2626  
 Tlf Teknisk support: 7696 2326

P. Lindberg A/S  
 Sdr. Ringvej 1  
 DK - 6600 Vejen

AHEAD NBM 2nd Gen. DKV1  
 www.p-lindberg.dk  
 e-mail: salg@p-lindberg.dk

## DELE TIL FIG 2

Pos	Varenr / item no	Varenavn	Item name	OE	stk/pcs
17	N/A	Bolt, M12x30	<i>BOLT M12*30</i>	B-G057830-12*30	4
18	N/A	Fjederskive, Ø12	<i>SPRING WASHER 12</i>	B-G000930-12	12
19	N/A	Stor skærmskive, Ø12	<i>ENLARGE FLAT WASHER 12</i>	B-G000960-12	8
20	N/A	Gearkasse beslag	<i>GEAR BOX SEAT WELDING PARTS</i>	EFGC175.14	1
21	9068133	Komplet gearkasse, 105cm	<i>TRANSMISSION ASSEMBLY</i>	NBM105.9	1
21	9068134	Komplet gearkasse, 155cm	<i>TRANSMISSION ASSEMBLY</i>	NBM155.9	1
21	9068135	Komplet gearkasse, 175cm	<i>TRANSMISSION ASSEMBLY</i>	NBM175.9	1
21-1	9043079	PTO-skærm for vinkelgear	<i>PTO COVER</i>	FM150.120	1
21-2	N/A	Bolt, M10x25	<i>BOLT M10*25</i>	B-G057830-10*25	4
21-3	9050203	Planskive, Ø10	<i>WASHER 10</i>	B-G000930-10	4
21-4	N/A	Skive, Ø10	<i>WASHER 10</i>	B-G00097A-10	4
21-5	N/A	Vinkelgear	<i>GEARBOX (50HP)</i>	W-01-T101L	1
21-6	9064044	Trækmuffe	<i>CONNECTING SLEEVE</i>	EFGC175.9-2	1
21-7	9068125	Pakning ved vinkelgear	<i>GASKET</i>	EFGC175.9-1	1
21-8	N/A	Akselrør, 105cm	<i>TRANSMISSION TUBE WELDING PARTS</i>	NBM105.9.4	1
21-8	N/A	Akselrør, 155cm & 175cm	<i>TRANSMISSION TUBE WELDING PARTS</i>	EFGC175.9.4	1
21-9	9050204	Planskive, Ø12	<i>WASHER 12</i>	B-G00097A-12	4
21-10	N/A	Skive, Ø12	<i>WASHER 12</i>	B-G000930-12	4
21-11	N/A	Skrue, M12x40	<i>SCREW M12*40</i>	B-G00070A-12*40	4
21-12	N/A	Prop	<i>SCREW PLUG NPT3/8</i>	B-J044460-NPT3/8	1
21-13	9068098	Udlufterbolt	<i>BREATH SCREW PLUG ZG3/8"-19</i>	EFGC175.10	1
21-14	9045105	Kile, 10x40	<i>KEY 10*40</i>	B-G010960-10*40	1
21-15	9064045	Aksel, 105cm	<i>SHAFT</i>	NBM105.9-3	1
21-15	9068123	Aksel, 155cm	<i>SHAFT</i>	NBM155.9-3	1
21-15	9068124	Aksel, 175cm	<i>SHAFT</i>	NBM175.9-3	1
21-16	9038580	Kugleleje, 6207-2RZ	<i>BEARING 6207-2RZ</i>	B-G002760-6207-2RZ	1
21-17	9068165	Pakdåse, 35x72x8	<i>OIL SEAL FB35*72*8</i>	B-G13871A-FB35*72*8	1
21-18	9068164	Låsering, 72	<i>RETAINING RING 72</i>	B-G00893A-72	1
22	9041419	Låsemøtrik, M14	<i>LOCK NUT M14</i>	B-G00889A-14	2
23	N/A	Skærmskive, Ø14	<i>ENLARGE FLAT WASHER 14</i>	B-G000960-14	2
24	9073484	Remstrammer	<i>TENSION PLATE</i>	EFGC175.29	1

Kontakt

Tlf Salgsafdeling: 7021 2626

Tlf Teknisk support: 7696 2326

P. Lindberg A/S

Sdr. Ringvej 1

DK – 6600 Vejen

AHEAD NBM 2nd Gen. DKV1

www.p-lindberg.dk

e-mail: salg@p-lindberg.dk

Pos	Varenr / item no	Varenavn	Item name	OE	stk/pcs
25	N/A	Bolt, M14x45	<i>BOLT M14*45</i>	B-G057830-14*45	2
26	9064051	Tapelock, 35x60	<i>POWER LOCK 04 TYPE 35*60</i>	B-J7934Z3-35*60	2
27	9064049	Remskive, stor, 105cm & 155cm	<i>BIG PULLEY</i>	EFGC155.31	1
27	9068140	Remskive, stor, 175cm	<i>BIG PULLEY</i>	EFGC175.31	1
28	N/A	Prop	<i>25 RUBBER COVER</i>	W-08-Y25	1
29	N/A	Skjold	<i>BEARING SEAT PROTECTIVE COVER</i>	NBM175CR.40	1
30	N/A	Bolt, M8x16	<i>BOLT M8*16</i>	B-G057830-8*16	2
31	N/A	Fladskive 8mm	<i>FLAT PAD 8</i>	B-G00097A-8	4
32	N/A	Bolt, M12x45	<i>BOLT M12*45</i>	B-G057830-12*45	8
33	9044311	Komplet leje, UCFU207	<i>SQUARE SEAT BEARING UCFU207</i>	B-G078100-UCFU207-G	2
34	N/A	Skrue, M8x25	<i>HEXAGON SOCKET SCREW M8*25</i>	B-G00070A-8*25	4
35	N/A	Beskyttelsesring for leje	<i>ANTI-GRASS RING</i>	NBM175.16	2
36	9068137	Komplet aksel m/slagler, 105cm	<i>ROTOR ASSEMBLY</i>	NBM105.8A	1
36	9068138	Komplet aksel m/slagler, 155cm	<i>ROTOR ASSEMBLY</i>	NBM155.8A	1
36	9068139	Komplet aksel m/slagler, 175cm	<i>ROTOR ASSEMBLY</i>	NBM175.8A	1
36-1	N/A	Hovedaksel, 105cm	<i>ROTOR WELDING PARTS</i>	NBM105.8	1
36-1	N/A	Hovedaksel, 155cm	<i>ROTOR WELDING PARTS</i>	NBM155.8	1
36-1	N/A	Hovedaksel, 175cm	<i>ROTOR WELDING PARTS</i>	NBM175.8	1
36-2	N/A	Bolt, M16x1,5x90	<i>BOLT M16*1.5*90</i>	B-G057850-16*1.5*90	16
36-2	N/A	Bolt, M16x1,5x90	<i>BOLT M16*1.5*90</i>	B-G057850-16*1.5*90	24
36-2	N/A	Bolt, M16x1,5x90	<i>BOLT M16*1.5*90</i>	B-G057850-16*1.5*90	28
36-3	9064047	Slagle, 90mm, 105cm	<i>HAMMER</i>	NBM175.30	16
36-3	9064047	Slagle, 90mm, 155cm	<i>HAMMER</i>	NBM175.30	24
36-3	9064047	Slagle, 90mm, 175cm	<i>HAMMER</i>	NBM175.30	28
36-4	N/A	Møtrik, M16x1,5	<i>NUT M16*1.5</i>	B-G00889B-16*1.5	16
36-4	N/A	Møtrik, M16x1,5	<i>NUT M16*1.5</i>	B-G00889B-16*1.5	24
36-4	N/A	Møtrik, M16x1,5	<i>NUT M16*1.5</i>	B-G00889B-16*1.5	28
37	9071539	Smørenippel, M10x1	<i>STRAIGHT-THROUGH GREASE NIPPLE M10*1</i>	B-J07940B-A10*1A	1
38	9073485	Olierør	<i>HIGH PRESSURE BUTTER HOSE</i>	NBM175.31	1
39	9064050	Remskive, lille, 105cm & 155cm	<i>SMALL PULLEY</i>	EFGC155.27	1
39	9068141	Remskive, lille, 175cm	<i>SMALL PULLEY</i>	EFGC175.27	1
40	9073442	Kilerem, XPB991, t/105 & 155cm	<i>V-BELT XPB991</i>	B-G127300-XPB991	3
40	9073442	Kilerem, XPB991, t/175cm	<i>V-BELT XPB991</i>	B-G127300-XPB991	4

Kontakt

Tlf Salgsafdeling: 7021 2626

Tlf Teknisk support: 7696 2326

P. Lindberg A/S

Sdr. Ringvej 1

DK – 6600 Vejen

AHEAD NBM 2nd Gen. DKV1

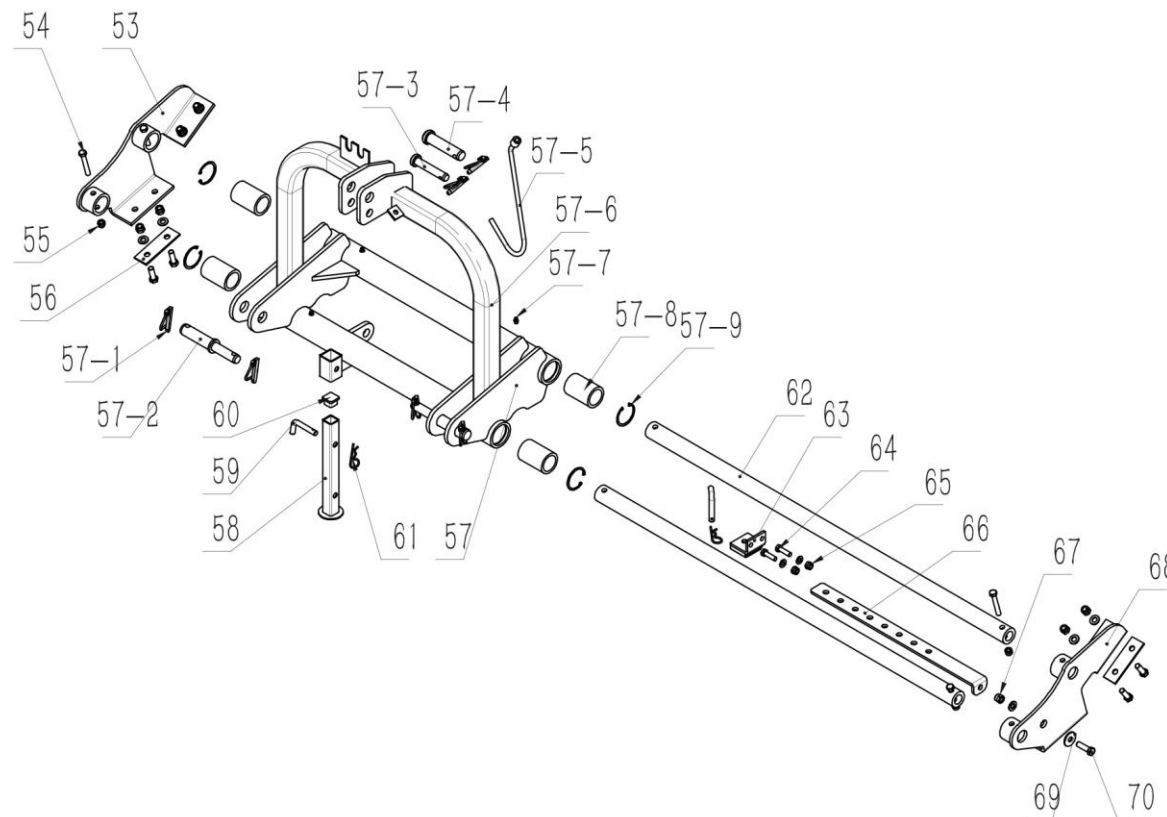
www.p-lindberg.dk

e-mail: salg@p-lindberg.dk

Pos	Varenr / item no	Varenavn	Item name	OE	stk/pcs
41	9050206	Møtrik, M6	NUT M6	B-G00889A-6	1
42	N/A	Remskærm, 105cm & 155cm	BELT COVER WELDMENT	NBM155PL.7A	1
42	N/A	Remskærm, 175cm	BELT COVER WELDMENT	NBM175.7DM	1
43	N/A	Bolt, M12x150	BOLT M12*150	B-G057820-12*150	1
44	N/A	Beskyttelsescover, 105cm & 155cm	BELT COVER GUARD	NBM155S.25A	1
44	N/A	Beskyttelsescover. 175cm	BELT COVER GUARD	NBM175.25A	1
45	N/A	Bolt, M8x25	BOLT M8*25	B-G057830-8*25	2
71	N/A	Bøsning	SPRING PAD 8	B-G000930-8	2

FIGUR 3

AHEAD NBM 105, 155, 175 2nd Generation



Kontakt  
 Tlf Salgsafdeling: 7021 2626  
 Tlf Teknisk support: 7696 2326

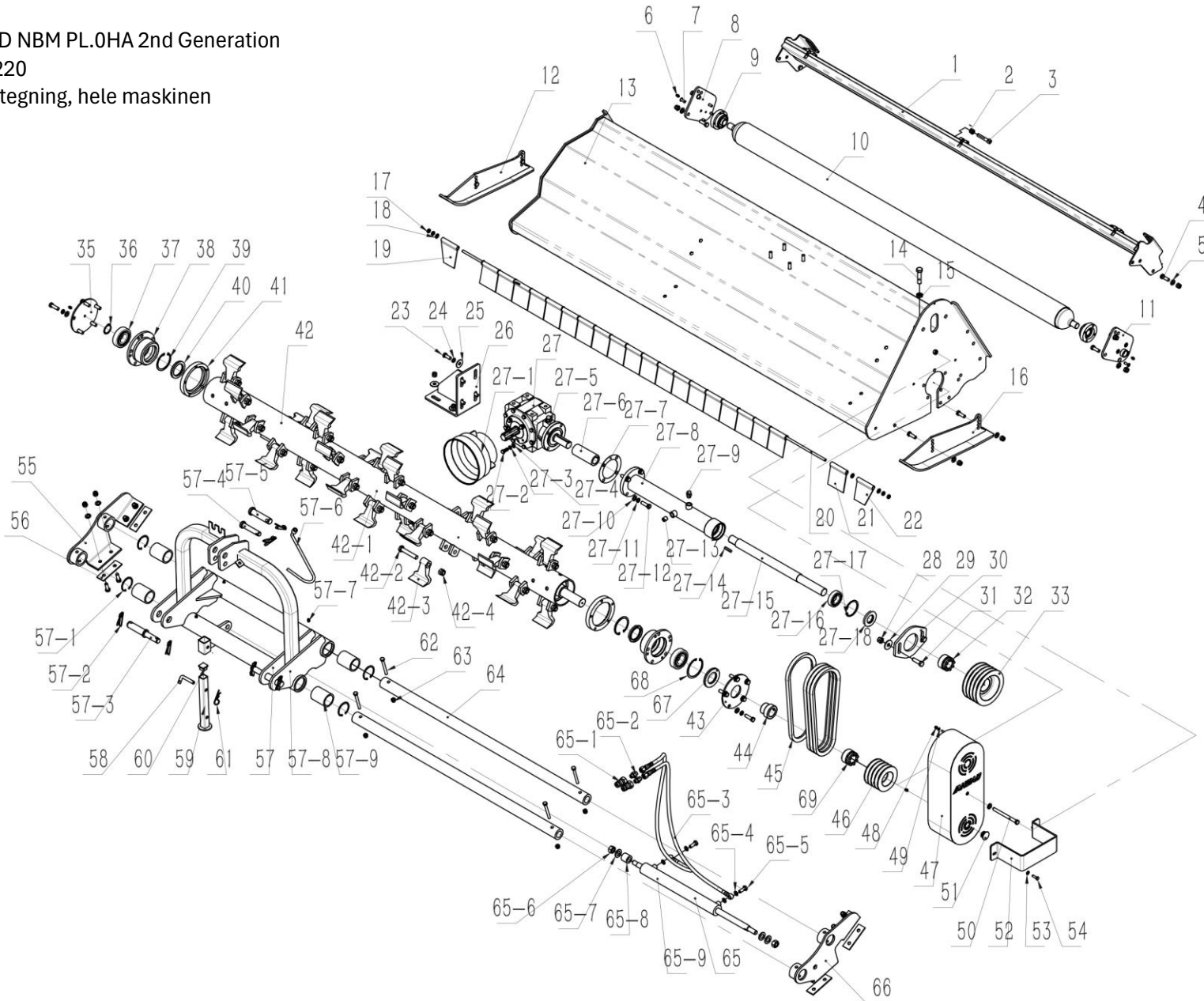
P. Lindberg A/S  
 Sdr. Ringvej 1  
 DK - 6600 Vejen

AHEAD NBM 2nd Gen. DKV1  
 www.p-lindberg.dk  
 e-mail: salg@p-lindberg.dk

## DELE TIL FIG 3

Pos	Varenr / item no	Varenavn	Item name	OE	stk/pcs
53	9076154	Venstre sidedæksel	LEFT CONNECTING FRAME PARTS	NBM175CR.29	1
54	N/A	Bolt, M10x75	BOLT M10*75	B-G057820-10*75	4
55	9050215	Låsemøtrik, M10	LOCK NUT M10	B-G00889A-10	4
56	N/A	Beslag	SPLINT	EFGC175.16	4
57	N/A	Ophæng, komplet	UPPER SUSPENSION ASSEMBLY	NBM175PL.2A	1
57-1	N/A	Låsebolt	LOCK PIN 10	B-G043290-10	6
57-2	N/A	Splitbolt	LOWER SUSPENSION PIN	NBM175D.30	2
57-3	N/A	Splitbolt	UPPER SUSPENSION PIN	NCM175.17	1
57-4	N/A	Splitbolt	UPPER SUSPENSION PIN	VBM140.109	1
57-5	9068150	Krog	HOOK UP	EFGC175.34	1
57-6	N/A	Ophæng	UPPER SUSPENSION WELDMENT	NBM175PL.2.1A	1
57-7	N/A	Smørenippel, M8x1-304	OIL CUP M8*1-304	B-J07940A-8*1A	4
57-8	9064053	Nylonbøsning	NYLON SLEEVE	NBM175.2-2	4
57-9	N/A	Låsering, 55	RETAINING RING 55	B-G00893A-55	4
58	9068151	Støtteben	SUPPORT LEG WELDMENT	EFGC175.23	1
59	N/A	Låsepal for støtteben	SUPPORT FOOT LATCH	EFGC175.37	2
60	9068174	Firkantet plasticprop	SQUARE RUBBER COVER 30	W-08-F30	1
61	N/A	Hårnålesplit, 3.2	R PIN 3.2	EFGC125.110	2
62	9073635	Gliderør, 105cm	SLIDE RAILS	EFGCH105.108	2
62	9073636	Gliderør, 155cm & 175cm	SLIDE RAILS	EFGCH125.108	2
63	N/A	Låsebeslag	MECHANICAL POSITIONING PARTS	NBM175CR.35	1
64	N/A	Bolt, M10x35	BOLT M10*35	B-G057830-10*35	2
65	9050208	Møtrik, M10	NUT M10	B-G00889A-10	2
66	N/A	Låsearm for sideforskydning	MECHANICAL POSITIONING HOLE PLATE	NBM175CR.36	1
67	9050209	Møtrik, M12	NUT M12	B-G00889A-12	1
68	9076155	Højre sidedæksel	RIGHT CONNECTING FRAME PARTS	NBM175CR.28	1
69	N/A	Stor planskive, Ø12	ENLARGE FLAT WASHER 12	B-G000960-12	1
70	N/A	Bolt, M12x40	BOLT M12*40	B-G057830-12*40	1

AHEAD NBM PL.0HA 2nd Generation  
 200, 220  
 - Splittegning, hele maskinen

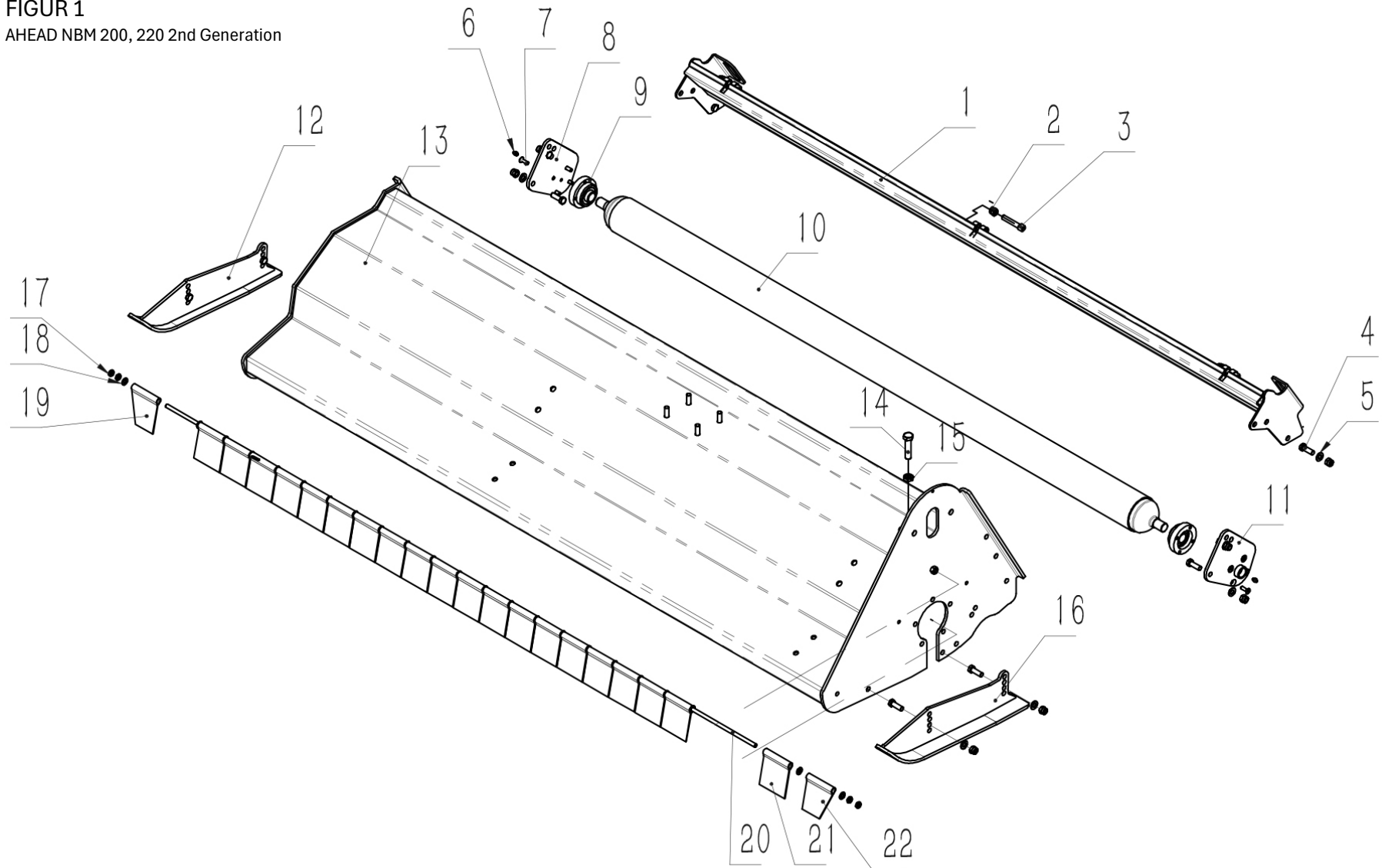


Kontakt  
 Tlf Salgsafdeling: 7021 2626  
 Tlf Teknisk support: 7696 2326

P. Lindberg A/S  
 Sdr. Ringvej 1  
 DK - 6600 Vejen

AHEAD NBM 2nd Gen. DKV1  
 www.p-lindberg.dk  
 e-mail: salg@p-lindberg.dk

FIGUR 1  
AHEAD NBM 200, 220 2nd Generation

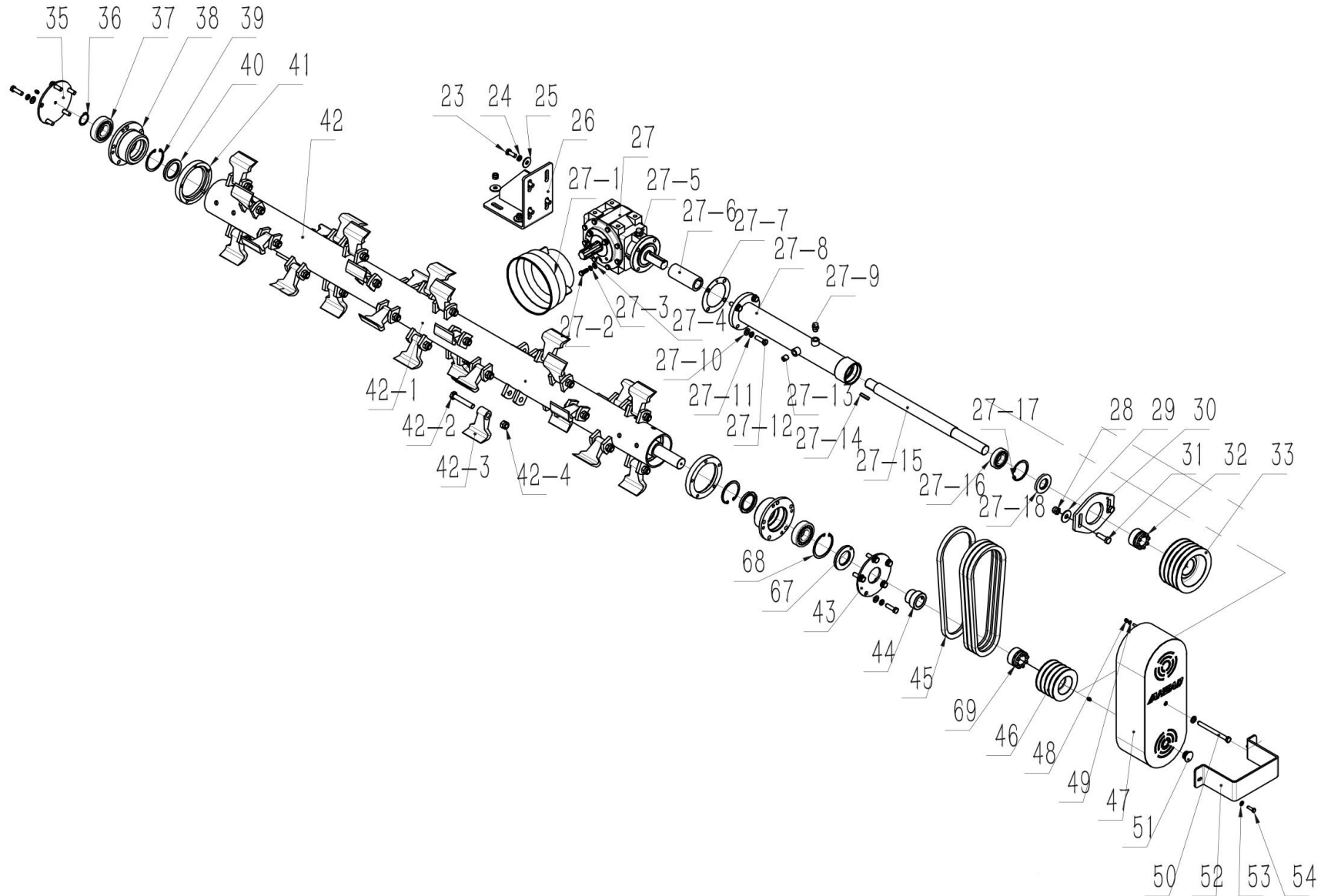


## DELE TIL FIG 1

Pos	Varenr / item no.	Varenavn	Item name	OE	stk/pcs
1	N/A	Bagklap, 200cm	BACK COVER WELDING PARTS	NBM200PL.3A	1
1	N/A	Bagklap, 220cm	BACK COVER WELDING PARTS	NBM220PL.3A	1
2	9050216	Låsemøtrik, M12	LOCK NUT M12	B-G00889A-12	25
3	N/A	Bolt, M12x70	HEXAGON SOCKET BOLT M12*70	B-G00070A-12*70	3
4	N/A	Bolt, M12x35	BOLT M12*35	B-G057830-12*35	17
5	9050204	Planskive, Ø12	WASHER 12	B-G00097A-12	29
6	N/A	Smørenippel, M8x1	STRAIGHT-THROUGH GREASE NIPPLE M8*1	B-J07940A-8*1A	4
7	N/A	Skrue m/undersænket hoved M8x25	HEXAGON COUNTERSUNK SCREW M8*25	B-G00070C-8*25	8
8	N/A	Lejeholder for bagrulle, højre	REAR ROLLER RIGHT CONNECTION PLATE	NBM105PL.31A	1
9	9044336	Løst leje, UC205	UC205 BEARING	EFGC175.19B	2
10	9068157	Bagrulle, 200cm	ROLLER WELDING PARTS	NBM200S.12	1
10	9068158	Bagrulle, 220cm	ROLLER WELDING PARTS	NBM220S.12	1
11	N/A	Lejeholder for bagrulle, venstre	REAR ROLLER LEFT CONNECTION PLATE	NBM105PL.13A	1
12	9068121	Slæbesko, venstre	LEFT SKID	NBM175.4	1
13	N/A	Slaglekasse, 200cm	HOOD DECK WELDED PARTS	NBM200PL.1A	1
13	N/A	Slaglekasse, 220cm	HOOD DECK WELDED PARTS	NBM220PL.1A	1
14	N/A	Bolt, M16x1,5x50	BOLT M16*1.5*50	B-G057860-16*1.5*50	1
15	N/A	Møtrik (tynd), M16x,15	THIN NUT M16*1.5	B-G061730-M16*1.5	1
16	9068122	Slæbesko, højre	RIGHT SKID	NBM175.5	1
17	9050208	Møtrik, M10	NUT M10	B-G06172A-10	4
18	9050203	Planskive, Ø10	FLAT WASHER 10	B-G00097A-10	23
19	9068144	Flap, venstre	WIDE BAFFLE LEFT	EF100.00.122A	1
20	9068159	Aksel for flaps, 200cm	BAFFLE HANGING ROD	NBM200S.19	1
20	9068160	Aksel for flaps, 220cm	BAFFLE HANGING ROD	NBM220S.19	1
21	9068146	Flap, midte, 200cm	WIDE BAFFLE	EF100.00.122	18
21	9068146	Flap, midte, 220cm	WIDE BAFFLE	EF100.00.122	20
22	9068145	Flap, højre	WIDE BAFFLE RIGHT	EF100.00.122B	1

FIGUR 2

AHEAD NBM 200, 220 2nd Generation



Kontakt  
 Tlf Salgsafdeling: 7021 2626  
 Tlf Teknisk support: 7696 2326

P. Lindberg A/S  
 Sdr. Ringvej 1  
 DK - 6600 Vejen

AHEAD NBM 2nd Gen. DKV1  
 www.p-lindberg.dk  
 e-mail: salg@p-lindberg.dk

## DELE TIL FIG 2

Pos	Varenr / item no.	Varenavn	Item name	OE	stk/pcs
23	N/A	Bolt, M12x30	<i>BOLT M12*30</i>	B-G057830-12*30	4
24	9050204	Planskive, Ø12	<i>WASHER 12</i>	B-G000930-12	14
25	N/A	Stor skærmskive, Ø12	<i>ENLARGE FLAT WASHER 12</i>	B-G000960-12	8
26	N/A	Beslag for gearkasse	<i>GEAR BOX SEAT WELDING PARTS</i>	EFGC175.14	1
27	N/A	Gearkasse, komplet	<i>TRANSMISSION ASSEMBLY</i>	NBM200S.9	1
27-1	9043079	PTO-skærm for vinkelgear	<i>PTO COVER</i>	FM150.120	1
27-2	N/A	Bolt, M10x25	<i>BOLT M10*25</i>	B-G057830-10*25	4
27-3	9050203	Planskive, Ø10	<i>WASHER 10</i>	B-G000930-10	4
27-4	N/A	Skive, Ø10	<i>WASHER 10</i>	B-G00097A-10	4
27-5	9068161	CMR vinkelgear	<i>GEARBOX CMR 50HP SL1118100100X</i>	W-01-T10-101-50X	1
27-6	9064044	Trækmuffe	<i>CONNECTING SLEEVE</i>	EFGC175.9-2	1
27-7	9068125	Pakning ved vinkelgear	<i>GASKET</i>	EFGC175.9-1	1
27-8	9068162	Akselrør, 200cm & 220cm	<i>TRANSMISSION TUBE WELDING PARTS</i>	NBM200S.9.4	1
27-9	9068098	Udlufterbolt	<i>BREATH SCREW PLUG ZG3/8"-19</i>	EFGC175.10	1
27-10	N/A	Skive, Ø12	<i>WASHER 12</i>	B-G00097A-12	4
27-11	9050204	Planskive, Ø12	<i>WASHER 12</i>	B-G000930-12	4
27-12	N/A	Skrue, M12x40	<i>SCREW M12*40</i>	B-G00070A-12*40	4
27-13	N/A	Prop	<i>SCREW PLUG NPT3/8</i>	B-J044460-NPT3/8	1
27-14	9045105	Kile, 10x40	<i>KEY 10*40</i>	B-G010960-10*40	1
27-15	N/A	Aksel	<i>SHAFT</i>	NBM200.9-3	1
27-16	9038580	Kugleleje, 6207-2Rz	<i>BEARING 6207-2RZ</i>	B-G002760-6207-2RZ	1
27-17	9068164	Låsering, 72	<i>RETAINING RING 72</i>	B-G00893A-72	1
27-18	9068165	Pakdåse, 35x72x8	<i>OIL SEAL FB35*72*8</i>	B-G13871A-FB35*72*8	1
28	9041419	Låsemøtrik, M14	<i>LOCK NUT M14</i>	B-G00889A-14	2
29	N/A	Stor skærmskive, Ø14	<i>ENLARGE FLAT WASHER 14</i>	B-G000960-14	2
30	9073484	Remstrammer	<i>TENSION PLATE</i>	EFGC175.29	1
31	N/A	Bolt, M14x45	<i>BOLT M14*45</i>	B-G057830-14*45	2
32	9064051	Taperlock, 35x60	<i>POWER LOCK Z3-35*60</i>	B-J7934Z3-35*60	1
33	9068140	Remskive, stor	<i>BIG PULLEY</i>	EFGC175.31	1
34	N/A	Bolt, M12x40	<i>BOLT M12*40</i>	B-G057830-12*40	10
35	9070903	Endestykke / cover for leje	<i>COVER WELDING PARTS</i>	VBM220.33	1

Kontakt

Tlf Salgsafdeling: 7021 2626

Tlf Teknisk support: 7696 2326

P. Lindberg A/S

Sdr. Ringvej 1

DK – 6600 Vejen

AHEAD NBM 2nd Gen. DKV1

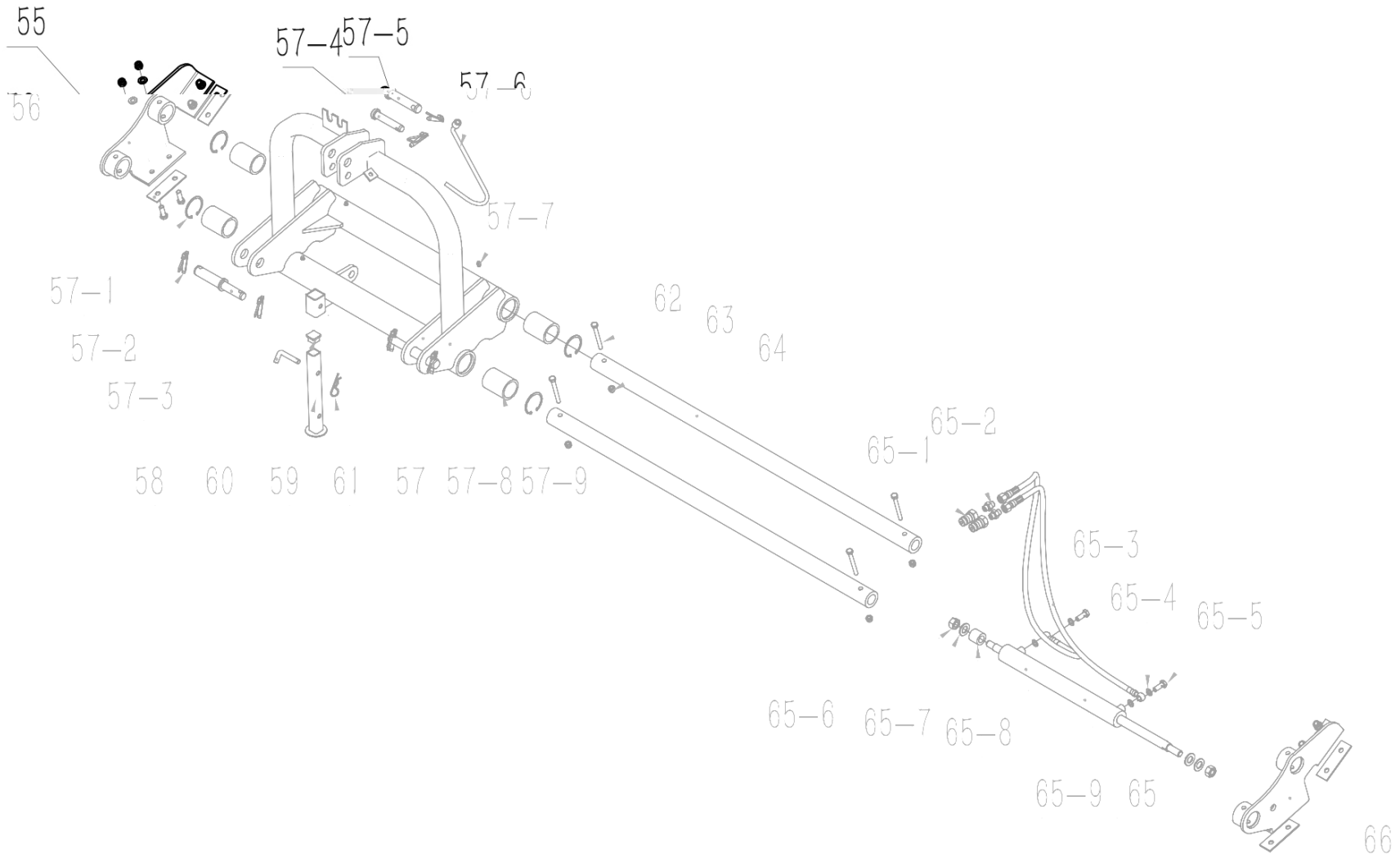
www.p-lindberg.dk

e-mail: salg@p-lindberg.dk

Pos	Varenr / item no.	Varenavn	Item name	OE	stk/pcs
36	N/A	Låsering, 40	RETAINING RING 40	B-G00894A-40	1
37	9068168	Leje, 1308	BEARING 1308	B-G002810-1308	2
38	9068175	Lejehus	EXTERNAL BEARING SEAT	VBM220.34	2
39	N/A	Låsering, 80	RETAINING RING 80	B-G00893A-80	2
40	9068090	Pakdåse, 55x80x8	OIL SEAL 55X80X8	B-G13871A-FB55*80*8	2
41	N/A	Beskyttelsesring for leje	ANTI-GRASS RING	NBM220.16IM	2
42	9068166	Komplet aksel med slagler, 200cm	ROTOR ASSEMBLY	NBM200.8A	1
42	9068167	Komplet aksel med slagler, 220cm	ROTOR ASSEMBLY	NBM220.8A	1
42-1	N/A	Hovedaksel, 200cm	ROTOR WELDED PARTS	NBM200.8IM	1
42-1	N/A	Hovedaksel, 220cm	ROTOR WELDED PARTS	NBM220.8IM	1
42-2	N/A	Bolt, M16x1,5x90	BOLT M16X1,5X90	B-G057850-16*1.5*90	28
42-2	N/A	Bolt, M16x1,5x90	BOLT M16X1,5X90	B-G057850-16*1.5*90	30
42-3	N/A	Møtrik, M16x1,5	NUT M16X1,5	B-G00889B-16*1.5	28
42-3	N/A	Møtrik, M16x1,5	NUT M16X1,5	B-G00889B-16*1.5	30
42-4	9064047	Slagle, 90mm, 200cm	HAMMER	NBM175.30	28
42-4	9064047	Slagle, 90mm, 220cm	HAMMER	NBM175.30	30
43	N/A	Cover	TRANSPARENT COVER 02	VBM220.36	1
44	9068186	Bøsning	OIL SEAL	VBM220.37	1
45	9073443	Kilerem, XPB1016	V-BELT XPB1016	B-G127300-XPB1016	4
46	9068171	Remskive, lille	SMALL PULLEY	NBM220.47IM	1
47	N/A	Remkasse	PULLEY COVER WELDMENT	NBM220.7DM	1
48	9050206	Møtrik, M6	NUT M6	B-G00889A-6	1
49	9050197	Planskive, Ø6	WASHER 6	B-G00097A-8	1
50	N/A	Bolt, M12x150	BOLT M12*150	B-G057820-12*150	1
51	N/A	Gummicover, rundt	25 RUBBER COVER	W-08-Y25	1
52	9068173	Remskærm	PULLEY COVER GUARD	NBM220S.25	1
53	N/A	Fladskive	FLAT PAD 8	B-G00097A-8	2
54	N/A	Bolt, M8x25	BOLT M8*25	B-G057830-8*25	2
67	9068169	Pakdåse, 50x90x8	OIL SEAL 50X90X8	B-G13871A-FB50*90*8	1
68	N/A	Låsering, 90	RETAINING RING 90	B-G00893A-90	1
69	9043095	Taperlock, 40x65	POWER LOCK Z3-40*65	B-J7934Z3-40*65	1

FIGUR 3

AHEAD NBM 200, 220 2nd Generation



Kontakt  
 Tlf Salgsafdeling: 7021 2626  
 Tlf Teknisk support: 7696 2326

P. Lindberg A/S  
 Sdr. Ringvej 1  
 DK - 6600 Vejen

AHEAD NBM 2nd Gen. DKV1  
 www.p-lindberg.dk  
 e-mail: salg@p-lindberg.dk

## DELE TIL FIG 3

Pos	Varenr / item no.	Varenavn	Item name	OE	stk/pcs
55	N/A	Venstre sidedæksel	LEFT CONNECTING FRAME PARTS	NBM200S.29	1
56	N/A	Beslag	SPLINT	EFGC175.16	4
57	N/A	Ophæng, komplet	UPPER SUSPENSION ASSEMBLY	NBM200PL.2A	1
57-1	N/A	Låsering, 55	RETAINING RING 55	B-G00893A-55	4
57-2	N/A	Låsebolt	LOCK PIN 10	B-G043290-10	6
57-3	N/A	Splitbolt	LOWER SUSPENSION PIN	NBM175D.30	2
57-4	N/A	Splitbolt	UPPER SUSPENSION PIN	NCM175.17	1
57-5	N/A	Splitbolt	UPPER SUSPENSION PIN	VBM140.109	1
57-6	9068150	Krog	HOOK UP	EFGC175.34	1
57-7	N/A	Smørenippel, M8x1-304	OIL CUP M8*1-304	B-J07940A-8*1A	4
57-8	N/A	Ophæng	UPPER SUSPENSION WELDMENT	NBM175PL.2.1A	1
57-9	9064053	Nylonbøsning	NYLON SLEEVE	NBM175.2-2	4
58	N/A	Låsepal for støtteben	SUPPORT FOOT LATCH	EFGC175.37	1
59	9068151	Støtteben	SUPPORT LEG WELDMENT	EFGC175.23	1
60	9068174	Firkantet plasticprop	SQUARE RUBBER COVER 30	W-08-F30	1
61	N/A	Hårnålesplit, 3.2	R PIN 3.2	EFGC125.110	1
62	N/A	Bolt, M10x90	BOLT M10*90	B-G057820-10*90	4
63	9050215	Låsemøtrik, M10	LOCK NUT M10	B-G00889A-10	4
64	9073486	Langt gliderør	LONG SLIDE RAIL	KDK140.19	2
65	9068152	Hydraulik kit, komplet, 200cm & 220cm	HYDRAULIC COMPONENTS	NBM200S.46	1
65-1	N/A	Lynkobling	QUICK-CHANGE MALE CONN. G1/2	B-G058620-L-G1/2	2
65-2	N/A	Kobling	END STRAIGHT CONN. G1/2-M14*1.5	W-05-GE08LR1/2ED	2
65-3	9068148	Hydraulikslange	OIL PIPE (EXTENDED)	EFGCH125.012	2
65-4	N/A	Skive	COMBINATION WASHER 12	B-J009820-12	4
65-5	N/A	Hængselbolt, M12x1,25x30	HINGE BOLT M12*1.25*30	B-J009990-12*1.25*30	2
65-6	N/A	Møtrik, M18x1,5	NUT M18*1.5	B-G061730-M18*1.5	3
65-7	N/A	Skive, Ø18	WASHER 18	B-G00097A-18	3
65-8	N/A	Bøsning / afstandsstykke	SPACER	EFGCH125.101	1
65-9	N/A	Cylinder til sideforskydning	SLIDING CYLINDER	EFGCH125.011	1
66	N/A	Højre sidedæksel	RIGHT CONNECTING FRAME PARTS	NBM200S.28	1

*Ej illustreret – Servicekit*

**Servicekit til NBM105 & NBM155**

Sættet består af:

5 x slagler, 90 mm

5 x bolte, M16x90

5 x låsemøtrikker, M16

2 x fedtpatroner, Mobilgrease

3 x kileremme, XPB991

**Bestil varenr 9073479**

**Servicekit til NBM175**

Sættet består af:

5 x slagler, 90 mm

5 x bolte, M16x90

5 x låsemøtrikker, M16

2 x fedtpatroner, Mobilgrease

4 x kileremme, XPB991

**Bestil varenr 9073480**

**Servicekit til NBM200 & NBM220**

Sættet består af:

5 x slagler, 90 mm

5 x bolte, M16x90

5 x låsemøtrikker, M16

2 x fedtpatroner, Mobilgrease

4 x kileremme, XPB1016

**Bestil varenr 9073481**

*Vi forbeholder os ret til uden foregående varsel at ændre de tekniske parametre og specifikationer for dette produkt*

Kontakt

Tlf Salgsafdeling: 7021 2626

Tlf Teknisk support: 7696 2326

P. Lindberg A/S

Sdr. Ringvej 1

DK – 6600 Vejen

AHEAD NBM 2nd Gen. DKV1

[www.p-lindberg.dk](http://www.p-lindberg.dk)

e-mail: [salg@p-lindberg.dk](mailto:salg@p-lindberg.dk)