

ROTH JORDFRÄS MED STENLÄGGARE

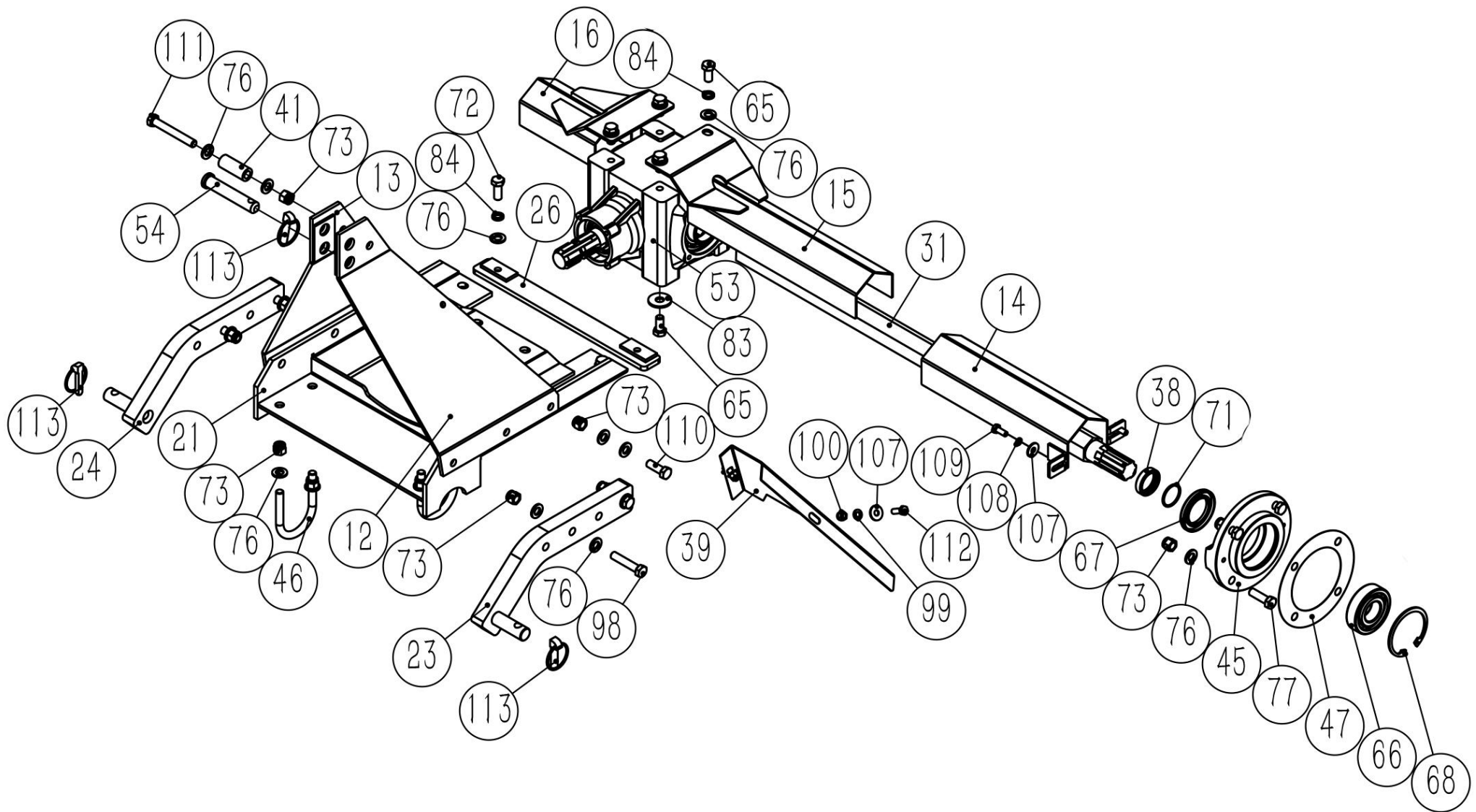
125 CM + 165 CM



ROTH

RESERVDLSKATALOG TILL
9074809 (125 CM) +9074810 (165 CM)

FIGUR 1



Kontakt
 Order: 010-2097050
 Teknisk support: 010-2097050

P. Lindberg
 Myrangatan 4
 745 37 Enköping

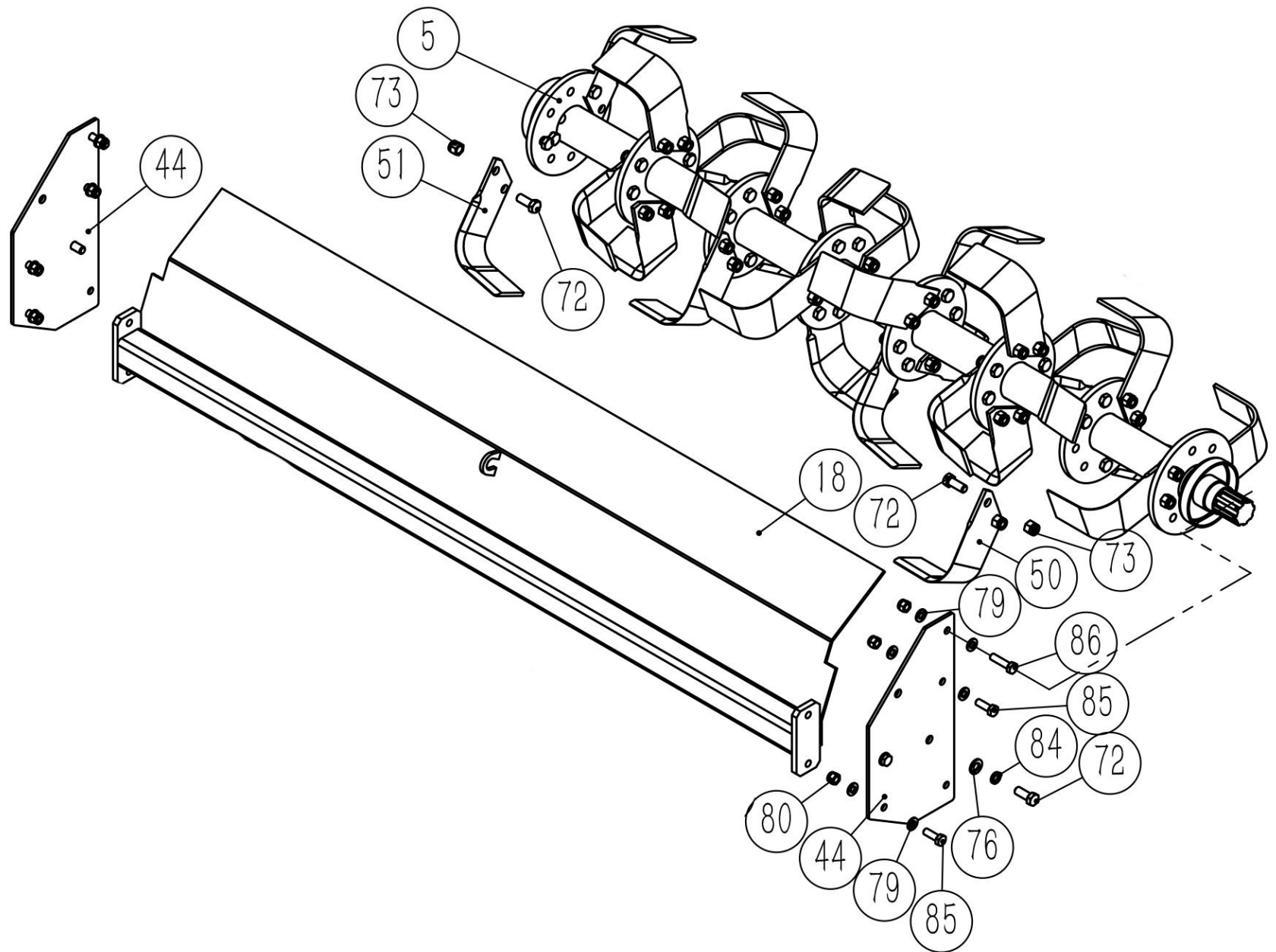
ROTH Jordfräs
 www.p-lindberg.se
 e-mail: order@p-lindberg.se

DELAR TILL FIG 1

| Pos | Art. | Varunamn | Item name | OE | st/pcs |
|-----|---------|------------------------|-------------------------------------|--------------------|--------|
| 12 | N/A | | SUSPENSION PLATE (RIGHT) | STB145.022 | 1 |
| 13 | N/A | | SUSPENSION PLATE (LEFT) | STB145.023 | 1 |
| 14 | N/A | | PROTECTIVE GUARD 1 | STB145.024 | 1 |
| 15 | N/A | | PROTECTIVE GUARD 2 | STB145.025 | 1 |
| 16 | N/A | | PROTECTIVE GUARD 3 | STB145.026 | 1 |
| 21 | N/A | | GEARBOX BRACKET | STB145.031 | 1 |
| 23 | 9075263 | Lyft fjädring vänster | LOWER SUSPENSION ARM (LEFT) | STB145.033 | 1 |
| 24 | 9075266 | Lyft fjädring höger | LOWER SUSPENSION ARM (RIGHT) | STB145.034 | 1 |
| 26 | N/A | | MOUNTING PLATE | STB145.036 | 1 |
| 31b | 9075267 | Kugghjulsaxel STB 125 | TRANSMISSION SHAFT STB125 (9074809) | STB125.104 | 1 |
| 31d | 9075268 | Kugghjulsaxel STB 165 | TRANSMISSION SHAFT STB165 (9074810) | STB165.104 | 1 |
| 38 | 9075269 | Distansring | SPACER | STB145.111 | 1 |
| 39 | N/A | | SUSPENSION CONNECTING PLATE | STB145.112 | 1 |
| 41 | N/A | | SLEEVE | STB145.114 | 1 |
| 45 | 9075270 | Lagerskål | BEARING SEAT | STB145.118 | 1 |
| 46 | N/A | | U-BOLT M12 | STB145.119 | 2 |
| 47 | 9075271 | Packning | PAPER MAT | STB145.120 | 1 |
| 53 | 9075272 | Växellåda | GEAR BOX | 01.67241.4 | 1 |
| 54 | N/A | | UPPER HANGING PIN | EFGC175-110 | 1 |
| 65 | N/A | | HEXAGON BOLT M12X25 | GB5783-M12X25 | 9 |
| 66 | 9038587 | Kullager 6307 | BEARING 6307 | GB276-6307 | 1 |
| 67 | 9075273 | Gland 45x72x8 | OIL SEAL 45x72x8 | GB13871.1- | 1 |
| 68 | 9048903 | Klipsring invändig Ø80 | CIRCLIPS FOR HOLE 80 | GB893.2-80 | 1 |
| 71 | 9075274 | O-ring 34,5x2,65 | O RING 34.5x2.65 | GB3452.1-34.5X2.65 | 1 |
| 72 | N/A | | HEXAGON BOLT M12X30 | GB5783-M12x30 | 61 |
| 73 | N/A | | NYLON NUT M12 | GB889.1-M12 | 81 |
| 76 | N/A | | PLAIN WASHER 12 | GB97.1-12 | 46 |
| 77 | N/A | | HEXAGON BOLT M12x40 | GB5783-M12x40 | 8 |
| 83 | N/A | | BIG PLIAN WASHER 12 | GB96.2-12 | 6 |
| 84 | N/A | | SPRING WASHER 12 | GB93-12 | 10 |
| 98 | N/A | | HEXAGON BOLT M12x60 | GB5783-M12x60 | 7 |

| Pos | Art. | Varunamn | Item name | OE | st/pcs |
|-----|------|----------|----------------------------|---------------|--------|
| 99 | N/A | | <i>PLAIN WASHER 8</i> | GB97.1-8 | 38 |
| 100 | N/A | | <i>NYLON LOCK NUT M8</i> | GB889.1-M8 | 20 |
| 107 | N/A | | <i>BIG PLAIN WASHER 8</i> | GB96.2-8 | 4 |
| 108 | N/A | | <i>SPRING WASHER 8</i> | GB93-8 | 2 |
| 109 | N/A | | <i>HEXAGON BOLTS M8x20</i> | GB5783-M8x20 | 2 |
| 110 | N/A | | <i>HEXAGON BOLT M12X35</i> | GB5783-M12x35 | 2 |
| 111 | N/A | | <i>HEXAGON BOLT M12x90</i> | GB5783-M12x90 | 1 |
| 112 | N/A | | <i>HEXAGON BOLT M8X25</i> | GB5783-M8x25 | 2 |
| 113 | N/A | | <i>SAFTY PIN 11</i> | TYJ-102 | 3 |

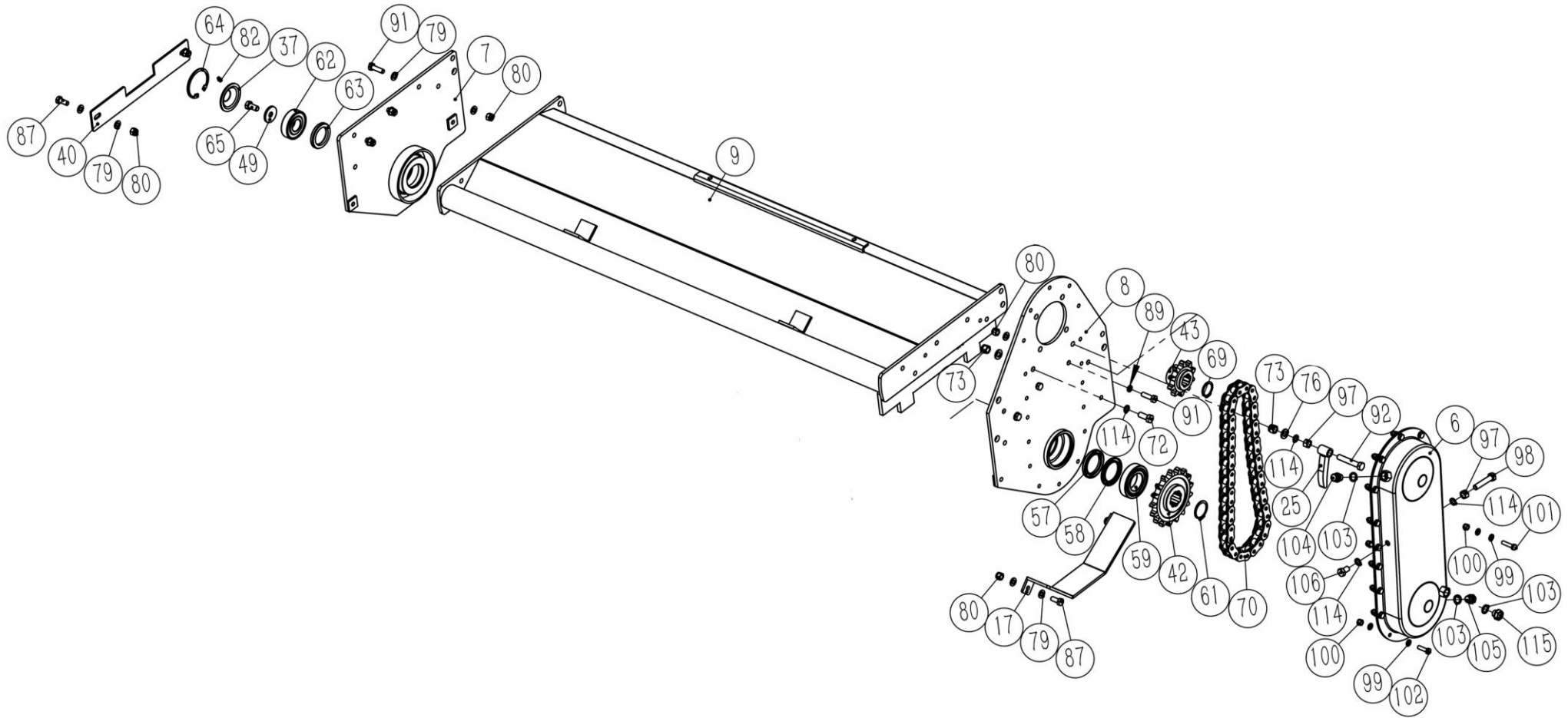
FIGUR 2



DELAR TILL FIG 2

| Pos | Art. | Varunamn | Item name | OE | st/pcs |
|-----|---------|--------------------------|--------------------------------------|---------------|--------|
| 5b | 9075275 | Knivaxel STB 125 | <i>BLADE AXLE STB125 (9074809)</i> | STB125.015 | 1 |
| 5d | 9075276 | Knivaxel STB 165 | <i>BLADE AXLE STB165 (9074810)</i> | STB165.015 | 1 |
| 18b | N/A | | <i>FRONT BAFFLE STB125 (9074809)</i> | STB125.028 | 1 |
| 18d | N/A | | <i>FRONT BAFFLE STB165 (9074810)</i> | STB165.028 | 1 |
| 44 | N/A | | <i>FRONT CONNECTING PLATE</i> | STB145.117 | 2 |
| 50 | 9075277 | Fräskniv vänster | <i>BLADE (LEFT)</i> | STB125.124 | 12/16 |
| 51 | 9075279 | Fräskniv höger | <i>BLADE (RIGHT)</i> | STB125.125 | 12/16 |
| 72 | 9075281 | Bult till fräskniv 12x30 | <i>HEXGAON BOLT M12X30</i> | GB5783-M12×30 | 61 |
| 73 | 9075282 | Mutter till fräskniv M12 | <i>NYLON NUT M12</i> | GB889.1-M12 | 81 |
| 76 | N/A | | <i>PLAIN WASHER 12</i> | GB97.1-12 | 46 |
| 79 | N/A | | <i>PLAIN WASHER 10</i> | GB97.1-10 | 48 |
| 80 | N/A | | <i>NYLON LOCK NUT M10</i> | GB889.1-M10 | 24 |
| 84 | N/A | | <i>SPRING WASHER 12</i> | GB93-12 | 10 |
| 85 | N/A | | <i>HEXAGON BOLT M10×30</i> | GB5783-M10×30 | 6 |
| 86 | N/A | | <i>HEXAGON BOLT M40×40</i> | GB5783-M10×40 | 2 |

FIGUR 3



Kontakt
 Order: 010-2097050
 Teknisk support: 010-2097050

P. Lindberg
 Myrangatan 4
 745 37 Enköping

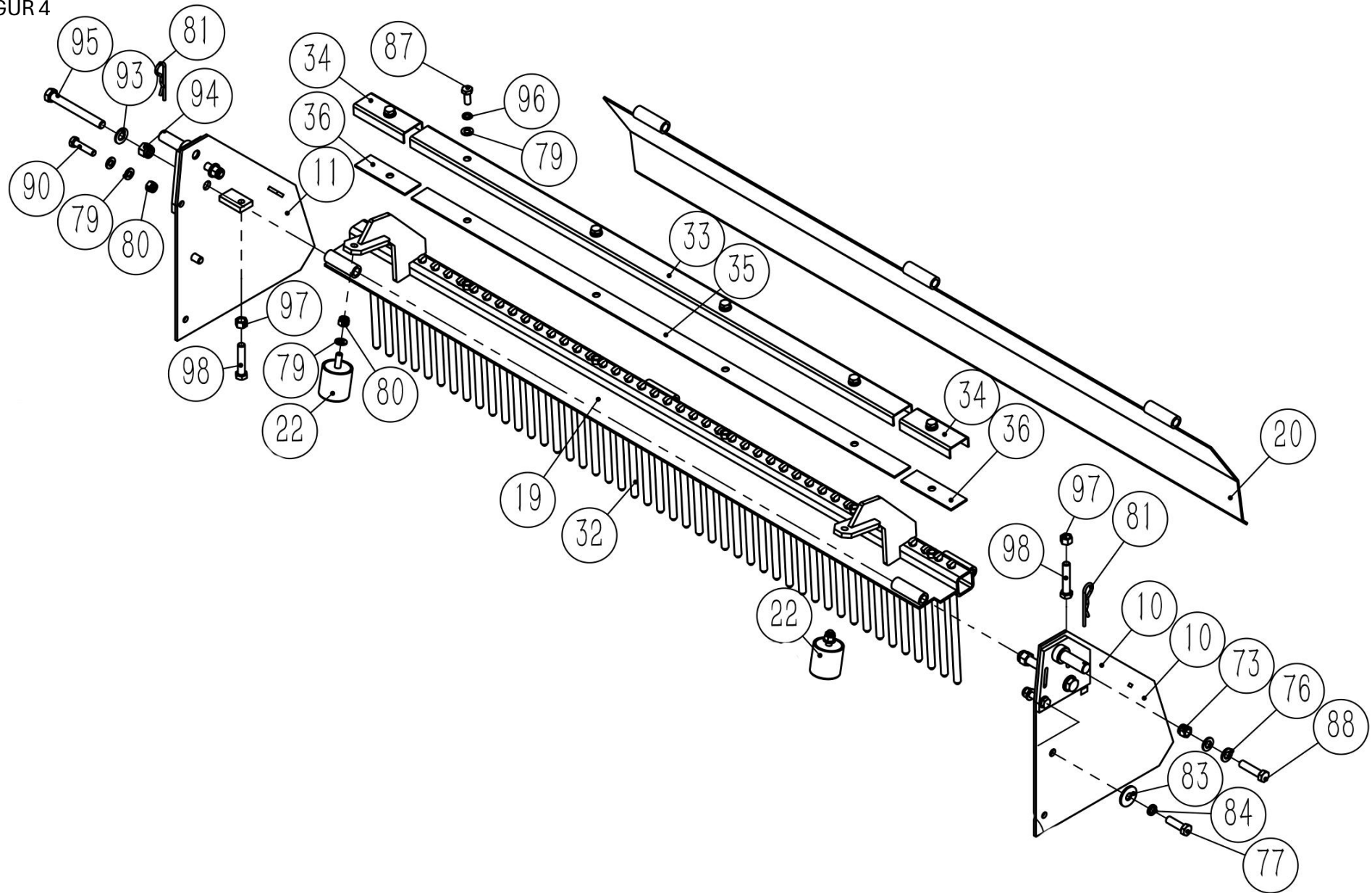
ROTH Jordfräs
 www.p-lindberg.se
 e-mail: order@p-lindberg.se

DELAR TILL FIG 3

| Pos | Art. | Varunamn | Item name | OE | st/pcs |
|-----|---------|--------------------------------|------------------------------|-------------------|--------|
| 6 | 9075283 | Kedjeskydd | CHAIN BOX | STB145.016 | 1 |
| 6a | 9075331 | Packning | GASKET FOR CHAINBOX | STB145.016-1 | 1 |
| 7 | N/A | | RIGHTSIDE PANEL | STB145.017 | 1 |
| 8 | N/A | | LEFTSIDE PANEL | STB145.018 | 1 |
| 9b | N/A | | COVER BOARD STB125 (9074809) | STB125.019 | 1 |
| 9d | N/A | | COVER BOARD STB165 (9074810) | STB145.019 | 1 |
| 25 | 9075286 | Spännare | TENSION PULLEY | STB145.035 | 1 |
| 37 | 9075287 | Endpropp | END CAP | STB145.110 | 1 |
| 40 | N/A | | SUPPORTING PLANK | STB145.113 | 1 |
| 42 | 9075288 | Kedjehjul | MAJOR SPROCKET WHEEL | STB145.115 | 1 |
| 43 | 9075289 | Kedjehjul | MINOR SPROCKET WHEEL | STB145.116 | 1 |
| 49 | N/A | | LOOSE WASHER | STB145.122 | 1 |
| 57 | 9075290 | Packbox 50x72x8 | OIL SEAL 50×72×8 | GB13871.1-50X72X8 | 1 |
| 58 | 9075291 | Packbox 50x72x5 | OIL SEAL 50×72×5 | GB13871.1-50X72X5 | 1 |
| 59 | 9075292 | Lager 6209 | BEARING 6209 | GB276-6209 | 1 |
| 61 | 9075293 | Låsring Ø42 | CIRCLIPS FOR SHAFT 42 | GB894.1-42 | 1 |
| 62 | 9038586 | Kullager 6306-2rs | BEARING 6306-2Z | GB/T 276-94 | 1 |
| 63 | 9075294 | Packbox 45x65x8 | OIL SEAL 45X65X8 | GB13871.1-45X65X8 | 1 |
| 64 | 9054800 | Låsring, indiv. Ø72 – vid axel | CIRCLIPS FOR HOLE 72 | GB893.2-72 | 1 |
| 65 | N/A | | HEXAGON BOLT M12X25 | GB5783-M12X25 | 9 |
| 69 | N/A | | CIRCLIPS FOR SHAFT 34 | GB894.1-34 | 1 |
| 70 | 9075301 | Drivkedja 16A-42 | CHAIN 16A-42 | GB1243-16A-42 | 1 |
| 72 | N/A | | HEXAGON BOLT M12X30 | GB5783-M12×30 | 61 |
| 73 | N/A | | NYLON NUT M12 | GB889.1-M12 | 81 |
| 76 | N/A | | PLAIN WASHER 12 | GB97.1-12 | 46 |
| 79 | N/A | | PLAIN WASHER 10 | GB97.1-10 | 48 |
| 80 | N/A | | NYLON LOCK NUT M10 | GB889.1-M10 | 24 |
| 82 | N/A | | GREASE NIPPLE M6 | JB7940.1-M6 | 1 |
| 87 | N/A | | HEXAGON BOLT M10X25 | GB5783-M10×25 | 10 |
| 89 | N/A | | BONDED WASHER 10 | JB982-10 | 2 |
| 91 | N/A | | HEXAGON BOLT M10×35 | GB5783-M10×35 | 6 |

| Pos | Art. | Varunamn | Item name | OE | st/pcs |
|-----|------|----------|-----------------------------|---------------|--------|
| 92 | N/A | | HEXAGON BOLT M12×70 | GB5783-M12×70 | 1 |
| 97 | N/A | | NUT M12 | GB6170-M12 | 4 |
| 98 | N/A | | HEXAGON BOLT M12×60 | GB5783-M12×60 | 7 |
| 99 | N/A | | PLAIN WASHER 8 | GB97.1-8 | 38 |
| 100 | N/A | | NYLON LOCK NUT M8 | GB889.1-M8 | 20 |
| 101 | N/A | | HEXAGON BOLT M8×35 | GB5783-M8×35 | 2 |
| 102 | N/A | | BOLT M8×30 | GB5783-M8×30 | 16 |
| 103 | N/A | | BONDED WASHER 16 | JB982-16 | 3 |
| 104 | N/A | | BREATHER PLUG M16×1.5 | TYJ-104 | 1 |
| 105 | N/A | | HEXAGON SCREW M16 | JB 1000-1977 | 1 |
| 106 | N/A | | HEXAGON BOLT M12×20 | GB5783-M12×20 | 1 |
| 114 | N/A | | BONDED WASHER 12 | JB982-12 | 4 |
| 115 | N/A | | HEXAGON OIL SIGHT GLASS M16 | GB1160-M16 | 1 |

FIGUR 4

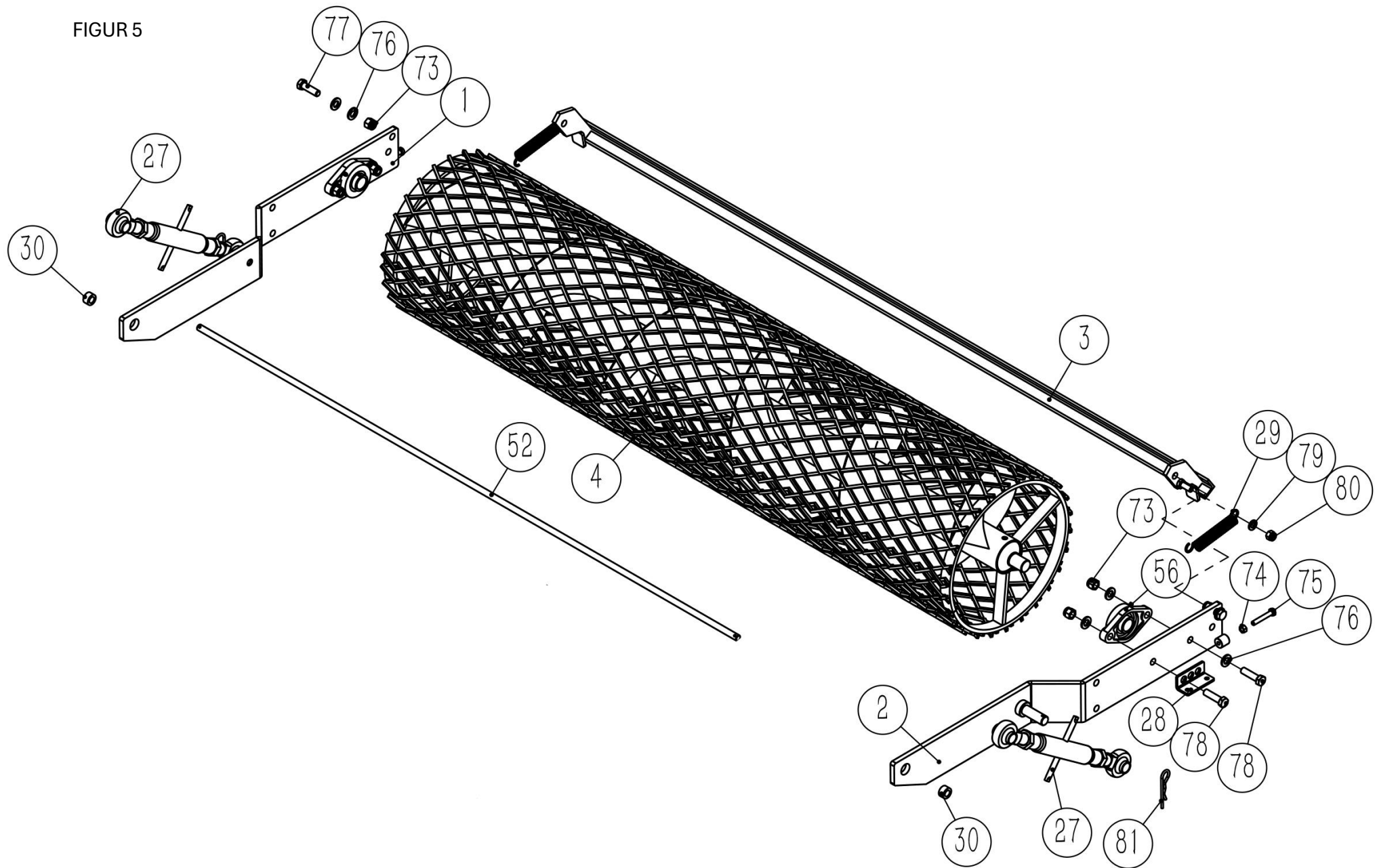


DELAR TILL FIG 4

| Pos | Art. | Varunamn | Item name | OE | st/pcs |
|-----|---------|-----------------------|------------------------------------|----------------|--------|
| 10 | N/A | | BACK CONNECTING PLATE (LEFT) | STB145.020 | 1 |
| 11 | N/A | | BACK CONNECTING PLATE (RIGHT) | STB145.021 | 1 |
| 19b | N/A | | BRACKET FOR TOOTH STB125 (9074809) | STB125.029 | 1 |
| 19d | N/A | | BRACKET FOR TOOTH STB165 (9074810) | STB165.029 | 1 |
| 20b | 9075304 | Bakskärm STB 125 | BACK BAFFLE STB125 (9074809) | STB125.030 | 1 |
| 20d | 9075306 | Bakskärm STB 165 | BACK BAFFLE STB165 (9074810) | STB165.030 | 1 |
| 22 | 9075308 | Gummidämpare | DAMPER | STB145.032 | 2 |
| 32 | 9075310 | Tand | TOOTH | STB125.105 | 39/52 |
| 33b | N/A | | LONG BOARD STB125 (9074809) | STB125.106 | 1 |
| 33d | N/A | | LONG BOARD STB165 (9074810) | STB165.106 | 1 |
| 34 | N/A | | BALLAST PLATE | STB145.107 | 2 |
| 35b | 9075313 | Gummipackning STB 125 | RUBBER PLATE 1 STB125 (9074809) | STB125.108 | 1 |
| 35d | 9075314 | Gummipackning STB 165 | RUBBER PLATE 1 STB165 (9074810) | STB165.108 | 1 |
| 36 | 9075315 | Gummipackning | RUBBER PLATE 2 | STB145.109 | 2 |
| 73 | N/A | | NYLON NUT M12 | GB889.1-M12 | 81 |
| 76 | N/A | | PLAIN WASHER 12 | GB97.1-12 | 46 |
| 77 | N/A | | HEXAGON BOLT M12×40 | GB5783-M12×40 | 8 |
| 79 | N/A | | PLAIN WASHER 10 | GB97.1-10 | 48 |
| 80 | N/A | | NYLON LOCK NUT M10 | GB889.1-M10 | 24 |
| 81 | N/A | | R PIN 4 | TYJ-101 | 4 |
| 83 | N/A | | BIG PLIAN WASHER 12 | GB96.2-12 | 6 |
| 84 | N/A | | SPRING WASHER 12 | GB93-12 | 10 |
| 87 | N/A | | HEXAGON BOLT M10X25 | GB5783-M10×25 | 10 |
| 88 | N/A | | HEXAGON BOLT M12×50 | GB5783-M12×50 | 2 |
| 89 | N/A | | BONDED WASHER 10 | JB982-10 | 2 |
| 90 | N/A | | HEXAGON BOLT M10×45 | GB5783-M10×45 | 2 |
| 93 | N/A | | PLAIN WASHER 14 | GB97.1-14 | 2 |
| 94 | N/A | | NYLON NUT M14 | GB889.1-M14 | 2 |
| 95 | N/A | | HEXAGON BOLT M14X120 | GB5782-M14×120 | 2 |
| 96 | N/A | | SPRING WASHER 10 | GB93-10 | 6 |
| 97 | N/A | | NUT M12 | GB6170-M12 | 4 |

| Pos | Art. | Varunamn | Item name | OE | st/pcs |
|-----|------|----------|---------------------|---------------|--------|
| 98 | N/A | | HEXAGON BOLT M12×60 | GB5783-M12×60 | 7 |

FIGUR 5



Kontakt
 Order: 010-2097050
 Teknisk support: 010-2097050

P. Lindberg
 Myrängatan 4
 745 37 Enköping

ROTH Jordfräs
 www.p-lindberg.se
 e-mail: order@p-lindberg.se

DELAR TILL FIG 5

| Pos | Art. | Varunamn | Item name | OE | st/pcs |
|-----|---------|----------------------------|---------------------------------------|-----------------|--------|
| 1 | 9075317 | Fäste för bakrulle höger | CONNECTING ARM RIGHT | STB145.011 | 1 |
| 2 | 9075320 | Fäste för bakrulle vänster | CONNECTING ARM LEFT | STB145.012 | 1 |
| 3b | 9075321 | Skrapa STB 125 | FRAME FOR REMOVING EARTH (9074809) | STB125.013 | 1 |
| 3d | 9075322 | Skrapa STB 165 | FRAME FOR REMOVING EARTH (9074810) | STB165.013 | 1 |
| 4b | 9075323 | Bakre rulle STB 125 | NETLIKE ROLLER STB125 (9074809) | STB125.014 | 1 |
| 4d | 9075324 | Bakre rulle STB 165 | NETLIKE ROLLER STB165 (9074810) | STB165.014 | 1 |
| 27 | 9075325 | Toppstång | ADJUSTING YOKE | STB145.037 | 2 |
| 28 | 9075326 | Fäste | FIXATION FOR SPRING | STB145.101 | 2 |
| 29 | 9075327 | Fjäder | EXTENSION SPRING | STB145.102 | 2 |
| 30 | N/A | | SLEEVE | STB145.103 | 2 |
| 52b | 9075328 | Stång STB 125 | REAR PROTECTING PLATE SHAFT (9074809) | STB125.126 | 1 |
| 52d | 9075329 | Stång STB 165 | REAR PROTECTING PLATE SHAFT (9074810) | STB165.126 | 1 |
| 56 | 9044319 | Flänslager UCFL 205 25mm | BEARING UCFL 205 25MM | GB7810-UCFLU205 | 1 |
| 73 | N/A | | NYLON NUT M12 | GB889.1-M12 | 81 |
| 74 | N/A | | NUT M8 | GB6170-M8 | 2 |
| 75 | N/A | | BOLT M8×50 | GB5783-M8×50 | 2 |
| 76 | N/A | | PLAIN WASHER 12 | GB97.1-12 | 46 |
| 77 | N/A | | HEXAGON BOLT M12×40 | GB5783-M12×40 | 8 |
| 78 | N/A | | HEXAGON BOLTS M12×45 | GB5783-M12×45 | 4 |
| 79 | N/A | | PLAIN WASHER 10 | GB97.1-10 | 48 |
| 80 | N/A | | NYLON LOCK NUT M10 | GB889.1-M10 | 24 |
| 81 | N/A | | R PIN 4 | TYJ-101 | 4 |

Vi förbehåller oss rätten att ändra de tekniska parametrarna och specifikationerna för denna produkt utan föregående meddelande.