



# CORE PTO BRÆNDEKLØVER

## - 10T MED STATIV, VANDRET, T/TRAKTOR

RESERVEDELSKATALOG TIL:

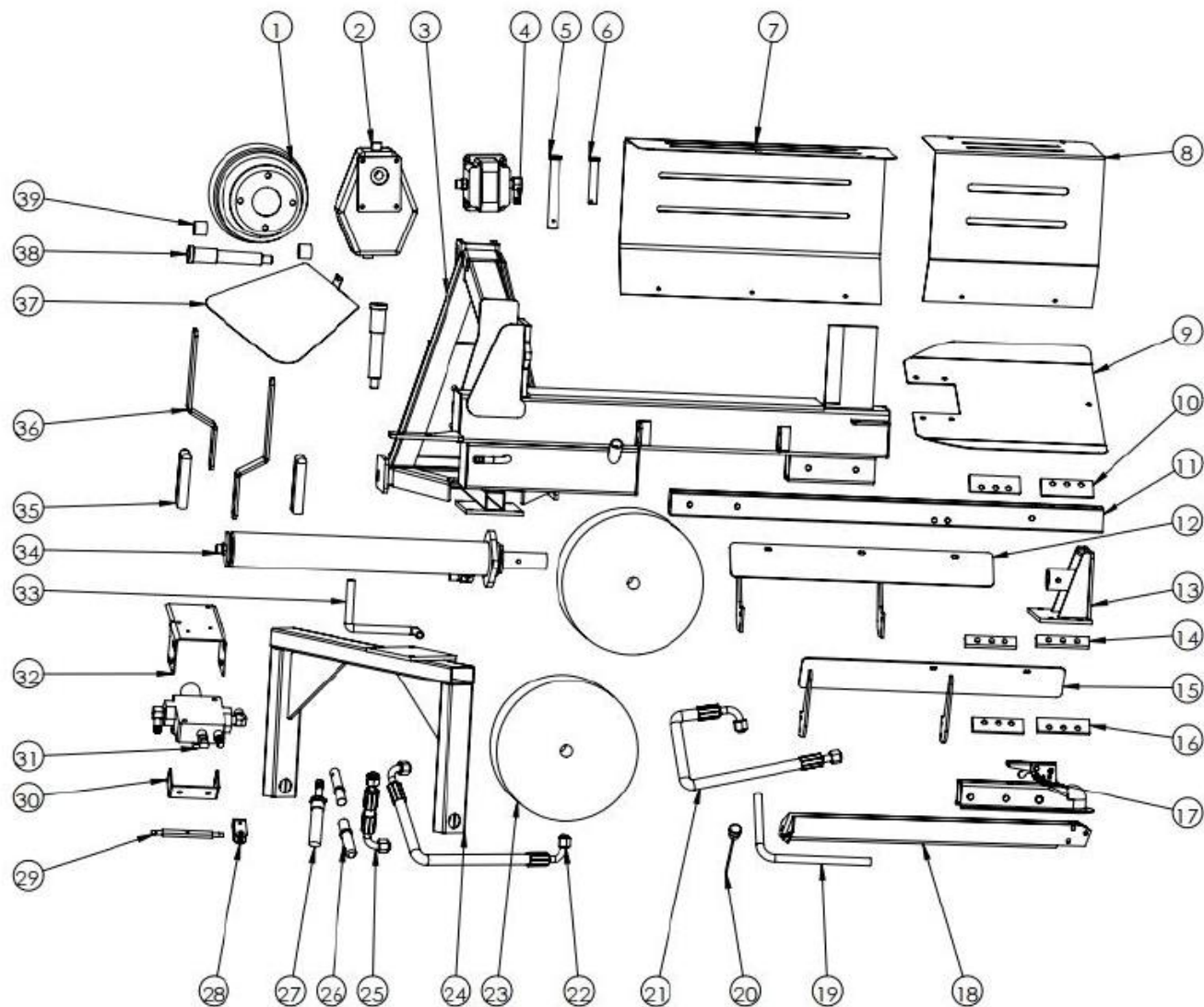
9071969 CORE PTO BRÆNDEKLØVER 10T



26.02.2026 (V2)

Rev. 04.05.2026

FIGUR 1

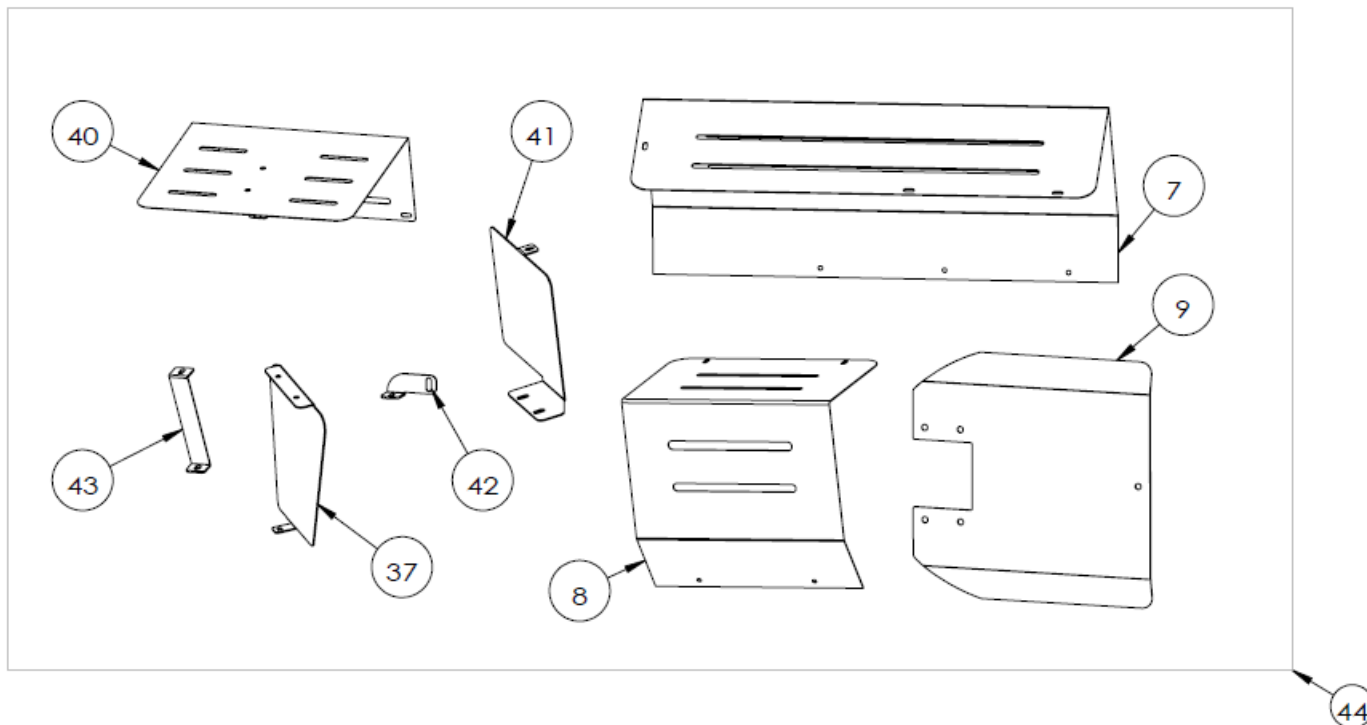


## DELE TIL FIG 1

Pos	Varenr / item no.	Varenavn	Item name	OE	stk/pcs
1	N/A	PTO SKÆRM	NYLON COVER	1HLS10TPTO-1	1
2	9074123	GEAR	GEARBOX	1HLS10TPTO-2	1
3	N/A	HOVEDDRAMME	WORK TABLE	1HLS10TPTO-3	1
4	9074124	HYDRAULIKPUMPE	PUMP	1HLS10TPTO-4	1
5	N/A	LIFTARMSBOLT	PTO PIN	1HLS10TPTO-5	1
6	N/A	TOPSTANGSBOLT	PTO PIN (LOWER)	1HLS10TPTO-6	1
7	N/A	SIKKERHEDSSKJOLD, STOR	BIG COVER	1HLS10TPTO-7	1
8	N/A	SIKKERHEDSSKJOLD, LILLE	SMALL COVER	1HLS10TPTO-8	1
9	N/A	HOVEDDRAMME FORLÆNGERPLADE	WOOD CATCHER	1HLS10TPTO-9	1
10	N/A	PLASTIK GLIDER TIL STYR	PLASTIC PAD	1HLS10TPTO-10	2
11	N/A	TRÆKSTANG	TOWING BAR	1HLS10TPTO-11	1
12	N/A	STØTTERAMME, VENSTRE	WOOD SUPPORTING FRAME (LEFT)	1HLS10TPTO-12	1
13	N/A	FOD	PUSHING PLATE	1HLS10TPTO-13	1
14	9074125	STYR TIL FOD	GUIDING LINEN	1HLS10TPTO-14	2
15	N/A	STØTTERAMME, HØJRE	WOOD SUPPORTING FRAME (RIGHT)	1HLS10TPTO-15	1
16	9074126	MELLEMSTYKKE TIL STYR	GUIDING SUPPORT	1HLS10TPTO-16	2
17	N/A	ANHÆNGERTRÆK	COUPLER	1HLS10TPTO-17	1
18	N/A	FORRESTE STØTTEBEN	FRONT LEG	1HLS10TPTO-18	1
19	9074127	HYDRAULIKOLIE RETUR SLANGE	OIL RETURN HOSE	1HLS10TPTO-19	1
20	9074128	OLIEMÅLEPIND	OIL LEVEL INDICATOR	1HLS10TPTO-20	1
21	9074129	HYDRAULIKSLANGE MELLEM VENTILBLOK OG HYDRAULIKCYLINDER HOVED	HIGH PRESSURE HOSE BETWEEN VALVE AND CYLINDER HEAD	1HLS10TPTO-21	1
22	9074130	HYDRAULIKSLANGE MELLEM VENTILBLOK OG HYDRAULIKCYLINDER BUND	HIGH PRESSURE HOSE BETWEEN VALVE AND CYLINDER BOTTOM	1HLS10TPTO-22	1
23	9074131	HJUL 12"	WHEEL	1HLS10TPTO-23	2
24	N/A	BAGERSTE STØTTEBEN V HJUL	REAR STAND	1HLS10TPTO-24	1
25	9074132	HYDRAULIKSLANGE MELLEM VENTILBLOK OG HYDRAULIKPUMPE	HIGH PRESSURE HOSE BETWEEN VALVE AND PUMP	1HLS10TPTO-25	1
26	N/A		PTO SHAFT	1HLS10TPTO-26	2

Pos	Varenr / item no.	Varenavn	Item name	OE	stk/pcs
27	9074133	OLIE FILTER	<i>OIL FILTER</i>	1HLS10TPTO-27	1
28	N/A	VENTILBLOK BESLAG, LILLE	<i>VALVE HINGE</i>	1HLS10TPTO-28	1
29	N/A	AKSEL TIL BETJENINGSHÅNDTAG	<i>OPERATION FLAT SHAFT</i>	1HLS10TPTO-29	1
30	N/A	VENTILBLOK HOVEDRAMMEBESLAG	<i>VALVE BRACKET</i>	1HLS10TPTO-30	1
31	9074134	VENTILBLOK	<i>VALVE ASSEMBLY</i>	1HLS10TPTO-31	1
32	N/A	VENTILBLOK BESLAG	<i>VALVE SEAT</i>	1HLS10TPTO-32	1
33	N/A	HYDRAULIKOLIE SUGE SLANGE	<i>OIL SUCTION HOSE</i>	1HLS10TPTO-33	1
34	9074135	HYDRAULIKCYLINDER	<i>OIL CYLINDER</i>	1HLS10TPTO-34	1
35	9075096	GREB TIL BETJENINGSHÅNDTAG	<i>HANDLE COVER</i>	1HLS10TPTO-35	2
36	N/A	GREB TIL BETJENINGSHÅNDTAG	<i>OPERATION HANDLE</i>	1HLS10TPTO-36	2
37	N/A	SIKKERHEDSPLADE V BETJENINGSHÅNDTAG	<i>SAFETY COVER</i>	1HLS10TPTO-37	1
38	N/A	HJULAKSEL	<i>WHEEL AXLE</i>	1HLS10TPTO-38	2
39	N/A	BØSNING	<i>SHOCK PAD</i>	1HLS10TPTO-39	2

FIGUR 2



Pos	Varenr / item no.	Varenavn	Item name	OE	stk/pcs
44	9076052	AFSKÆRMNING, KOMPLET	SAFETY COVER KIT	1HLS10TPTO-44	1

*Vi forbeholder os ret til uden foregående varsel at ændre de tekniske parametre og specifikationer for dette produkt*