

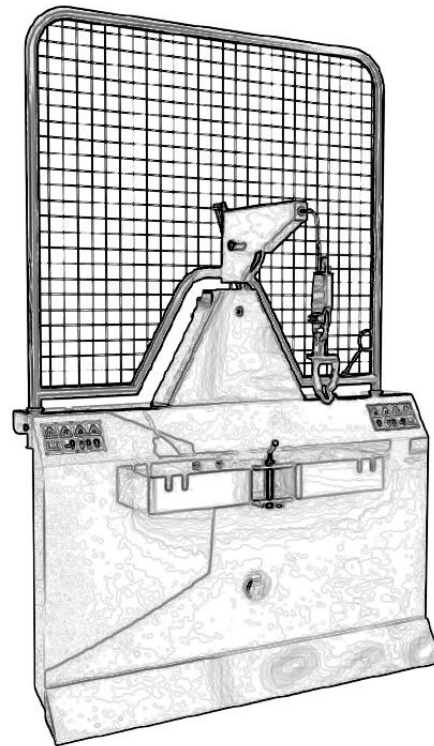
ROTH

ROTH FW40 SKOVSPIL

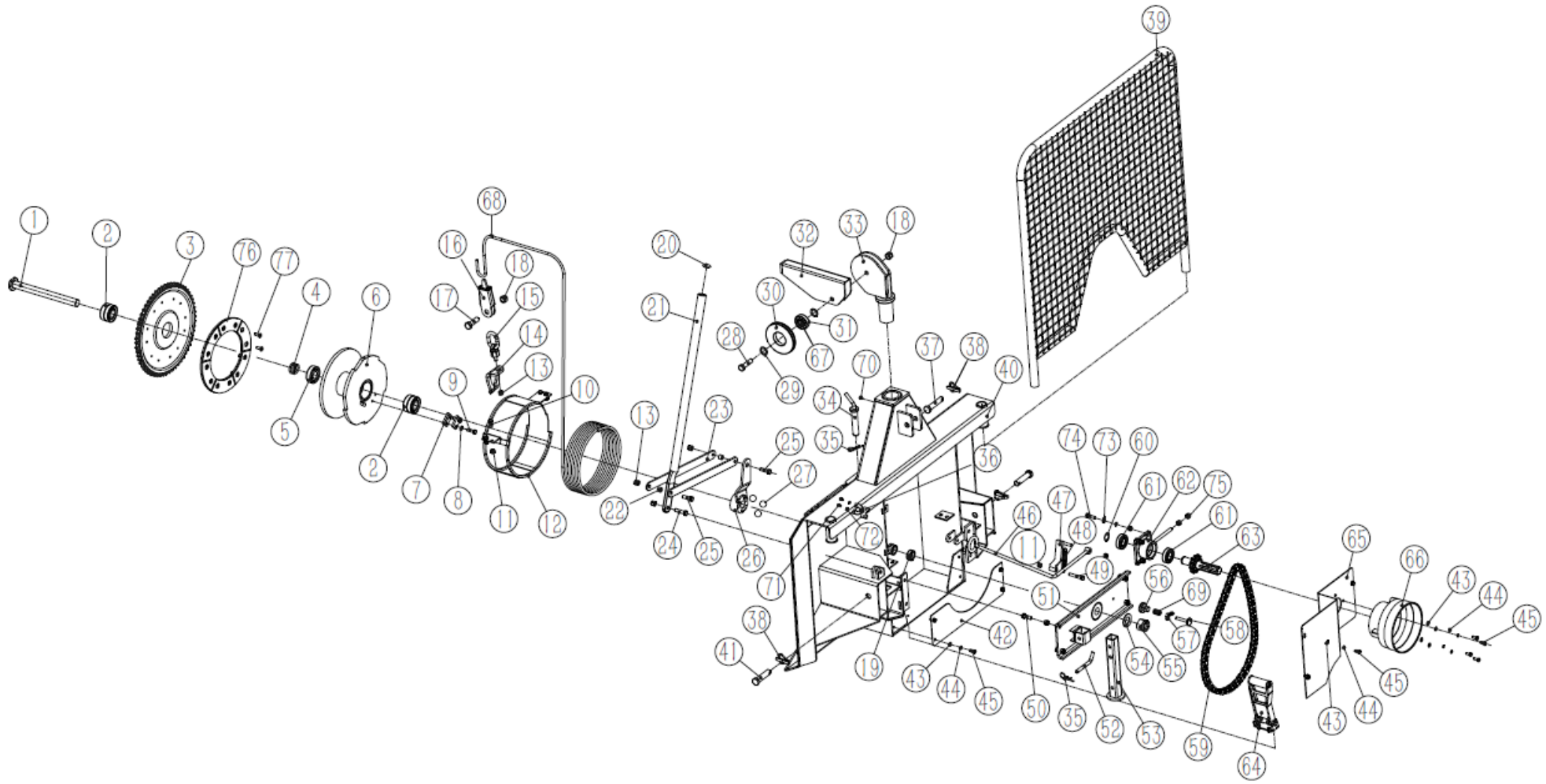
4285 kg

Reservedelskatalog til

9072330



FIGUR 1



Kontakt
 Tlf Salgsafdeling: 7021 2626
 Tlf Teknisk support: 7696 2326

P. Lindberg A/S
 Sdr. Ringvej 1
 DK - 6600 Vejen

ROTH FW40 skovspil DKV1
 www.p-lindberg.dk
 e-mail: salg@p-lindberg.dk

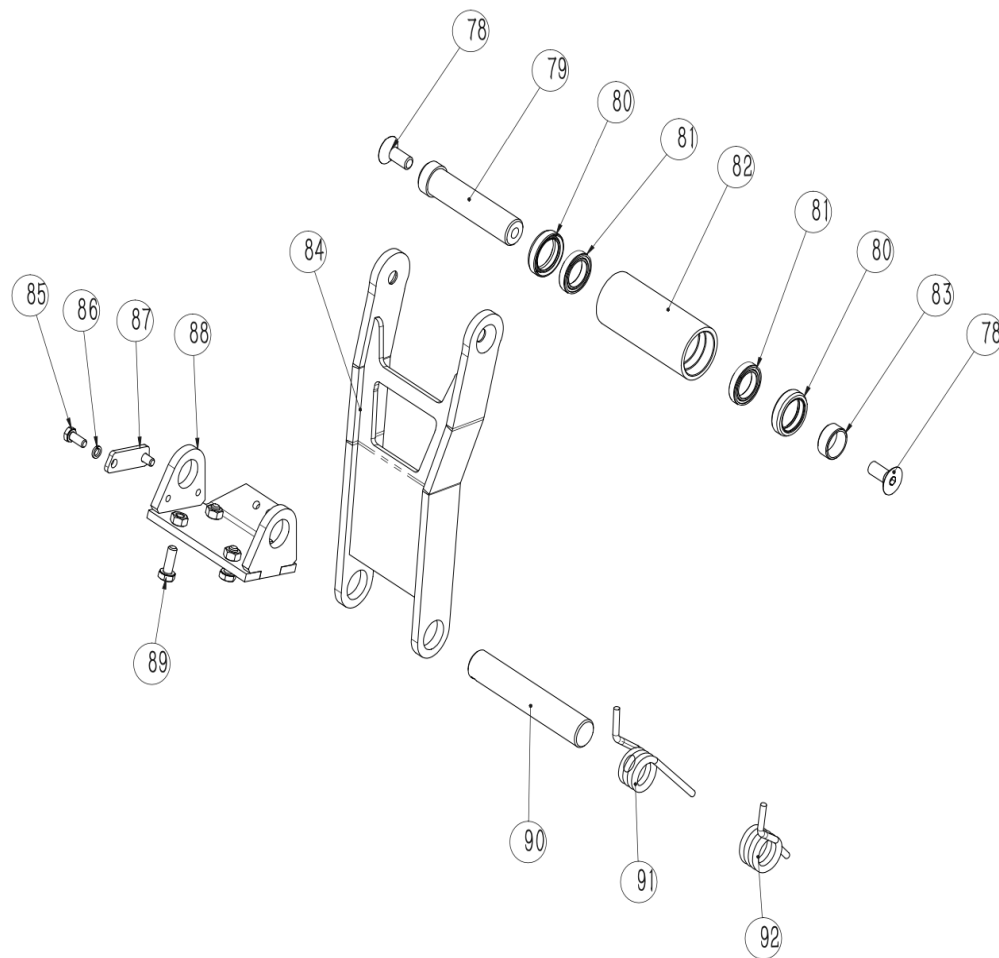
DELE TIL FIG 1

Pos	Varenr / item no.	Varenavn	Item name	OE	stk/pcs
1	9073536	Drivaksel	<i>DRIVEN SHAFT</i>	FW40.2	1
2	9073537	Kugleleje 7306B/2RSDB	<i>BALL BEARINGS 7306B/2RSDB</i>	B-G002920-7306B2RSDB	2
3	9073538	Drivhjul	<i>DRIVEN SPROCKET</i>	FW40.6D-1	1
4	N/A	Fjeder	<i>SPRING</i>	FW40.12	1
5	9073544	Kugleleje 7306 AC	<i>BALL BEARINGS 7306 AC</i>	B-G002920-7306B/2RS	1
6	N/A	Wirerulle	<i>ROLLER WELDED PARTS</i>	FW40.7A	1
7	N/A	Trykplade	<i>WIRE ROPE PRESSURE PLATE</i>	FW40.34A	2
8	N/A	Fjederskive, 10mm	<i>SPRING WASHER 10</i>	B-G000930-10	6
9	N/A	Bolt, M10x35	<i>BOLT M10×35</i>	B-G057830-10*35	4
10	N/A	Bolt, M10x25	<i>BOLT M10×25</i>	B-G057830-12*25	4
11	9050208	Møtrik, M10	<i>NUT M10</i>	B-G00889A-10	10
12	N/A	Cover wirerulle	<i>RING WELDED PARTS</i>	FW40.41B	1
13	9050209	Møtrik, M12	<i>NUT M12</i>	B-G00889A-12	9
14	9073550	Lås / trækkrog	<i>RETRACTOR</i>	FW40.26.2	1
15	9073549	Trækøje	<i>LIFTING RING ASSEMBLY</i>	FW40.26.1	1
16	9073548	Holder ved wirelås	<i>WEDGE WIRE CONNECTOR</i>	FW40.26.3	1
17	N/A	Bolt, M18x60	<i>BOLT M18×60</i>	B-G057830-18*60	1
18	9050210	Møtrik, M16	<i>NUT M16</i>	B-G00889A-16	1
19	N/A	Bøsning	<i>SPACER</i>	FW40.11	1
20	N/A	Gummiprop	<i>ROUND RUBBER COVER</i>	W-08-Y22	1
21	N/A	Håndtag	<i>HANDLE</i>	FW40.17	1
22	N/A	Afstandsstykke	<i>SPACER</i>	FW40.16	2
23	N/A	Stang	<i>LINK</i>	FW40.15A	2
24	9050251	Bolt, M12x40	<i>BOLT M12×40</i>	B-G057830-12*40	2
25	9050252	Bolt, M12x50	<i>BOLT M12×50</i>	B-G057830-12*50	1
26	N/A	Vippearm	<i>ROCKER ARM WELDED PARTS</i>	FW40.8B	1
27	N/A	Ø18 kugle	<i>Ø18 MARBLES</i>	W-06-Ø18DZ	3
28	N/A	Bolt, M16x65	<i>BOLT M16×65</i>	B-G057830-16*65	1
29	N/A	Pakning	<i>GASKET</i>	FW40.42	2

Pos	Varenr / item no.	Varenavn	Item name	OE	stk/pcs
30	N/A	Styrerulle	GUIDE WHEEL	FW40.24	1
31	9073546	Kugleleje, 6305-2RZ	DEEP GROOVE BALL BEARINGS 6305-2Z	B-G002760-6305-2RZ	1
32	N/A	Wire lede plade	WIRE ROPE GUIDE PLATE WELDED PARTS	FW40.23	1
33	N/A	Wirestyr	ROPE GUIDE FRAME WELDED PARTS	FW40.22A	1
34	N/A	Nagle	TRAILER PIN WELD PARTS	FW40.33	1
35	N/A	Hårnålesplit	R PIN 3.2	EFGC125.110	2
36	N/A	Holder	TIE ROD FIXING PLATE	FW40.43	1
37	N/A	Redskabsbolt, øvre	UPPER SUSPENSION PIN	NCM175.17	1
38	N/A	Låsetap	LOCK PIN 12	FEL300.111	3
39	N/A	Metalnet ramme	BAFFLE WELDED PARTS	FW40.10	1
40	N/A	Ophæng	MACHINE BASE WELDED PARTS	FW40.1B	1
41	N/A	Redskabsbolt, nedre	LOWER SUSPENSION PIN	NCM175.18	2
42	N/A	Bagstykke	REAR SEALING PLATE	FW40.4B	1
43	N/A	Planskive, 8mm	FLAT WASHER 8	B-G00097A-8	11
44	N/A	Fjederskive, 8mm	SPRING WASHER 8	B-G000930-8	11
45	9050231	Bolt, M8x20	BOLT M8x20	B-G057830-8*20	11
46	N/A	Håndtag	TIE ROD WELDED PARTS	FW40.19A	1
47	N/A	Plade	STOP PLATE WELDMENT	FW40.18A	1
48	N/A	Fjeder	SPRING	FW40.20A	1
49	N/A	Bolt, M10x65	BOLT M10x65	B-G057830-10*65	1
50	N/A	Bolt, M12x35	BOLT M12x35	B-G057830-12*35	4
51	N/A	Afskærmning	FRONT COVER WELDMENT	FW40.9B	1
52	9073557	Låsepal	BEND PIN	FW40.21	1
53	9073556	Støttefod	SUPPORT LEG WELDED PARTS	FW40.13	1
54	N/A	Planskive, 30mm	FLAT WASHER 30	B-G00097A-30	1
55	N/A	Møtrik, M30	NUT M30	B-G00889A-30	1
56	9073553	Bremseklods	BRAKE PAD ASSEMBLY	FW40.30	1
57	N/A	Vingemøtrik, M10	BUTTERFLY NUT M10	B-G00062A-10	1
58	9073555	Håndtag	ADJUSTMENT HANDWHEEL	FW40.32	1
59	9073535	Kæde	CHAIN 12AH-1-74	B-G012430-12AH-1-74	1
60	N/A	Låsering	SHAFT RETAINING RING A30	B-G00894A-30	1

Pos	Varenr / item no.	Varenavn	Item name	OE	stk/pcs
61	9038570	Kugleleje, 6206-2Z	BEARING 6206-2Z	B-G002760-6206-1RB	2
62	9073531	Lejehus	BEARING SEAT WELDMENT	FW40.3.1	1
63	9073530	Aksel med tandhjul	INPUT SHAFT PRESS-FIT PARTS	FW40.3.2	1
64	N/A	Fremtræksrulle	PINCH WHEEL ASSEMBLY	FW40.5	1
65	N/A	Afskærmning	CLADDING PLATE WELDED PARTS	FW40.14A	1
66	9043079	PTO-skærm	DRIVE SHAFT COVER	FM150.120	1
67	N/A	Bøsning	SPACER	FW40.25	1
68	9073545	Wire, 50 meter	COMPACTED WIRE ROPE	W-06-YB/T5359-9-6*60	1
69	9073554	Bremse-ring/fjeder	FRICTION PLATE COMPRESSION SPRING	FW40.31	1
70	N/A	Smørenippel, M8x1	STRAIGHT OIL CUP M8*1	B-J07940A-8*1A	1
71	9050220	Bolt, M6x16	BOLT M6×16	B-G057830-6*16	2
72	N/A	Fjederskive, 6mm	SPRING WASHER 6	B-G000930-6	2
73	N/A	Planskive, 10mm	FLAT WASHER 10	B-G00097A-10	4
74	N/A	Bolt, M10x35	BOLT M10×35	B-G057830-10*35	2
75	9050209	Møtrik, M12	NUT M12	B-G061700-12	2
76	9073571	Koblingsplade	FRICTION PLATE ASSEMBLY (WHOLE PIECE)	FW40.6E.2	1
77	N/A	Skrue, M8x25	SCREW M8*25	B-G00070C-8*25	12

FIGUR 2 (pos 64 på figur 1)



DELE TIL FIG 2

Pos	Varenr / item no.	Varenavn	Item name	OE	stk/pcs
78	N/A	Skrue M8x20	SCREW M8×20	B-G00070C-8*20	2
79	N/A	Rør	PRESSURE ROLLER SHAFT	FW40.5.4	1
80	9073540	Pakdåse, 20x28x7	OIL SEAL FB 20*28*7	B-G13871A-FB20*28*7	2
81	9073541	Kugleleje, 61803-2Z	BEARING 61803-2Z	B-G002760-61803-2RZ	2
82	N/A	Hjul	PRESSURE WHEEL	FW40.5.3	1
83	N/A	Afstandsstykke	SPACER	FW40.5.8	1
84	N/A	Bøsning	PRESSURE WHEEL WELDED PARTS	FW40.5.1	1
85	N/A	Bolt, M5x12	BOLT M5×12	B-G057830-5*12	2
86	N/A	Skive, 5mm	WASHER 5	B-G000930-5	2
87	N/A	Trykplade	PRESSURE PLATE	FW40.5.7	1
88	N/A	Beslag	SUPPORT WELDMENT	FW40.5.2	1
89	9050220	Bolt, M6x16	BOLT M6×16	B-G057830-6*16	4
90	N/A	Rør	SUPPORT SHAFT	FW40.5.5	1
91	9073543	Strammefjeder (1)	TORSION SPRING	FW40.5.6	1
92	9073542	Strammefjeder (2)	TORSION SPRING 2	FW40.5.9	1

Vi forbeholder os ret til uden foregående varsel at ændre de tekniske parametre og specifikationer for dette produkt

Kontakt
 Tlf Salgsafdeling: 7021 2626
 Tlf Teknisk support: 7696 2326

P. Lindberg A/S
 Sdr. Ringvej 1
 DK – 6600 Vejen

ROTH FW40 skovspil DKV1
 www.p-lindberg.dk
 e-mail: salg@p-lindberg.dk