

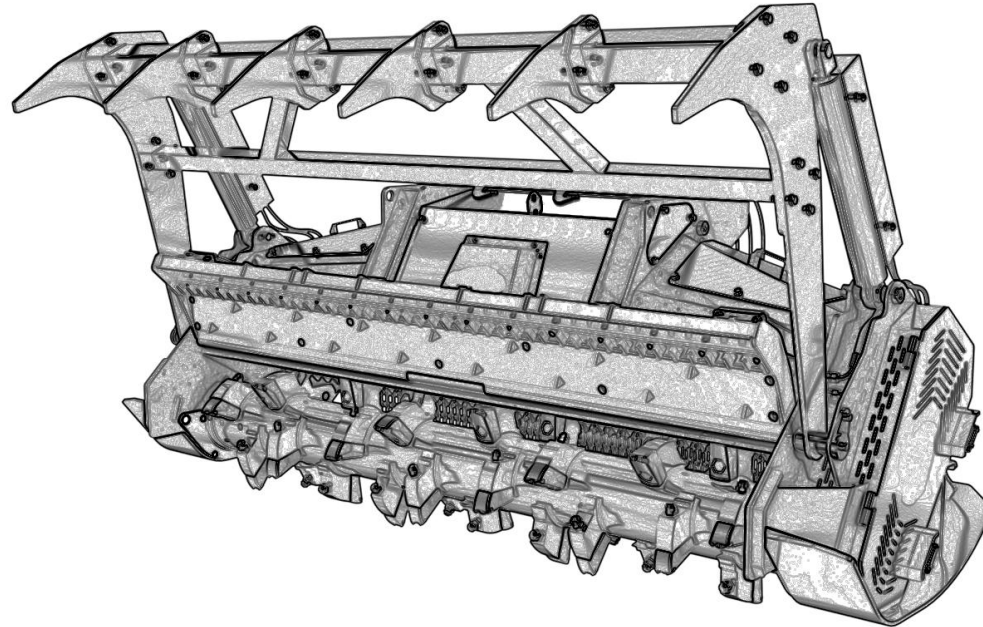


# AHEAD KRAT- & GRENKNUSER

DFM225

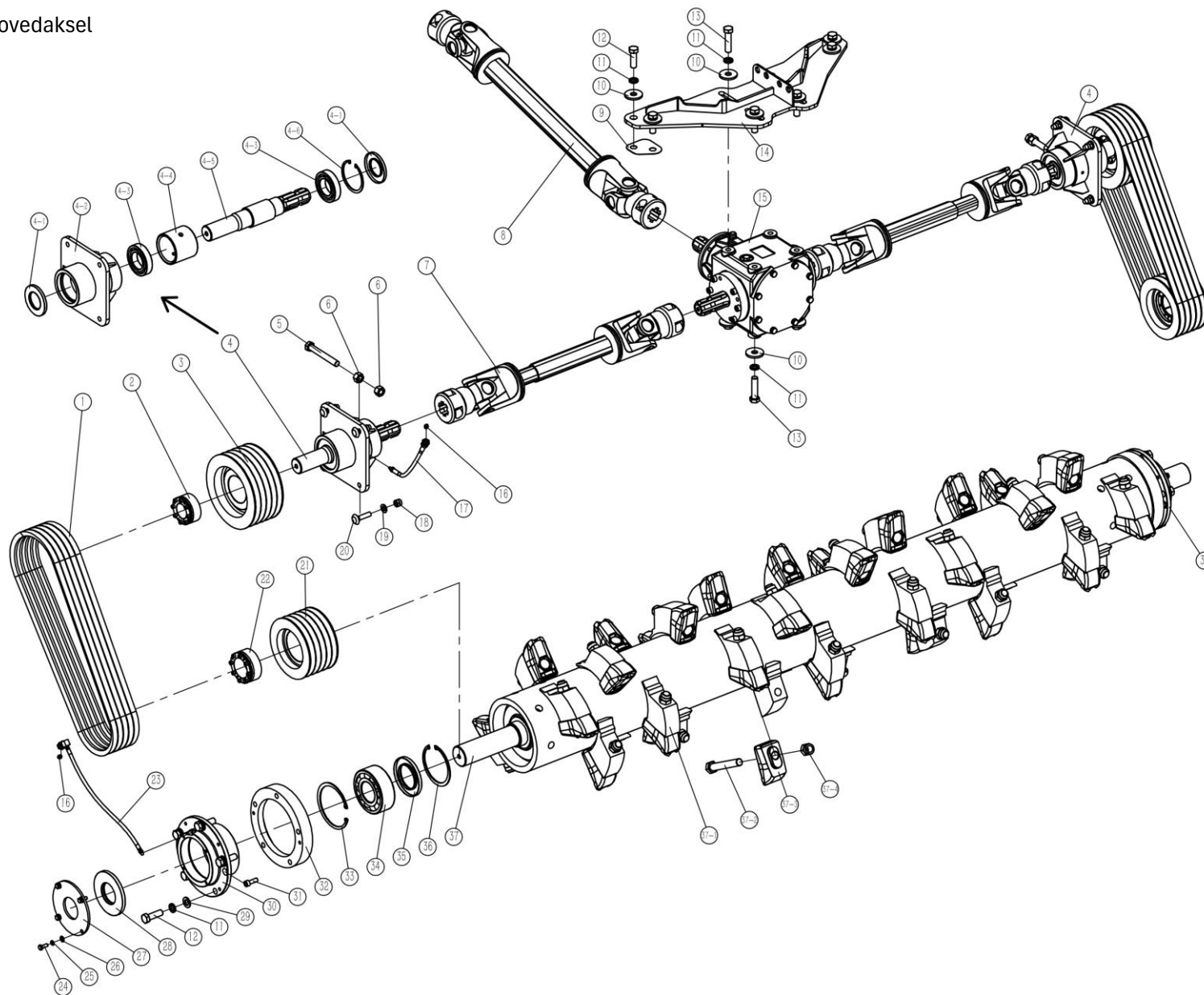
Reservedelskatalog til

9073605



04.11.2025 (V1)

FIGUR 1 - Gear & hovedaksel



Kontakt  
 Tlf Salgsafdeling: 7021 2626  
 Tlf Teknisk support: 7696 2326

P. Lindberg A/S  
 Sdr. Ringvej 1  
 DK - 6600 Vejen

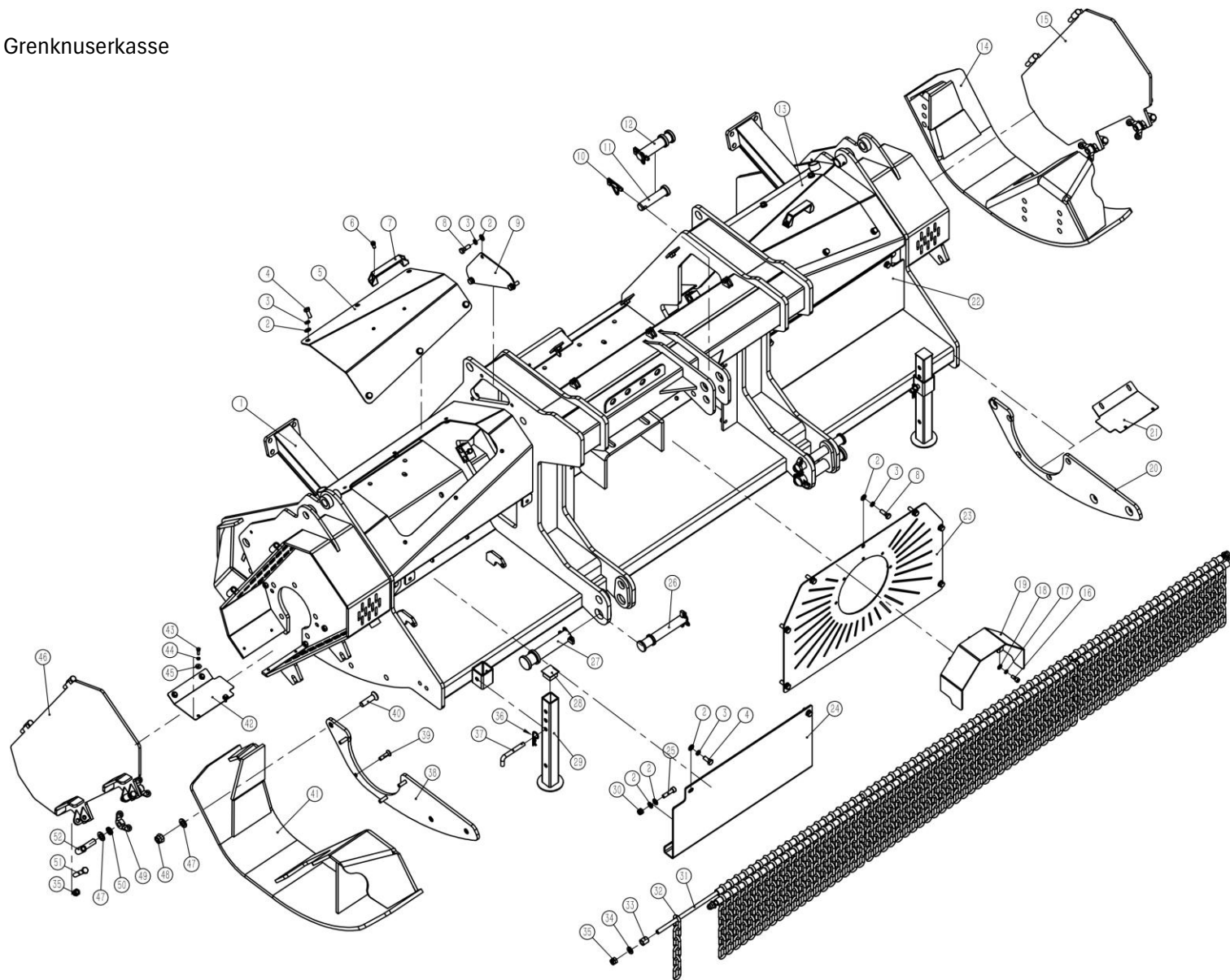
AHEAD DFM225 grenknuser V1  
 www.p-lindberg.dk  
 e-mail: salg@p-lindberg.dk

## DELE TIL FIG 1

Pos	Varenr / item no.	Varenavn	Item name	OE	stk/pcs
1	9074224	Kilerem, XPB1538	V-BELT XPB1538	B-G127300-XPB1538	10
2	9074225	Taperlock, Z3-45x80K	EXPANSION SLEEVE Z3-45*80L	B-J7934Z3-45*80L	2
3	9074226	Stor remskive	LARGE PULLEY	DFM225.10	2
4	9074227	Trykplade	TENSION PLATE 01	DFM225.22	2
4-1	9068169	Pakdåse, FB50x90x8	OIL SEAL FB50*90*8	B-G13871A-FB50*90*8	2
4-2	9074228	Lejehus	TENSION PLATE WELDED PARTS 01	DFM225.22.1	1
4-3	9074229	Kugleleje 6210-RB	BEARING 6210 (HUMAN)	B-G002760-6210-RB	2
4-4	9074230	Bøsning	SPACER	DFM225.22-5	1
4-5	9074231	Forbindelsesaksel	CONNECTING SHAFT	DFM225.22-3	1
4-6	9048902	Låsering 90	RETAINING RING 90	B-G00893A-90	1
5	N/A	Bolt, M16x120	BOLT M16*120	B-G057830-16*120	2
6	N/A	Møtrik, M16	NUT M16	B-G061700-16	4
7	9074232	Drivaksel	DRIVE SHAFT ASSEMBLY	W-02-07B-750-05C-05C	2
8	9074233	PTO-aksel	DRIVE SHAFT ASSEMBLY	W-02-08B-1000A-SB.C	1
9	N/A	Justerplade	ADJUSTING PAD	DFM225.63	4
10	N/A	Skive	WASHER	DFM225.62	12
11	N/A	Planskive, 16mm	WASHER 16	B-G000930-16	22
12	N/A	Bolt, M16x50	BOLT M16*50	B-G057830-16*50	14
13	N/A	Bolt, M16x65	BOLT M16*65	B-G057830-16*65	6
14	N/A	Fast plade ved gearkasse	FIXED WELDED PARTS	DFM225.61	1
15	9074234	T92 gearkasse	T92 GEARBOX	W-01-T92	1
16	N/A	Smørenippel, M8x1	OIL CUP M8*1-304	B-J07940A-8*1A	2
17	N/A	Smøreslange	BUTTER TUBE 02	DFM225.41	2
18	N/A	Møtrik, M12	NUT M12	B-G00889A-12	8
19	N/A	Planskive, 12mm	WASHER 12	B-G00097A-12	8
20	N/A	Bolt, M12x50	BOLT M12*50	B-G007940-12*50	8
21	9074235	Lille remskive	SMALL PULLEY	DFM225.11	2
22	9074236	Taperlock, Z3-60x90L	EXPANSION SLEEVE Z3-60*90L	B-J7934Z3-60*90L	2
23	9074237	Fedtslange	GREASE TUBE 01	FRM225.24	2
24	N/A	Bolt, M8x20	BOLT M8*20	B-G057830-8*20	8

Pos	Varenr / item no.	Varenavn	Item name	OE	stk/pcs
25	N/A	Skive, 8mm	WASHER 8	B-G000930-8	8
26	N/A	Skive, 8mm	WASHER 8	B-G00097A-8	8
27	9074238	Beskyttelsesring til lejehus	BEARING SEAT COVER	PUM180.10	2
28	9060363	Pakdåse, FB60x130x10	OIL SEAL FB60*130*10	B-G13871A-FB60*130*A	2
29	N/A	Skive, 16mm	WASHER 16	B-G00097A-16	10
30	9074239	Lejehus ved hovedaksel	KNIFE SHAFT BEARING SEAT 01	DFM225.12	1
31	9074240	Skrue, M10x30	SCREW M10*30	B-G00070A-10*30	4
32	9060361	Beskyttelsesring for leje	GRASS-PROOF RING	KDK300.21	2
33	9074241	Låsering 130	RETAINING RING 130	B-G00893A-130	2
34	9074242	Kugleleje 2312	BEARING 2312	B-G002810-2312-RB	2
35	9074243	Pakdåse, FB70x115x10	OIL SEAL FB70*115*10	B-G13871A-FB70*115*A	2
36	9074244	Låsering 115	RETAINING RING 115	B-G00893A-115	2
37	N/A	Hovedaksel, komplet	CUTTER SHAFT ASSEMBLY	DFM225.1	1
37-1	9074245	Aksel	KNIFE SHAFT TUBE WELDING PARTS	DFM225.1.1	1
37-2	9074246	Bolt, M20x1,5x140	BOLT M20*1.5*140-10.9	B-G057850-20*1.5*DA	36
37-3	9074247	Skæreplatte	SINGLE HOLE FIXED KNIFE	FRM225.1-2	36
37-4	9074248	Møtrik, M20x1,5-10	NUT M20*1.5-10	B-G00889B-20*1.5DA	36
38	9074249	Holder for hovedaksel	KNIFE SHAFT BEARING SEAT 02	DFM225.47	1

FIGUR 2 - Grennuserkasse



Kontakt  
Tlf Salgsafdeling: 7021 2626  
Tlf Teknisk support: 7696 2326

P. Lindberg A/S  
Sdr. Ringvej 1  
DK - 6600 Vejen

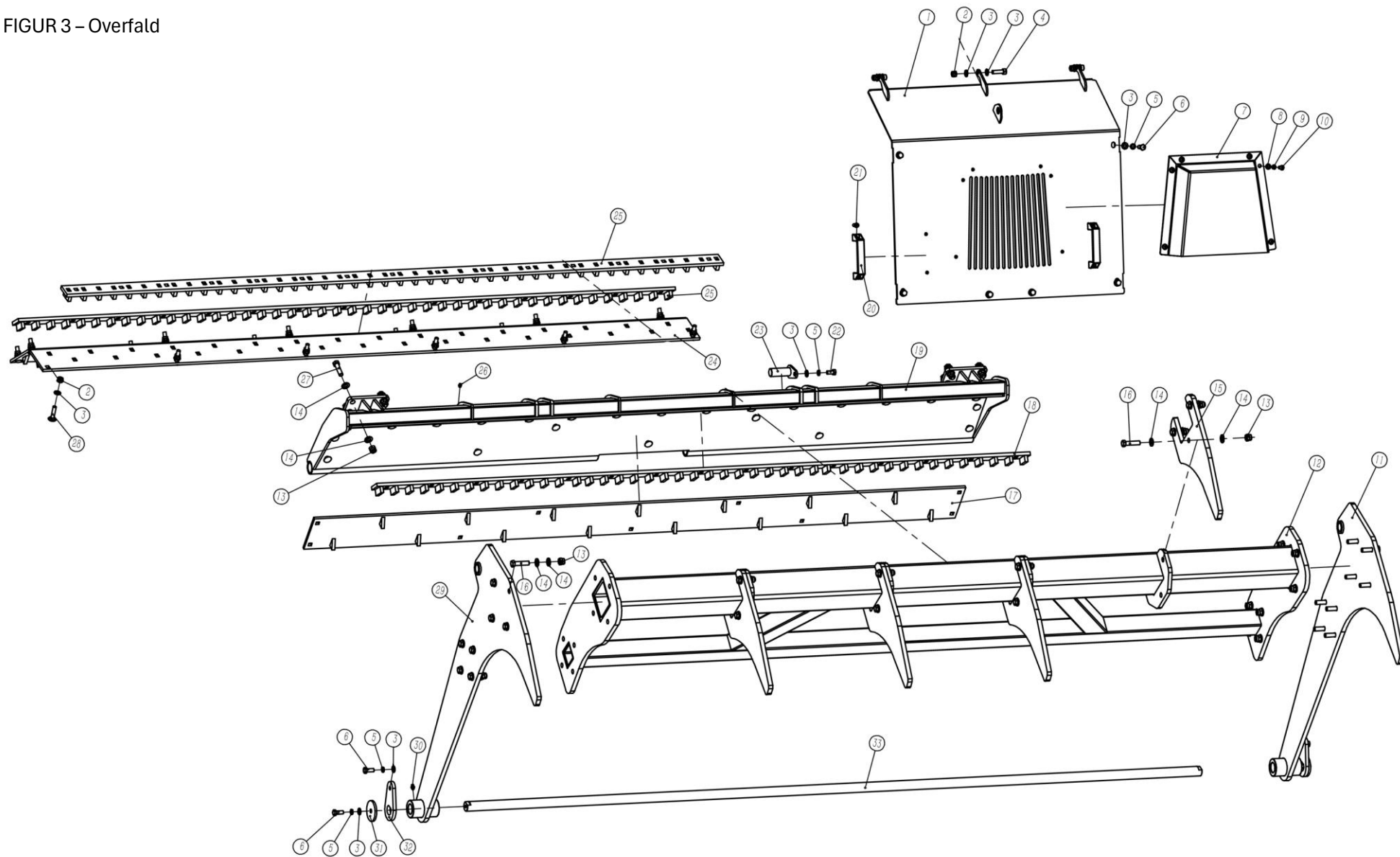
AHEAD DFM225 grennuser V1  
www.p-lindberg.dk  
e-mail: salg@p-lindberg.dk

## DELE TIL FIG 2

Pos	Varenr / item no.	Varenavn	Item name	OE	stk/pcs
1	N/A	Grenknuserkasse	HOOD WELDING PARTS	DFM225.2	1
2	N/A	Skive 10mm	WASHER 10	B-G00097A-10	37
3	N/A	Skive 10mm	WASHER 10	B-G000930-10	29
4	N/A	Bolt, M10x25	BOLT M10*25	B-G057830-10*25	16
5	9074250	Forstærkningsplade, top, højre	STRENGTHEN COVER PLATE WELDING PARTS 02	DFM225.51	1
6	N/A	Skrue, M8x20	SCREW M8*20	B-G000650-8*20	4
7	9074251	Aluminiumsgreb	ALUMINUM ALLOY HANDLE 120	FRM225.27	2
8	N/A	Bolt, M10x30	BOLT M10*30	B-G057830-10*30	13
9	N/A	Afskærmningsstykke	OPERATION PORT SEAL	DFM225.48	2
10	N/A	Låsesplit	LOCK PIN 10	B-G043290-10	6
11	9074252	Redskabsbolt (1), øverst	UPPER SUSPENSION PIN	VBM140.109	1
12	9074253	Redskabsbolt (2), øverst	UPPER SUSPENSION PIN	VBM260DX.4	1
13	9074254	Forstærkningsplade, top, venstre	STRENGTHEN COVER PLATE WELDING PARTS 01	DFM225.49	1
14	9074255	Slæbesko, venstre	SLIDE RAIL PLATE WELDING PARTS 01	DFM225.15	1
15	9074256	Remskærm, venstre side	PULLEY COVER PANEL WELDING PARTS 01	DFM225.19BOX	1
16	N/A	Skrue, M8x20	SCREW M8*20	B-G00070A-8*20	5
17	N/A	Skive, 8mm	WASHER 8	B-G000930-8	5
18	N/A	Skive, 8mm	WASHER 8	B-G00097A-8	5
19	9074257	Afskærmning, halvrund	TRANSMISSION HOUSING WELDED PARTS	DFM225.55	1
20	9074258	Sidepanelsforstærkning, venstre	SIDE PANEL REINFORCEMENT	DFM225.40	1
21	N/A	Beslag	COVER	DFM225.58	1
22	9074259	Frontplade, venstre side	FRONT COVER WELDED PARTS 01	DFM225.5BOX	1
23	9074260	Ventilationsplade for gearkasse	GEAR BOX COVER WELDED PARTS	DFM225.36	1
24	9074261	Frontplade, højre side	FRONT COVER WELDED PARTS 02	DFM225.28BOX	1
25	N/A	Skrue, M10x40	SCREW M10*40	B-G00070A-10*40	4
26	9074262	Redskabsbolt (1), nederst	LOWER SUSPENSION PIN	FRM225.17	2
27	9074263	Redskabsbolt (2), nederst	LOWER SUSPENSION PIN	FRM225.49	2
28	9068116	Firkantet plasticprop	SQUARE RUBBER COVER□40	W-08-F40	2
29	9074264	Støtteben	BRACING TUBE WELDING PARTS	FRM225A.54	2
30	N/A	Møtrik, M10	NUT M10	B-G00889A-10	4

Pos	Varenr / item no.	Varenavn	Item name	OE	stk/pcs
31	9074265	Stang for beskyttelseskæde	<i>HANGING ROD</i>	FRM225.16	2
32	9074266	Kædestump	<i>CHAIN 8MM</i>	FRM225.31	138
33	9074267	Afstandsstykke	<i>SPACER</i>	FRM225.32	140
34	N/A	Skive, 12mm	<i>WASHER 12</i>	B-G00097A-12	4
35	N/A	Møtrik, M12	<i>NUT M12</i>	B-G00889A-12	8
36	N/A	Hårnålesplit	<i>R PIN 3.2</i>	EFGC125.110	2
37	N/A	Låsepal	<i>SUPPORT FOOT LATCH</i>	EFGC175.37	2
38	9074268	Sidepanelsforstærkning, højre	<i>SIDE PANEL REINFORCEMENT</i>	DFM225.54	1
39	N/A	Skrue, M10x40	<i>SCREW M10*40</i>	B-G00070C-10*40	8
40	N/A	Skrue, M16x60	<i>SCREW M16*60</i>	B-G00070C-16*60	6
41	9074269	Slæbesko, højre	<i>SLIDE RAIL PLATE WELDED PARTS 02</i>	DFM225.52	1
42	N/A	Cover	<i>COVER 01</i>	DFM225.59	1
43	N/A	Bolt, M6x20	<i>BOLT M6*20</i>	B-G057830-6*20	8
44	N/A	Skive, 6mm	<i>WASHER 6</i>	B-G000930-6	8
45	N/A	Skive, 6mm	<i>WASHER 6</i>	B-G000960-6	8
46	9074270	Remskærm, højre side	<i>PULLEY COVER PANEL WELDED PARTS 02</i>	DFM225.21BOX	1
47	N/A	Skive, 16mm	<i>WASHER 16</i>	B-G00097A-16	10
48	N/A	Møtrik, M16	<i>NUT M16</i>	B-G00889A-16	6
49	9074271	Vingemøtrik, M16	<i>BUTTERFLY NUT M16</i>	B-G00062A-16	4
50	N/A	Skive, 16mm	<i>WASHER 16</i>	B-G000930-16	4
51	N/A	Bolt, M12x70	<i>BOLT M12*70</i>	B-G057830-12*70	4
52	9074272	Greb	<i>HANDLE WELDING PARTS</i>	FRM225A.53	4

FIGUR 3 – Overfald



Kontakt  
 Tlf Salgsafdeling: 7021 2626  
 Tlf Teknisk support: 7696 2326

P. Lindberg A/S  
 Sdr. Ringvej 1  
 DK – 6600 Vejen

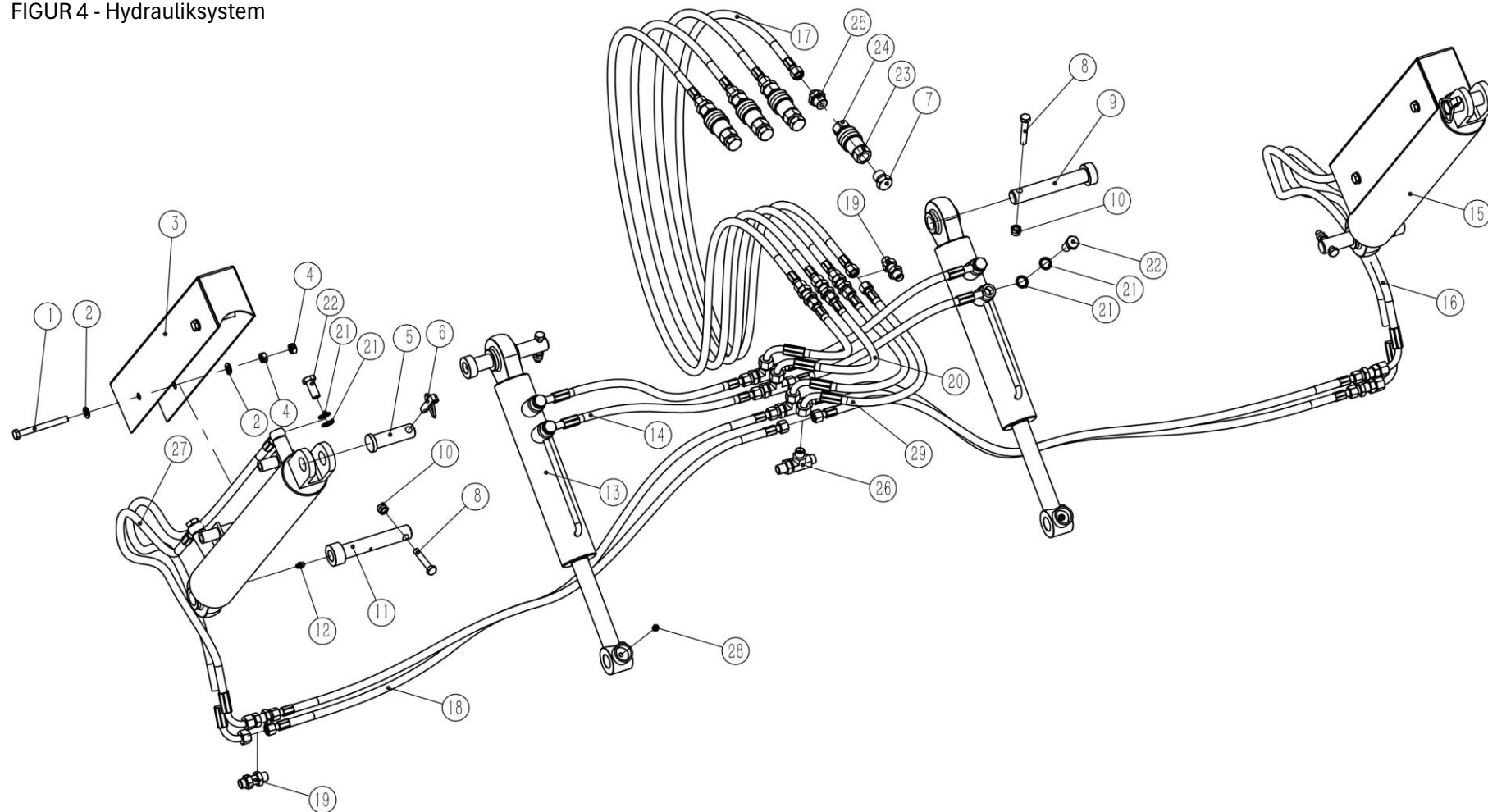
AHEAD DFM225 grenknuser V1  
[www.p-lindberg.dk](http://www.p-lindberg.dk)  
 e-mail: salg@p-lindberg.dk

## DELE TIL FIG 3

Pos	Varenr / item no.	Varenavn	Item name	OE	stk/pcs
1	9074273	Afskærmning	REAR COVER WELDING PARTS	DFM225.26	1
2	N/A	Møtrik, M10	NUT M10	B-G00889A-10	73
3	N/A	Skive, 10mm	WASHER 10	B-G00097A-10	88
4	N/A	Skruer, M10x35	SCREW M10*35	B-G00070A-10*35	3
5	N/A	Skive, 10mm	WASHER 10	B-G000930-10	12
6	N/A	Bolt, M10x25	BOLT M10*25	B-G057830-10*25	10
7	9074274	Skærm	FLIP COVER	DFM225.56-1BOX	1
8	N/A	Skive, 8mm	WASHER 8	B-G00097A-8	6
9	N/A	Skive, 8mm	WASHER 8	B-G000930-8	6
10	N/A	Skruer, M8x20	SCREW M8*20	B-G00070B-8*20	6
11	9074275	Sidepanel, venstre	PUSH PLATE WELDED PARTS 02	DFM225.60	1
12	9074276	Overfald	PUSH BRACKET WELDMENT	FRM225.33	1
13	N/A	Møtrik, M12	NUT M12	B-G00889A-12	36
14	N/A	Skive, 12mm	WASHER 12	B-G00097A-12	72
15	9074277	Tand	PUSH PLATE TEETH	FRM225.34	4
16	N/A	Bolt, M12x50	BOLT M12*50	B-G057830-12*50	28
17	9074278	Bagstykke, forstærket	REAR COVER REINFORCEMENT WELDING PARTS	DFM225.39	1
18	9074279	Fast knivskinne, bag	REAR COVER FIXED BLADE WELDING PARTS	DFM225.8	1
19	N/A	Baglåge	BACK COVER WELDING PARTS	DFM225.7	1
20	9074251	Aluminiumsgreb	ALUMINUM ALLOY HANDLE 120	FRM225.27	2
21	N/A	Skruer, M8x20	SCREW M8*20	B-G000650-8*20	4
22	N/A	Bolt, M10x20	BOLT M10*20	B-G057830-10*20	2
23	9074280	Bolt	PIN WELDING PARTS	DFM225.50	2
24	9074281	Forstærket holdeplade	HOOD REINFORCEMENT PLATE WELDED PARTS	FRM225.3	1
25	9074282	Fast knivskinne, monteringsdel	FIXED BLADE MOUNTING PLATE WELDING PARTS	FRM225.4	2
26	N/A	Smørenippel, M6	OIL CUP M6	B-J07940A-6A	2
27	N/A	Bolt, M12x45	BOLT M12*45	B-G057830-12*45	8
28	N/A	Bolt, M10x35	BOLT M10*35	B-G000140-10*35	72
29	9074283	Sidepanel, højre	PUSH PLATE WELDING PARTS	DFM225.13	1

Pos	Varenr / item no.	Varenavn	Item name	OE	stk/pcs
30	N/A	Smørenippel, M8x1	<i>OIL CUP M8*1</i>	B-J07940A-8*1A	2
31	N/A	Pakring	<i>ROTATING SHAFT SEAL COVER</i>	FRM225.14	2
32	9074284	Holder for aksel	<i>SHAFT FIXING PLATE</i>	FRM225.18	2
33	9074285	Aksel / stang	<i>REAR COVER SHAFT ROUND STEEL</i>	FRM225.9	1

FIGUR 4 - Hydrauliksystem



DELE TIL FIG 4

Pos	Varenr / item no.	Varenavn	Item name	OE	stk/pcs
1	N/A	Bolt, M10x100	<i>BOLT M10*100</i>	B-G057830-10*100	4
2	N/A	Skive, 10mm	<i>WASHER 10</i>	B-G00097A-10	8
3	9074286	Skærm for cylinder	<i>PUSH PLATE CYLINDER GUARD PLATE</i>	FRM225A.52	2

Pos	Varenr / item no.	Varenavn	Item name	OE	stk/pcs
4	N/A	Møtrik, M10	<i>NUT M10</i>	B-G061700-10	8
5	9074287	Redskabsbolt til cylinder – top	<i>CYLINDER HEAD PIN</i>	FRM225.45	2
6	N/A	Split	<i>LOCK PIN 10</i>	B-G043290-10	2
7	N/A	Lynkobling, hun	<i>FEMALE QUICK-CHANGE COUPLING</i>	FRM225.38	4
8	N/A	Bolt, M10x55	<i>BOLT M10*55</i>	B-G057830-10*55	4
9	9074288	Redskabsbolt til cylinder – låge	<i>REAR COVER CYLINDER TAIL PIN</i>	DFM225.44	2
10	N/A	Møtrik, M10	<i>NUT M10</i>	B-G00889A-10	4
11	9074289	Redskabsbolt til cylinder - bund	<i>PUSH PLATE CYLINDER TAIL PIN</i>	FRM225.20	2
12	N/A	Smørenippel, M8x1	<i>OIL CUP M8*1</i>	B-J07940A-8*1A	4
13	9074290	Cylinder til baglåge / klap	<i>REAR COVER CYLINDER ASSEMBLY</i>	DFM225.25.1	2
14	9074291	Hydraulikslange til baglåge cylinder	<i>REAR COVER CYLINDER OIL PIPE</i>	DFM225.25-2	4
15	9074292	Cylinder til overfald	<i>PUSH PLATE CYLINDER ASSEMBLY</i>	FRM225A.25.3	2
16	9074293	Hydraulikslange til overfaldscylinder	<i>PUSH PLATE CYLINDER OIL PIPE</i>	FRM225.25-4	2
17	9074294	Hydraulikslange til traktor	<i>CONNECT THE MAIN ENGINE OIL PIPE</i>	DFM225.25-5	4
18	9074295	Hydraulikslange til overfald (1)	<i>CONNECT THE THREE-WAY OIL PIPE</i>	FRM225.25-6	4
19	9074296	Brystnippel	<i>OIL PIPE JOINT</i>	FRM225.25-7	8
20	9074297	Hydraulikslange fra traktor til tee (1)	<i>CONNECT THREE-WAY OIL PIPE 02</i>	DFM225.25-8	2
21	N/A	Skive, 16mm	<i>COMBINATION WASHER 16</i>	B-J009820-16	16
22	9074298	Hængselbolt, M16x1,5x35	<i>HINGE BOLT M16*1.5*35</i>	B-J009990-16*1.5*35	8
23	9013719	Hydraulik lynkobling, hun ½” gev.	<i>QUICK-CHANGE FEMALE CONNECTOR G1/2</i>	B-G058620-D-G1/2	4
24	9013718	Hydraulik lynkobling, han ½” gev.	<i>QUICK-CHANGE MALE CONNECTOR G1/2</i>	B-G058620-L-G1/2	4
25	9073516	Overgang, M16x1,5-G1/2”	<i>END STRAIGHT CONNECTOR G1/2-M16*1.5</i>	W-05-GE10LR1/2ED	4
26	9074299	Tee stykke	<i>OIL PIPE TEE JOINT</i>	ZG72.7	4
27	9074300	Hydraulikslange til overfald (2)	<i>PUSH PLATE CYLINDER OIL PIPE 02</i>	FRM225.25-9	2
28	N/A	Smørenippel, M8x1	<i>OIL CUP M8*1</i>	B-J07940A-8*1A	2
29	9074301	Hydraulikslange fra traktor til tee (2)	<i>CONNECT 3-WAY OIL PIPE 03</i>	DFM225.25-10	2

Vi forbeholder os ret til uden foregående varsel at ændre de tekniske parametre og specifikationer for dette produkt