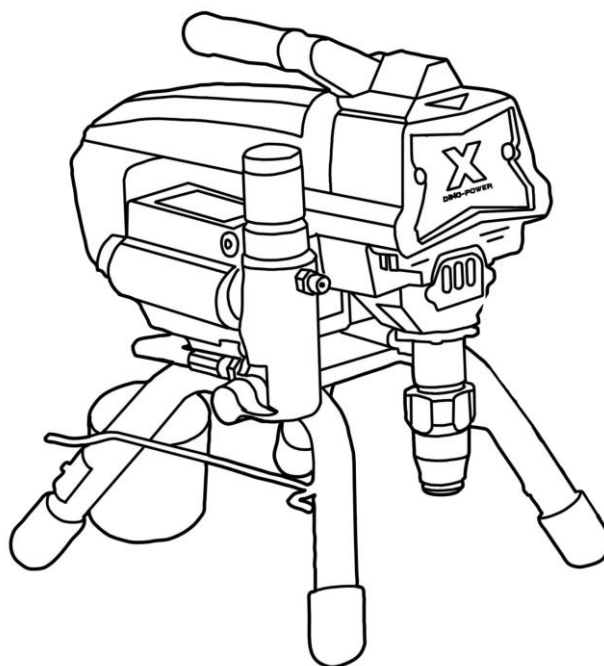


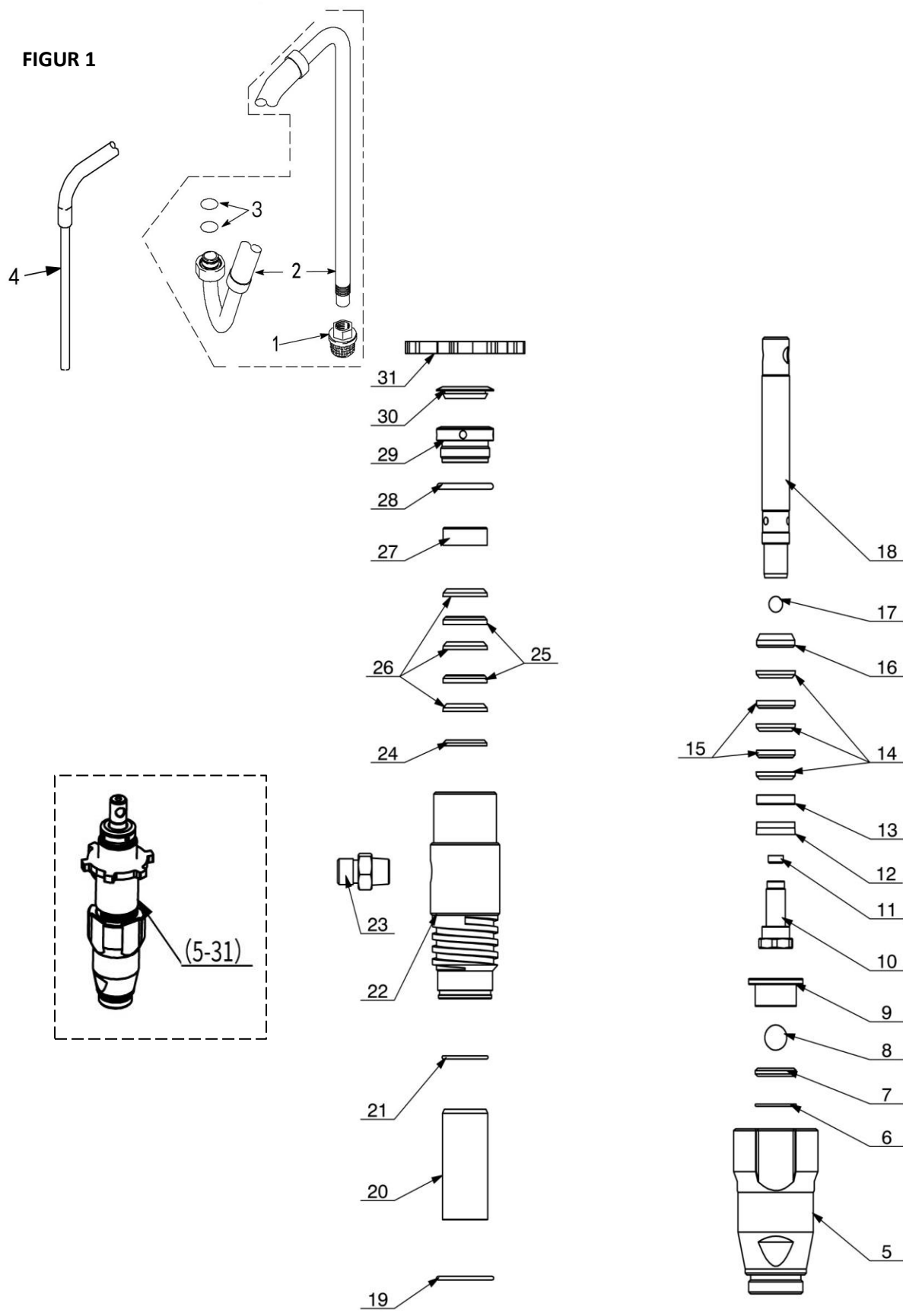
X20 AIRLESS MÅLARSPRUTA

200 BAR

Reservdelskatalog
9066341

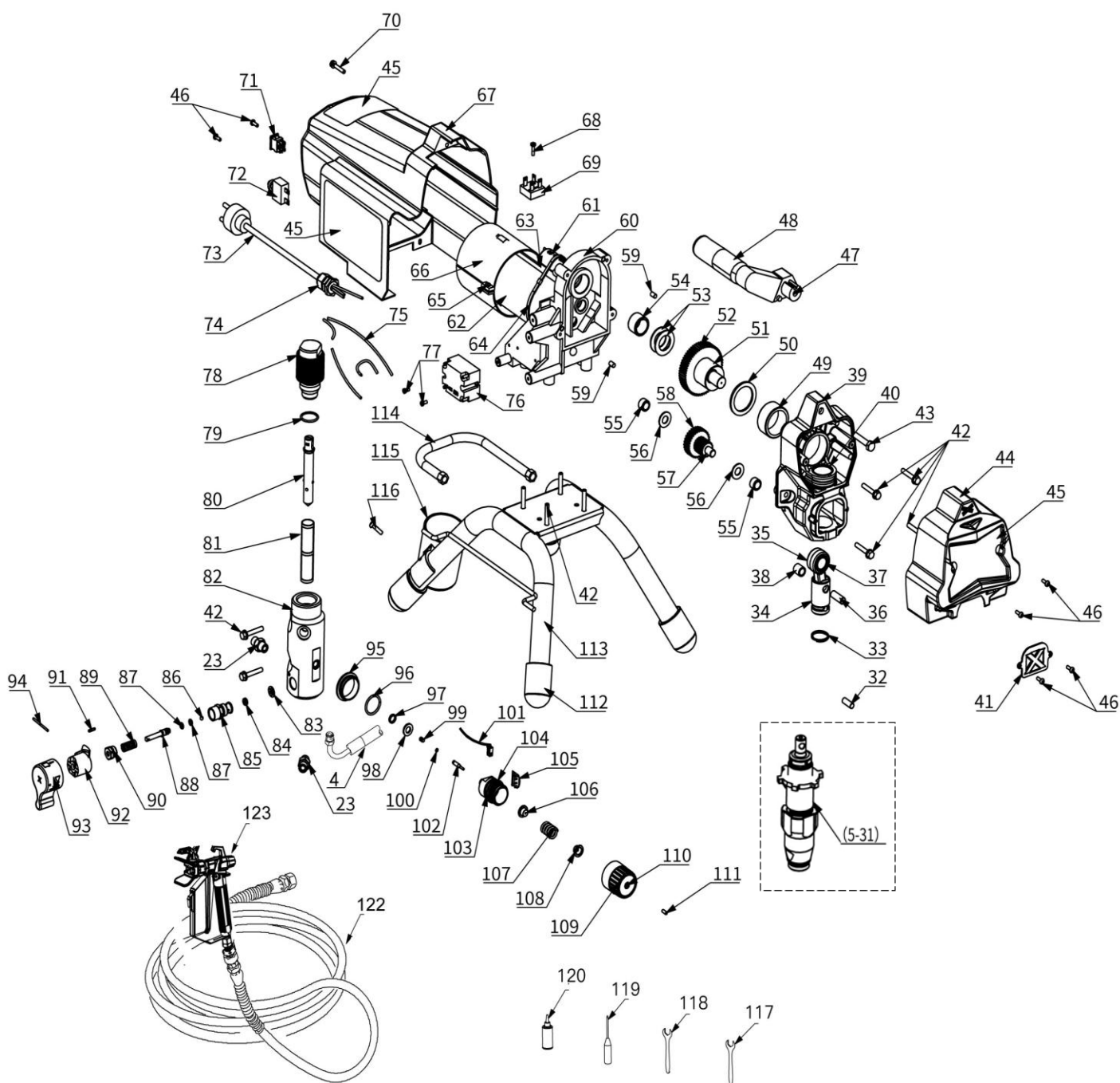


FIGUR 1



Pos	Art.	Varunamn	Item name	OE	st / qty
1-3	9069715	SUGSLANG, KOMPLETT	Suction tube, assy	1.16.05.06	1
2	N/A				
3	N/A				
4	9073790	Primerrör	Prime tube	1.16.05.08	1
5-31	N/A	PUMP, KOMPLETT	X24 fluid pump, assy	2.37.11	1
5	N/A		X24 Fluid pump	1.06.03.02	1
6	N/A	O-ring	X24 X32 O-ring	1.04.02.08	1
7	N/A		X24 X28 seat, carbide	1.08.02.03	1
8	N/A	Kula	X24 X32 ball, inlet	1.09.01.02	1
9	N/A		X24 X32 guide, ball	1.06.04.03	1
10	N/A	Ventil, kolv	X24 valve, piston	1.06.06.03	1
11	N/A		X24 X32 seat, piston valve	1.08.01.02	1
12	N/A		X24 guide, piston	1.04.02.10	1
13	N/A		X24 gland, female, piston	1.06.09.02	1
14	N/A	V-ring, kolv	X24 V-packing, piston	1.04.02.09	3
15	N/A	V-ring, läder	X24 V-packing, leather, piston	1.05.01.03	2
16	N/A		X24 gland, male, piston	1.06.09.03	1
17	N/A	Kula	X24 X32 ball	1.09.02.02	1
18	N/A	Kolvstång	X24 piston rod	1.06.05.05	1
19	N/A	O-ring, krage	X24 O-ring- sleeve	1.04.02.14	1
20	N/A	Krage, cylinder	X24 sleeve, cylinder	1.06.02.01	1
21	N/A	O-ring, krage	X24 O-ring- sleeve	1.04.02.11	1
22	N/A	Cylinder, pump	X24 cylinder, pump	1.06.03.01	1
23	N/A	Nippel, 1/4"	Nipple, 1/4"	1.06.07.01	1
24	N/A		X24 X28 gland, male, throat	1.06.09.04	1
25	N/A	V-ring, läder	X24 X28 V-packing, leather, throat	1.05.01.04	2
26	N/A	V-ring	X24 X28 V-packing, throat	1.04.02.13	3
27	N/A		X20-X28 gland, female, throat	1.06.09.15	1
28	N/A	O-ring	X20-X28 O-ring	1.05.01.09	1
29	N/A	Mutter	X24 X28 nut, packing	1.06.09.05	1
30	N/A	Bottenplugg	X24 X28 button, plug	1.05.02.01	1
31	N/A	Mutter	X24 X28 nut, jam, pump	1.01.06.09	1

FIGUR 2



Pos	Art.	Varunamn	Item name	OE	st / qty
32	N/A	Stift	X24-X32 pin, straight	1.01.06.06	1
33-38	9069720	KOMPLETT KOLV	COMPLETE STAMP	2.37.13	1
33	N/A	Låsring	X24-X32 clip, connecting rod	1.01.04.12	1
34	N/A	Kolv	X20-X32 piston, connecting rod	1.01.10.05	1
35	N/A	Kolvstång	X24-X32 rod, connecting	1.01.10.04	1
36	N/A	Låspinne	X24-X32 pin, straight	1.01.06.10	1
37	N/A	BHA1112ZOH	BHA1112ZOH	1.01.14.08	1
38	N/A	Bussning	X24-X32 bushing, connecting rod	1.03.04.05	1
39	N/A	Hölje	X20 X24 X28 housing, drive	1.02.08.01	1
40	N/A	Krage för kolvstång	X24-X32 sleeve, connecting rod	1.03.04.02	1
41	N/A	Dräneringsplugg	X20 button, plug	1.04.08.05	1
42	N/A	Skruv, M6x35	Screw M6X35	1.01.01.41	10
43	N/A	Bult, M8x40	Bolt M8X40	1.01.01.50	1
44	N/A	Kåpa	X24 front cover	1.04.01.25	1
45	N/A	Etikett X20	X20 label	1.18.02.35	1
46	N/A	Skruv, M4x12	Screw M4X12	1.01.01.38	6
47	N/A	Insats, handtag	X24-X32 insert, handle	1.03.03.12	1
48	N/A	Grepp, handtag	X24-X32 grip, handle	1.04.08.04	1
49	N/A	BA2414ZOH	BA2414ZOH	1.01.14.11	1
50-53	9069721	KOMPLETT REDUKTIONSVÄXEL	GEAR, REDUCER	2.37.02	1
50	N/A	Lager	X24-X32 bearing, throat	1.01.05.16	1
51	N/A	Axlar	X24 X28 eccentric shaft	1.01.06.07	1
52	N/A	Vevaxel	X24-X32 gear, crankshaft	1.01.13.03	1
53	N/A	Lager	X24-X32 bearing, thrust	1.01.05.17	2
54	N/A	BA1412ZOH	BA1412ZOH	1.01.14.10	1
55	N/A	BA77ZOH	BA77ZOH	1.01.14.09	2
56-57	9069719	KOMPLETT VÄXELAXEL	GEAR, CRANKSHAFT	2.37.03	1
56	N/A	Lager	X24-X32 bearing, thrust	1.01.05.18	3
57	N/A		X24-X32 gear shaft	1.01.13.08	1
58	N/A		X24-X32 gear, reducer	1.01.13.04	1
59	N/A	Stift	X24-X32 pin	1.06.11.04	2
60	N/A	Motorfäste	X20-20i support, motor	1.02.08.19	1
61	N/A	Batteri	X20 battery	1.07.05.31	1
62	N/A	Motor	X20 motor		1
63	N/A	Silikonplatta	X20 silicone pad	1.04.09.05	1
64	N/A	Kabelband	Nylon cable tie	1.15.05.06	1
65	N/A	Skruv, ST4,2x13	C-type screw ST4.2x13	1.01.01.96	2
66	N/A		X20i fan, motor	1.04.09.0002	1
67	9069723	Motorskydd	X20 shield, motor	1.04.01.29	1
68	N/A	Skruv, M4x16	Screw M4x16	1.01.01.48	1
69	9069722	Bro	X20 bridge	1.07.06.07	1
70	N/A	Skruv, M5x30	Screw M5x30	1.01.01.107	1
71	9069724	PÅ/AV-brytare	X20 ON/OFF switch	1.07.04.07	1
72	9069725	Relä/brytare	X20 RCD	1.07.04.09	1
73	N/A	Kontakt	X20 power plug	1.07.02.30	1

Pos	Art.	Varunamn	Item name	OE	st / qty
74	N/A	Vattentät anslutning	PG11 wire waterproof connector	1.04.05.12	1
75	N/A		X20 connecting line	1.07.02.31	1
76	9069726	Relä	X20 relay	1.07.06.09	1
77	N/A	Skruv, M4x8	Screw M4x8	1.01.01.87	2
23,42, 78-82	9069716	KOMPLETT PUMPMANIFOLD	MANIFOLD PUMP FILTER ASSEMBLY	2.37.34	1
23	N/A	Nippel, 1/4"	Nipple, 1/4"	1.06.07.01	1
42	N/A	Skruv, M6x35	Screw M6X35	1.01.01.41	10
78	N/A	Lock, manifold	X24-32 cap, manifold	1.02.05.04	1
79	N/A	O-ring	X24 -X32 O-ring, manifold	1.04.02.07	1
80	9073568	Filterinsats	X24-X32 insert, filter	1.04.08.08	1
81	9073569	Inloppsfilter, nät 60	X24-X32 filter, fluid, 60 mesh	1.16.05.25	1
82	N/A	Manifold	X20 manifold	1.02.05.10	1
83-94	9069717	KOMPLETT VENTIL	BYPASS VALVE	2.37.09	1
83	N/A	Packning	Gasket	1.04.02.54	1
84	N/A	Ventillager	X51L seat, valve, drain	1.08.03.02	1
85	N/A	Dräneringsventil	X51L valve, drain	1.06.06.09	1
86	N/A	Kula för dräneringsventil	X51L ball, valve, drain	1.09.03.02	1
87	N/A	O-ring för dräneringsventil	X51L O-ring, valve, drain	1.05.01.07	1
88	N/A		X51L steam, valve, drain	1.06.11.09	1
89	N/A	Fjäder för dräneringsventil	X51L spring, valve, drain	1.01.04.17	1
90	N/A		X51L handle, valve, drain	1.01.06.23	1
91	N/A		Pin, drain valve	1.01.04.14	1
92	N/A		X51L base, valve	1.04.04.08	1
93	N/A	Primerventil (vridknapp)	X51L handle, valve, drain	1.04.04.07	1
94	N/A	Stift med spår	X51L pin, grooved	1.06.11.08	1
95- 111	9069718	KOMPLETT TRYCKREGULATOR	PRESSURE REGULATOR	2.37.12	1
95	N/A	Krage	Inner sleeve, pressure valve	1.04.03.02	1
96	N/A	O-ring	O-ring	1.05.01.06	1
97	N/A	Packning	Gasket	1.04.02.36	1
98	N/A	Aluminiumspackning	Alu. gasket	1.01.05.0150	1
99	N/A	Plastspiral	Plastic spool	1.04.03.01	1
100	N/A	O-ring	O-ring	1.05.01.02	1
101	N/A	Mikrobrytare	Micro switch	1.07.04.08	1
102	N/A	Tryckstång	Rod, pressure valve	1.06.11.02	1
103	N/A	Krage	Sleeve	1.04.03.05	1
104	N/A	Gängad bricka	Threaded ring	1.03.02.01	1
105	N/A	Platta, tryckventil	Plate, pressure valve	1.04.03.03	1
106	N/A	Tryckskiva	Pressure ring	1.03.02.03	1
107	N/A	Fjäder	Spring	1.01.04.03	1
108	N/A	Bricka	Ring	1.03.02.04	1
109	N/A	Tryckregulator	Knob, pressure valve	1.04.03.06	1
110	N/A	Justeringskiva	Adjusting threaded ring	1.03.02.02	1

111	N/A	Skruv, M4-12	Screw M4-12	1.01.01.08	1
112	N/A	Gummifötter	X24-X32 cap, leg	1.04.08.10	4
Pos	Art.	Varunamn	Item name	OE	st / qty
113	N/A	Ram	X24-X28 frame, standmount	1.01.02.07	1
114	N/A	Slang	X24-X32 hose	1.16.05.34	1
115	N/A	Kopp	Cup	1.04.01.28	1
116	N/A	Bult, M5x20	Screw M5x20	1.01.01.40	1
117	N/A	Nyckel 17/19	Wrench 17/19	1.16.02.08	1
118	N/A	Nyckel 19/22	Wrench 19/22	1.16.02.09	1
119	N/A	Mejsel	X20-X32 screwdriver	1.16.02.06	1
120	N/A	Olja	Lubricating oil	1.16.03.02	1
122	9039117	Högtrycksslang. 15 m	High-pressure hose, 15 m	6.51.04.0020	1
123	9058760	Pistol	Spray gun	3.X450	1

Ej illustrerat

Pos	Art.	Varunamn	Item name	OE	st / qty
-	9071310	Manometer m/T-koppling	Pressure gauge w/tee coupler	MANOMETER FOR X20	1

MUNSTYCKE och FILTER

MUNSTYCKE

OE	Art.	Varunamn	Item name
DP637TT-211	9051358	Munstycke # 211	Nozzle # 211
DP637TT-311	9051359	Munstycke # 311	Nozzle # 311
DP637TT-313	9051360	Munstycke # 313	Nozzle # 313
DP637T-417O	9039121	Munstycke # 417	Nozzle # 417
DP637T-515	9039119	Munstycke # 515	Nozzle # 515
DP637T-517G	9039120	Munstycke # 517	Nozzle # 517
DP-637TX-521	9069300	Munstycke # 521	Nozzle # 521

INGÅNGSFILTER

- ju högre maskantal, desto finare är filtrets maskstorlek

OE	Art.	Varunamn	Item name
DP637F-30	9037980	Grønt, mesh 30	Filter, mesh 30
DP637F-60	9039116	Rødt, mesh 60	Filter, mesh 60
DP637F-100	9051360	Gult, mesh 100	Filter, mesh 100
DP637F-150	9064034	Hvidt, mesh 150	Filter, mesh 150

Vi förbehåller oss rätten att ändra de tekniska parametrarna och specifikationerna för denna produkt utan föregående meddelande.