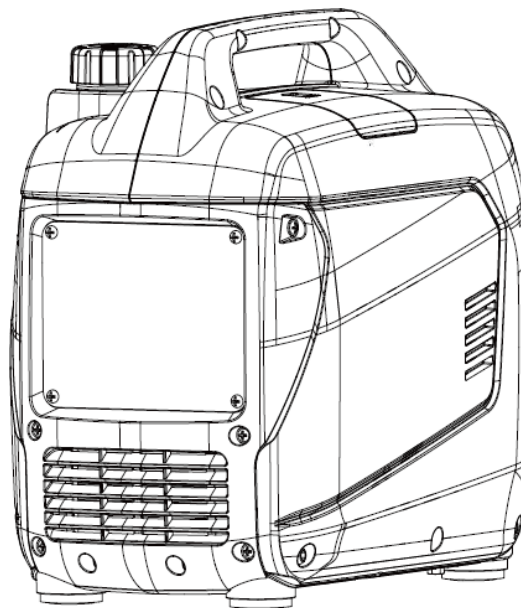


# SENCI BENZINGENERATOR, INVERTER

SC1400I

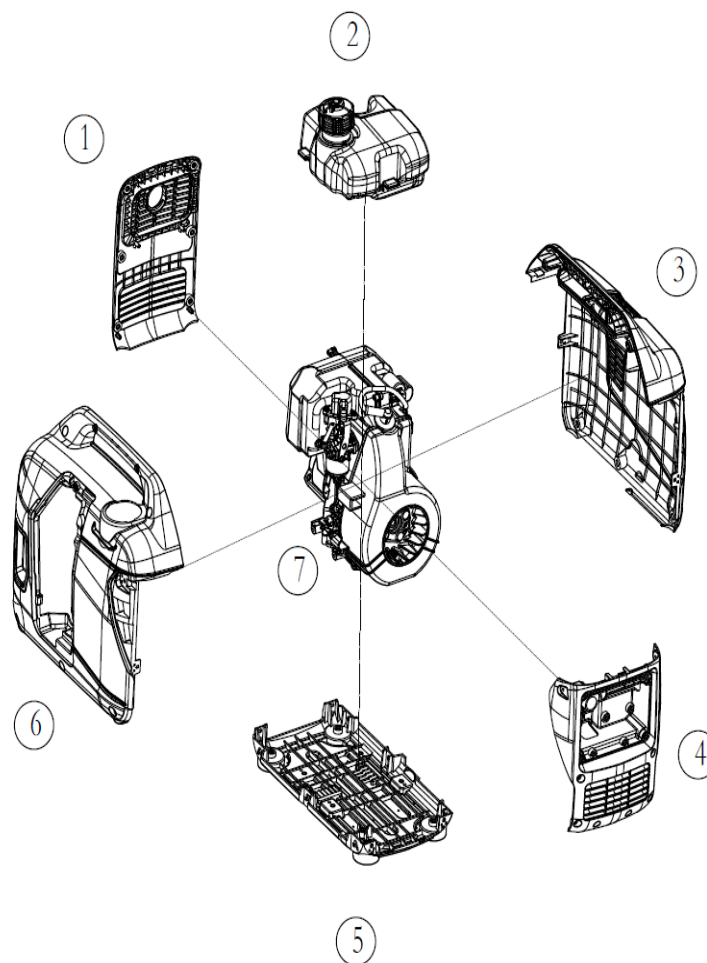
Reservedelskatalog til  
9072356



**SENCI**®

25.03.2026 (V1)

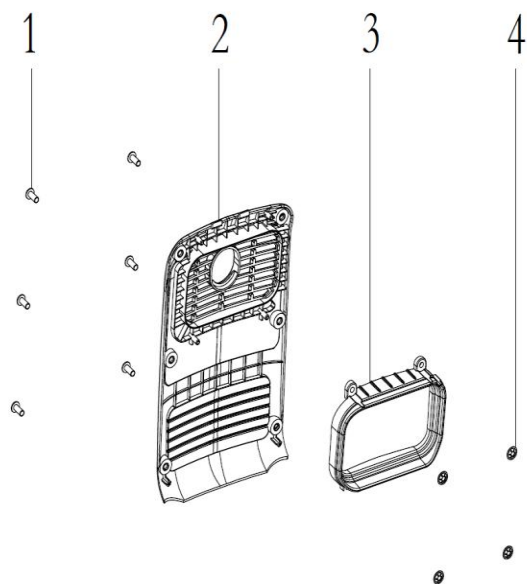
FIGUR 1 (hele generatoren)



DELE TIL FIGUR 1

| Pos | Varenr / item no. | Varenavn                     | Item name                       | OE             | stk/pcs |
|-----|-------------------|------------------------------|---------------------------------|----------------|---------|
| 1   | N/A               | Luftudtag - cover            | AIR OUTLET COVER PLATE ASSEMBLY | 33013-00695-00 | 1       |
| 2   | N/A               | Brændstoftank, komplet       | FUEL TANK ASSEMBLY              | 20130-00663-00 | 1       |
| 3   | N/A               | Generatorhus, højre side     | MACHINE RIGHT HOUSING ASSEMBLY  | 33013-00696-00 | 1       |
| 4   | N/A               | Luftindtag, inverter – cover | INVERTER AIR INTAKE COVER       | 33013-00574-00 | 1       |
| 5   | N/A               | Generatorhus, bund           | BASEBOARD ASSEMBLY              | 33089-00505-00 | 1       |
| 6   | N/A               | Generatorhus, venstre side   | MACHINE LEFT HOUSING ASSEMBLY   | 33013-00697-00 | 1       |
| 7   | N/A               | Motor, komplet               | ENGINE ASSEMBLY                 | 20260-05568-17 | 1       |

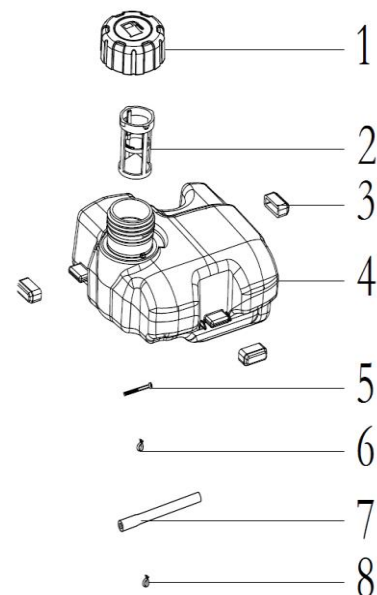
FIGUR 2



DELE TIL FIGUR 2

| Pos | Varenr / item no. | Varenavn             | Item name                        | OE             | stk/pcs |
|-----|-------------------|----------------------|----------------------------------|----------------|---------|
| 1   | N/A               | Skrue                | CROSS RECESSED PAN HEAD SCREW    | 30111-00088-00 | 6       |
| 2   | N/A               | Lyddæmper cover      | MUFFLER OUTLET COVER PLATE       | 33013-00569-00 | 1       |
| 3   | N/A               | Lyddæmper gummikrave | MUFFLER AIR OUTLET RUBBER SLEEVE | 33015-00200-00 | 1       |
| 4   | N/A               | Snaplås, metal       | STEEL WIRE SNAP RINGS FOR HOLE   | 30150-00026-00 | 4       |

FIGUR 3



DELE TIL FIGUR 3

| Pos | Varenr / item no. | Varenavn        | Item name                  | OE             | stk/pcs |
|-----|-------------------|-----------------|----------------------------|----------------|---------|
| 1   | 9075531           | Tankdæksel      | OIL TANK COVER             | 20131-00065-00 | 1       |
| 2   | 9075533           | Filter si       | OIL TANK FILTER SCREEN     | 34037-00001-02 | 1       |
| 3   | N/A               | Gummibøsning    | OIL TANK LUG RUBBER SLEEVE | 33015-00023-00 | 3       |
| 4   | N/A               | Brændstoftank   | FUEL TANK                  | 20130-00663-00 | 1       |
| 5   | N/A               | Skrue           | FILTER SCREEN ASSEMBLY     | 70010-01920-00 | 1       |
| 6   | N/A               | Spændebånd      | CLAMP                      | 34024-00003-00 | 1       |
| 7   | N/A               | Brændstofslange | FUEL PIPE                  | 34023-00366-00 | 1       |
| 8   | N/A               | Spændebånd      | CLAMP                      | 34024-00062-00 | 1       |

Kontakt

Tlf Salgsafdeling: 7021 2626

Tlf Teknisk support: 7696 2326

P. Lindberg A/S

Sdr. Ringvej 1

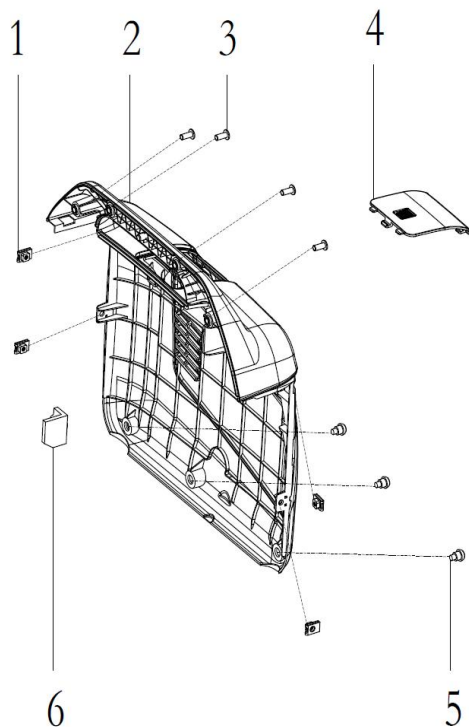
DK – 6600 Vejen

SENCi 9072356 DKV1

www.p-lindberg.dk

e-mail: salg@p-lindberg.dk

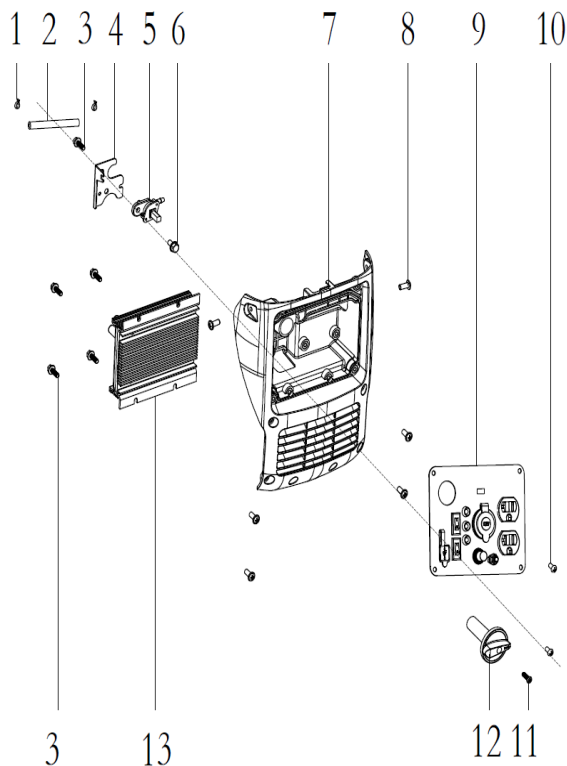
FIGUR 4



DELE TIL FIGUR 4

| Pos | Varenr / item no. | Varenavn           | Item name                                 | OE             | stk/pcs |
|-----|-------------------|--------------------|---|----------------|---------|
| 1   | N/A               | Clipsmøtrik        | <i>CLAMP NUT</i>                          | 34024-00105-00 | 4       |
| 2   | N/A               | Højre side, hus    | <i>MACHINE RIGHT HOUSING</i>              | 33013-00696-00 | 1       |
| 3   | N/A               | Skrue              | <i>CROSS RECESSED PAN HEAD SCREW</i>      | 30111-00088-00 | 4       |
| 4   | N/A               | Plade over tændrør | <i>SPARK PLUG MAINTENANCE COVER PLATE</i> | 33013-00572-00 | 1       |
| 5   | N/A               | Bolt               | <i>HEXANGON SOCKET HEAD BOLT</i>          | 30114-00033-00 | 3       |
| 6   | N/A               | Afstandsstykke     | <i>TANK HEAD POSITIONING PAD</i>          | 33275-00167-00 | 1       |

FIGUR 5



DELE TIL FIGUR 5

| Pos | Varenr / item no. | Varenavn              | Item name                     | OE             | stk/pcs |
|-----|-------------------|-----------------------|-------------------------------|----------------|---------|
| 1   | N/A               | Clamp                 | CLAMP                         | 34024-00002-00 | 2       |
| 2   | N/A               | Brændstofslange       | FUEL PIPE                     | 34023-00337-00 | 1       |
| 3   | N/A               | Flangebolt            | HEXAGON FLANGE BOLT           | 30101-00066-00 | 5       |
| 4   | N/A               | Beslag for kontakt    | SWITCH BRACKET                | 20014-00850-00 | 1       |
| 5   | N/A               | Benzinhane            | FUEL TANK SWITCH              | 20133-00029-00 | 1       |
| 6   | N/A               | Flangebolt            | HEXAGON FLANGE BOLT           | 30101-00070-00 | 1       |
| 7   | N/A               | Luftindtag cover      | AIR INLET COVER PLATE         | 33013-00574-00 | 1       |
| 8   | N/A               | Skrue                 | CROSS RECESSED PAN HEAD SCREW | 30111-00088-00 | 6       |
| 9   | N/A               | Kontrolpanel, komplet | CONTROL PANEL ASSEMBLY        | 20114-08729-00 | 1       |
| 10  | N/A               | Skrue                 | CROSS RECESSED PAN HEAD SCREW | 30111-00008-00 | 4       |
| 11  | N/A               | Skrue                 | CROSS RECESSED PAN HEAD SCREW | 30111-00023-00 | 1       |
| 12  | N/A               | Håndtag, benzinbane   | OIL SWITCH KNOB               | 31026-00121-02 | 1       |
| 13  | N/A               | Inverter komponent    | INVERTER COMPONENT            | 20136-00474-02 | 1       |

Kontakt

Tlf Salgsafdeling: 7021 2626

Tlf Teknisk support: 7696 2326

P. Lindberg A/S

Sdr. Ringvej 1

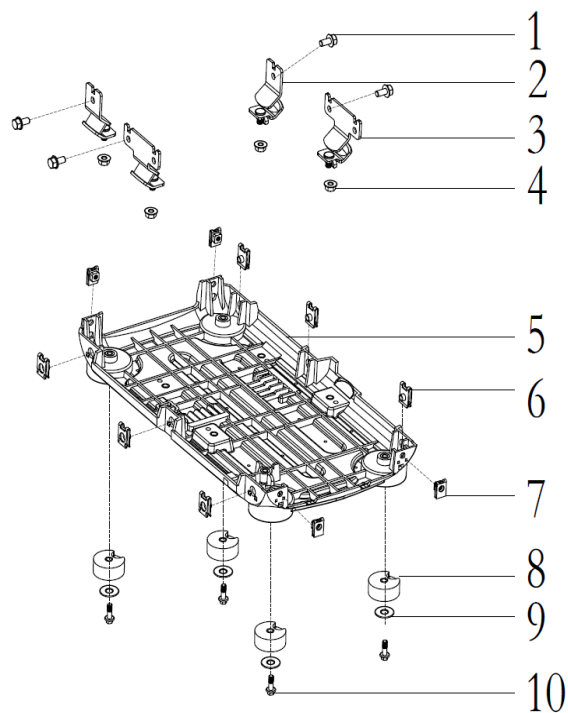
DK – 6600 Vejen

SENCI 9072356 DKV1

www.p-lindberg.dk

e-mail: salg@p-lindberg.dk

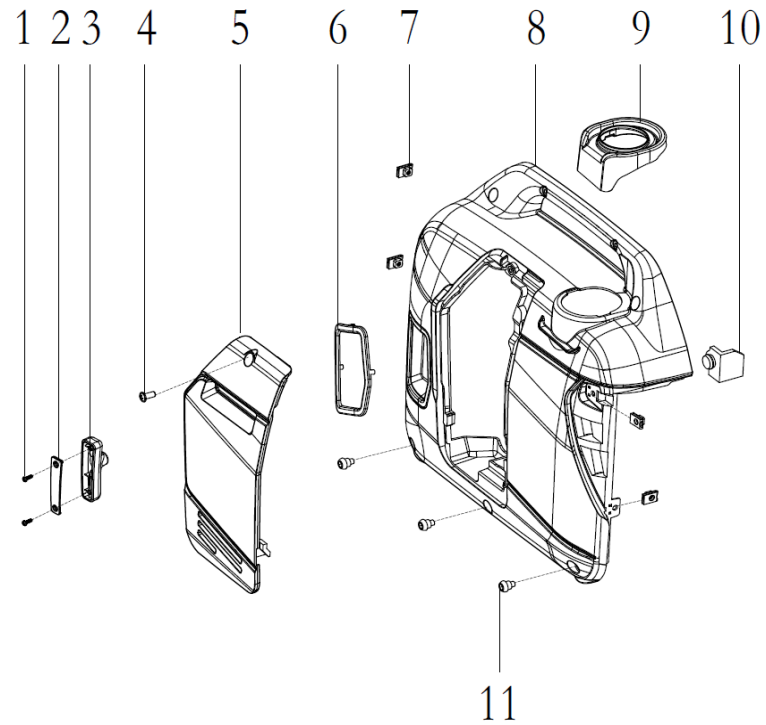
FIGUR 6



DELE TIL FIG 6

| Pos | Varenr / item no. | Varenavn     | Item name                | OE             | stk/pcs |
|-----|-------------------|--------------|--------------------------|----------------|---------|
| 1   | N/A               | Flangebolt   | HEXAGON FLANGE BOLT      | 30101-00070-00 | 4       |
| 2   | N/A               | Dæmperplade  | SHOCK ABSORBER BASE      | 34030-00230-00 | 2       |
| 3   | N/A               | Dæmperplade  | SHOCK ABSORBER BASE      | 34030-00231-00 | 2       |
| 4   | N/A               | Flangemøtrik | HEXAGON FLANGE NUT       | 30125-00002-00 | 4       |
| 5   | N/A               | Bundplade    | POWER BOTTOM PLATE       | 33089-00505-00 | 1       |
| 6   | N/A               | Clipsmøtrik  | CLAMP NUT                | 34024-00085-00 | 6       |
| 7   | N/A               | Clipsmøtrik  | CLAMP NUT                | 34024-00105-00 | 4       |
| 8   | N/A               | Gummibøsning | MACHINE SHELL RUBBER PAD | 33275-00122-00 | 4       |
| 9   | N/A               | Planskive    | FLAT WASHER              | 30136-00113-00 | 4       |
| 10  | N/A               | Flangebolt   | HEXAGON FLANGE BOLT      | 30101-00042-00 | 4       |

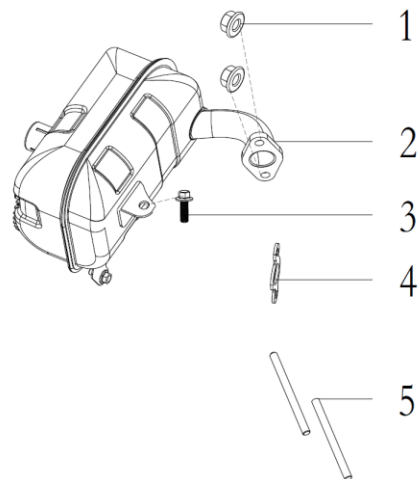
FIGUR 7



DELE TIL FIGUR 7

| Pos | Varenr / item no. | Varenavn                     | Item name                            | OE             | stk/pcs |
|-----|-------------------|------------------------------|--------------------------------------|----------------|---------|
| 1   | N/A               | Skrue                        | <i>CROSS RECESSED PAN HEAD SCREW</i> | 30117-00052-00 | 2       |
| 2   | N/A               | Cover for rekylstart håndtag | <i>HANDLE COVER PLATE</i>            | 20184-00044-00 | 1       |
| 3   | 9075534           | Rekylstart håndtag           | <i>PULL HANDLE ASSEMBLY</i>          | 20184-00043-00 | 1       |
| 4   | N/A               | Skrue                        | <i>CROSS RECESSED PAN HEAD SCREW</i> | 30111-00088-00 | 1       |
| 5   | N/A               | Cover, venstre side          | <i>LEFT COVER PLATE</i>              | 33013-00573-00 | 1       |
| 6   | N/A               | Pakning                      | <i>PROTECTION RING STARTER</i>       | 33014-01599-00 | 1       |
| 7   | N/A               | Clipsmøtrik                  | <i>CLAMP NUT</i>                     | 34024-00105-00 | 4       |
| 8   | N/A               | Venstre side, hus – komplet  | <i>MACHINE LEFT HOUSING ASSEMBLY</i> | 33013-00697-00 | 1       |
| 9   | N/A               | Afstandsstykke               | <i>FUEL PUMP SPACER</i>              | 33015-00201-00 | 1       |
| 10  | N/A               | Afstandsstykke               | <i>TANK HEAD POSITIONING PAD</i>     | 33275-00167-00 | 1       |
| 11  | N/A               | Bolt                         | <i>HEXANGO SOCKET HEAD BOLT</i>      | 30114-00033-00 | 3       |

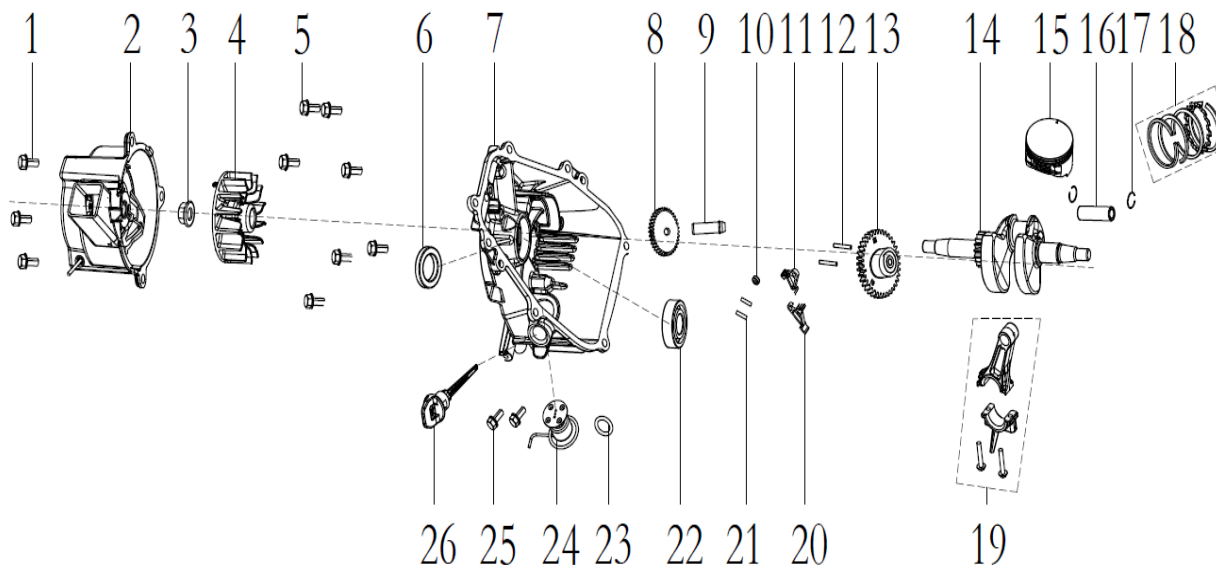
FIGUR E1



DELE TIL FIGUR E1

| Pos | Varenr / item no. | Varenavn                  | Item name                    | OE             | stk/pcs |
|-----|-------------------|---------------------------|------------------------------|----------------|---------|
| 1   | N/A               | Møtrik                    | HEXAGONAL NUT                | 30121-00038-00 | 2       |
| 2   | N/A               | Lyddæmper                 | MUFFLER COMPONENT            | 20202-00658-00 | 1       |
| 3   | N/A               | Flangebolt                | FLANGE HEX HEAD BOLT         | 30101-00401-00 | 1       |
| 4   | N/A               | Pakning, udstødning       | EXHAUST VALVE GASKET         | 33048-00498-00 | 1       |
| 5   | N/A               | Støttebolt ved udstødning | EXHAUST DOUBLE-END STUD BOLT | 30110-00024-00 | 2       |

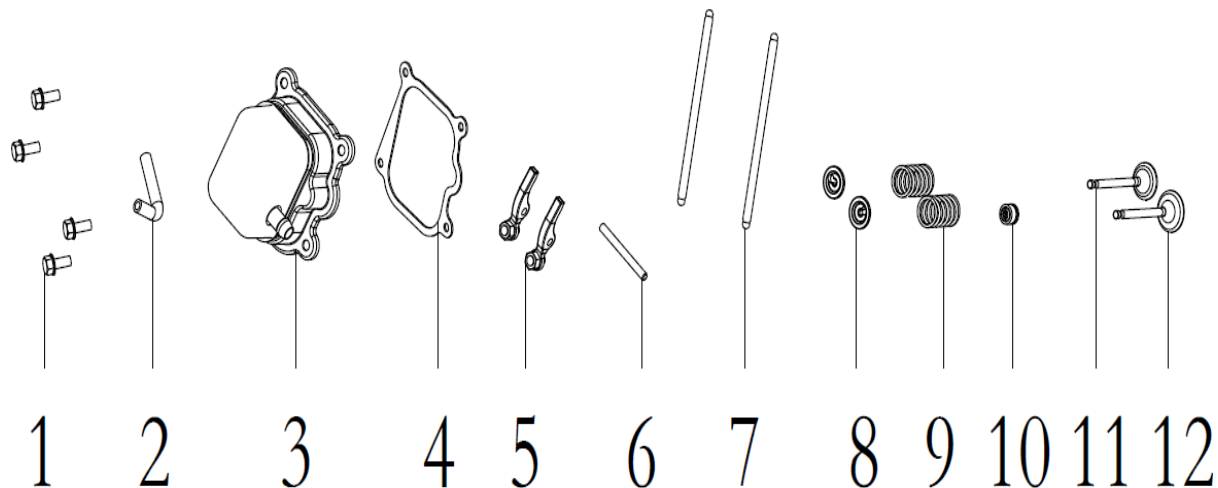
FIGUR E2



## DELE TIL FIGUR E2

| Pos | Varenr / item no. | Varenavn                     | Item name                      | OE             | stk/pcs |
|-----|-------------------|------------------------------|--------------------------------|----------------|---------|
| 1   | N/A               | Flangebolt                   | FLANGE HEX HEAD BOLT           | 30101-00068-00 | 3       |
| 2   | N/A               | Rekylstart                   | RECOIL STARTER                 | 20010-00415-01 | 1       |
| 3   | N/A               | Flangemøtrik                 | FLANGE HEX HEAD NUT            | 30125-00009-00 | 1       |
| 4   | N/A               | Blæser                       | FAN                            | 33155-00161-00 | 1       |
| 5   | N/A               | Flangebolt                   | FLANGE HEX HEAD BOLT           | 30101-00830-00 | 6       |
| 6   | N/A               | Pakdåse                      | OIL SEAL                       | 34007-00116-00 | 1       |
| 7   | N/A               | Krumtaphus                   | CRANKCASE COVER                | 33129-00099-01 | 1       |
| 8   | N/A               | Drivhjul                     | OIL-THROWING GEAR SHAFT        | 20013-00027-00 | 1       |
| 9   | N/A               | Drivaksel                    | OIL-THROWING GEAR SHAFT        | 30134-00038-00 | 1       |
| 10  | N/A               | Bøsning                      | LOWER ROCKER BUSHING           | 34032-00117-00 | 1       |
| 11  | N/A               | Indsugningsventil, vippearms | INTAKE VALVE LOWER ROCKER ARM  | 34019-00051-00 | 1       |
| 12  | N/A               | Aksel                        | LOWER ROCKER SHAFT             | 30134-00023-00 | 2       |
| 13  | N/A               | Knastaksel                   | CAMSHAFT ASSEMBLY              | 20012-00054-00 | 1       |
| 14  | N/A               | Krumtap, komplet             | CRANKSHAFT ASSEMBLY            | 20011-00301-00 | 1       |
| 15  | N/A               | Stempel                      | PISTON                         | 34004-00108-00 | 1       |
| 16  | N/A               | Stift v/stempel              | PISTON PIN                     | 34006-00138-00 | 1       |
| 17  | N/A               | Låsering v/stempel           | PISTON PIN CIRCLIP             | 30150-00117-00 | 2       |
| 18  | N/A               | Stempelringe, komplet        | PISTON RING ASSEMBLY           | 20084-00139-00 | 1       |
| 19  | N/A               | Forbindelsesstang            | CONNECTING ROD ASSEMBLY        | 20008-00056-00 | 1       |
| 20  | N/A               | Udstødningsventil, vippearms | EXHAUST VALVE LOWER ROCKER ARM | 34019-00052-00 | 1       |
| 21  | N/A               | Kile                         | CYLINDRICAL PIN                | 34006-00204-00 | 2       |
| 22  | N/A               | Kugteleje                    | DEEP GROOVE BALL BEARING       | 30141-00112-00 | 1       |
| 23  | N/A               | O-ring / pak ring            | O SEAL RING                    | 33048-00584-00 | 1       |
| 24  | N/A               | Oliemåler                    | OIL SENSOR                     | 33247-00024-00 | 1       |
| 25  | N/A               | Flangebolt                   | FLANGE HEX HEAD BOLT           | 30101-00070-00 | 2       |
| 26  | N/A               | Oliepind                     | OIL DIPSTICK ASSEMBLY          | 20026-00064-00 | 1       |

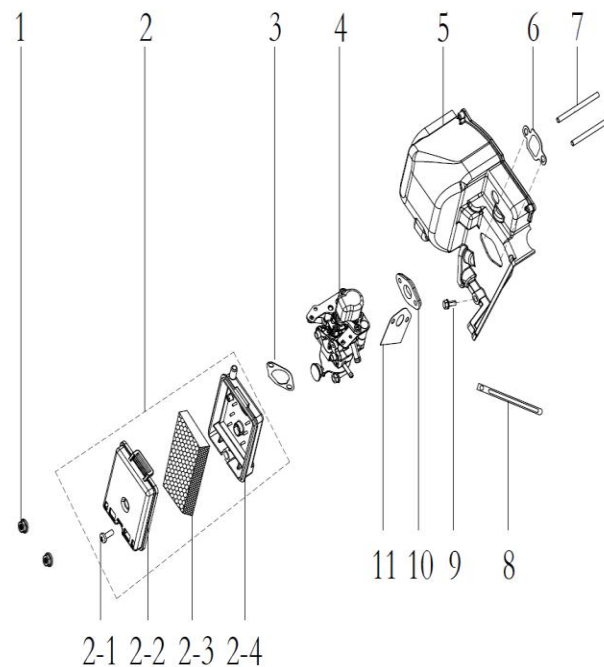
FIGUR E3



DELE TIL FIGUR E3

| Pos | Varenr / item no. | Varenavn          | Item name                     | OE             | stk/pcs |
|-----|-------------------|-------------------|-------------------------------|----------------|---------|
| 1   | N/A               | Flangebolt        | HEXAGON FLANGE BOLTS          | 30101-00066-00 | 4       |
| 2   | N/A               | Udluftningsrør    | WASTE PIPE                    | 34023-00016-00 | 1       |
| 3   | N/A               | Toppakning, cover | CYLINDER COVER ASSEMBLY       | 20021-00072-00 | 1       |
| 4   | N/A               | Cylinderpakning   | CYLINDER HEAD GASKET          | 33048-00495-00 | 1       |
| 5   | N/A               | Vippearm, øvre    | UPPER ROCKER ARM              | 34019-00053-00 | 2       |
| 6   | N/A               | Vippeaksel, øvre  | UPPER ROCKER SHAFT            | 30134-00024-00 | 1       |
| 7   | N/A               | Plejlstang        | VALVE PUSH ROD                | 34020-00039-00 | 2       |
| 8   | N/A               | Ventillås         | VALVE SPRING BASE             | 34016-00112-00 | 2       |
| 9   | N/A               | Ventilfjeder      | VALVE SPRING                  | 34015-00105-00 | 2       |
| 10  | N/A               | Ventil            | INLET VALVE OIL BAFFLE SHROUD | 34018-00016-00 | 1       |
| 11  | N/A               | Udstødningsventil | EXHAUST VALVE                 | 34013-00122-00 | 1       |
| 12  | N/A               | Indsugningsventil | INLET VALVE                   | 34013-00121-00 | 1       |

FIGUR E4



DELE TIL FIGUR E4

| Pos | Varenr / item no. | Varenavn                      | Item name                       | OE             | stk/pcs |
|-----|-------------------|-------------------------------|---------------------------------|----------------|---------|
| 1   | N/A               | Flangemøtrik                  | FLANGE HEX HEAD NUT             | 30125-00002-00 | 2       |
| 2   | N/A               | Luftfilterhus, komplet        | AIR CLEANER ASSEMBLY            | 20025-00223-00 | 1       |
| 2-1 | N/A               | Låsebolt til luftfilterhus    | AIR CLEANER LOCKING BOLT        | 70010-03750-00 | 1       |
| 2-2 | N/A               | Cover til luftfilter, front   | AIR CLEANER COVER ASSEMBLY      | 70010-03749-00 | 1       |
| 2-3 | 9075535           | Luftfilter                    | FOAM CLEANER ELEMENT            | 34037-00348-00 | 1       |
| 2-4 | N/A               | Cover til luftfilter, bag     | AIRCLEANER BASE                 | 70010-03748-00 | 1       |
| 3   | 9075536           | Pakning V/ luftfilter         | AIR CLEANER GASKET              | 33048-00499-00 | 1       |
| 4   | N/A               | Karburator, komplet           | CARBURETOR ASSEMBLY             | 20024-00470-01 | 1       |
| 5   | N/A               | Blæserskjold, luftindtag side | INLET HEAD FAN COVER            | 34021-00270-00 | 1       |
| 6   | 9075537           | Pakning, V/karburator         | AIR INLET GASKET                | 33048-00496-00 | 1       |
| 7   | N/A               | Støttebolt ved luftindtag     | AIR INLET DOUBLE-END STUD BOLTS | 30110-00113-00 | 2       |
| 8   | N/A               | Metal clamp                   | METAL CLAMP                     | 34024-00004-00 | 1       |
| 9   | N/A               | Flangebolt                    | FLANGE HEX HEAD BOLT            | 30101-00066-00 | 1       |
| 10  | N/A               | Plade                         | CARBURETOR CONNECTING BLOCK     | 34012-00051-00 | 1       |
| 11  | N/A               | Pakning karburator/cylinder   | CARBURETOR GASKET               | 33048-00497-00 | 1       |

Kontakt

Tlf Salgsafdeling: 7021 2626

Tlf Teknisk support: 7696 2326

P. Lindberg A/S

Sdr. Ringvej 1

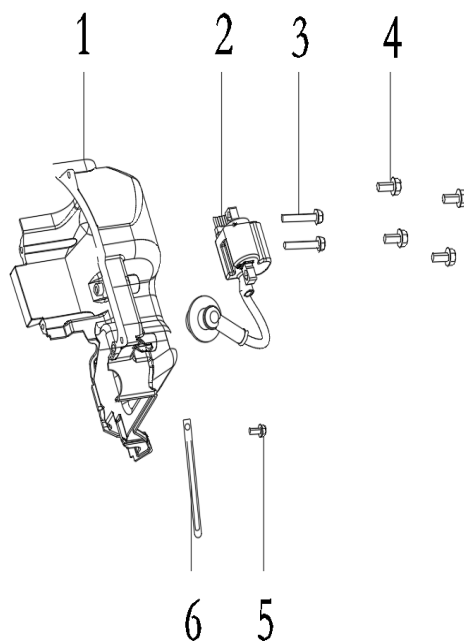
DK – 6600 Vejen

SENC I 9072356 DKV1

[www.p-lindberg.dk](http://www.p-lindberg.dk)

e-mail: salg@p-lindberg.dk

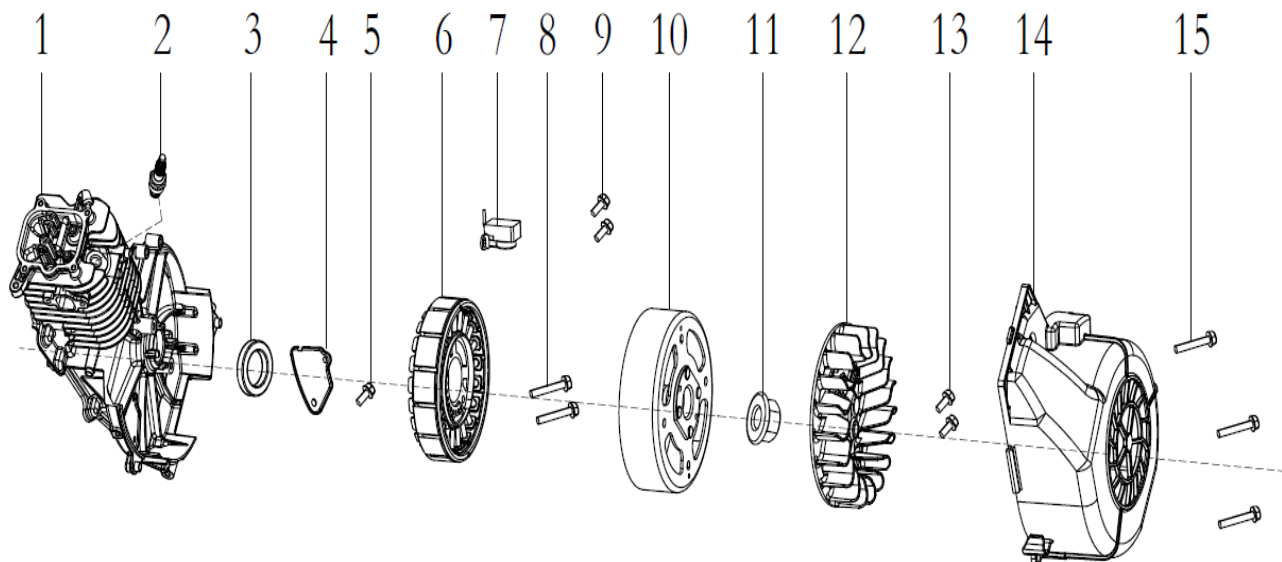
FIGUR E5



DELE TIL FIGUR E5

| Pos | Varenr / item no. | Varenavn                     | Item name                                     | OE             | stk/pcs |
|-----|-------------------|------------------------------|---|----------------|---------|
| 1   | N/A               | Blæserskjold, luftudtag side | <i>EXHAUST FAN COVER</i>                      | 34021-00273-00 | 1       |
| 2   | 9075538           | Tændspole                    | <i>IGNITION COIL</i>                          | 31013-00140-00 | 1       |
| 3   | N/A               | Flangebolt                   | <i>FLANGE HEX HEAD BOLT</i>                   | 30101-00342-00 | 2       |
| 4   | N/A               | Skrue                        | <i>CROSS RECESSED PAN HEAD TAPPING SCREWS</i> | 30117-00001-00 | 4       |
| 5   | N/A               | Flangebolt                   | <i>FLANGE HEX HEAD BOLT</i>                   | 30101-00066-00 | 1       |
| 6   | N/A               | Metal clamp                  | <i>METAL CLAMP</i>                            | 34024-00004-00 | 1       |

FIGUR E6



DELE TIL FIGUR E6

| Pos | Varenr / item no. | Varenavn           | Item name            | OE             | stk/pcs |
|-----|-------------------|--------------------|----------------------|----------------|---------|
| 1   | N/A               | Krumtaphus         | CRANKCASE BODY       | 34011-00174-00 | 1       |
| 2   | N/A               | Tændrør            | SPARK PLUG           | 20027-00023-00 | 1       |
| 3   | N/A               | Pakdåse            | OIL SEAL             | 34007-00115-00 | 1       |
| 4   | N/A               | Strammeskive       | TENSION DISC         | 33593-00421-00 | 1       |
| 5   | N/A               | Flangebolt         | FLANGE HEX HEAD BOLT | 30101-00066-00 | 1       |
| 6   | N/A               | Stator             | ALTERNATOR STATOR    | 20005-00284-00 | 1       |
| 7   | 9075539           | Spændingsregulator | TRIGGER              | 20028-00137-00 | 1       |
| 8   | N/A               | Flangebolt         | FLANGE HEX HEAD BOLT | 30101-00530-00 | 2       |
| 9   | N/A               | Flangebolt         | FLANGE HEX HEAD BOLT | 30101-00070-00 | 2       |
| 10  | N/A               | Rotor              | ALTERNATOR ROTOR     | 20006-00167-00 | 1       |
| 11  | N/A               | Flangemøtrik       | FLANGE HEX HEAD NUT  | 30125-00009-00 | 1       |
| 12  | N/A               | Blæservinge        | IMPELLER             | 33099-00228-00 | 1       |
| 13  | N/A               | Flangebolt         | FLANGE HEX HEAD BOLT | 30101-00070-00 | 2       |
| 14  | N/A               | Blæserskjold       | FAN COVER            | 34021-00272-00 | 1       |
| 15  | N/A               | Flangebolt         | FLANGE HEX HEAD BOLT | 30101-00068-00 | 3       |

Vi forbeholder os ret til uden foregående varsel at ændre de tekniske parametre og specifikationer for dette produkt

Kontakt  
 Tlf Salgsafdeling: 7021 2626  
 Tlf Teknisk support: 7696 2326

P. Lindberg A/S  
 Sdr. Ringvej 1  
 DK – 6600 Vejen

SENCI 9072356 DKV1  
 www.p-lindberg.dk  
 e-mail: salg@p-lindberg.dk